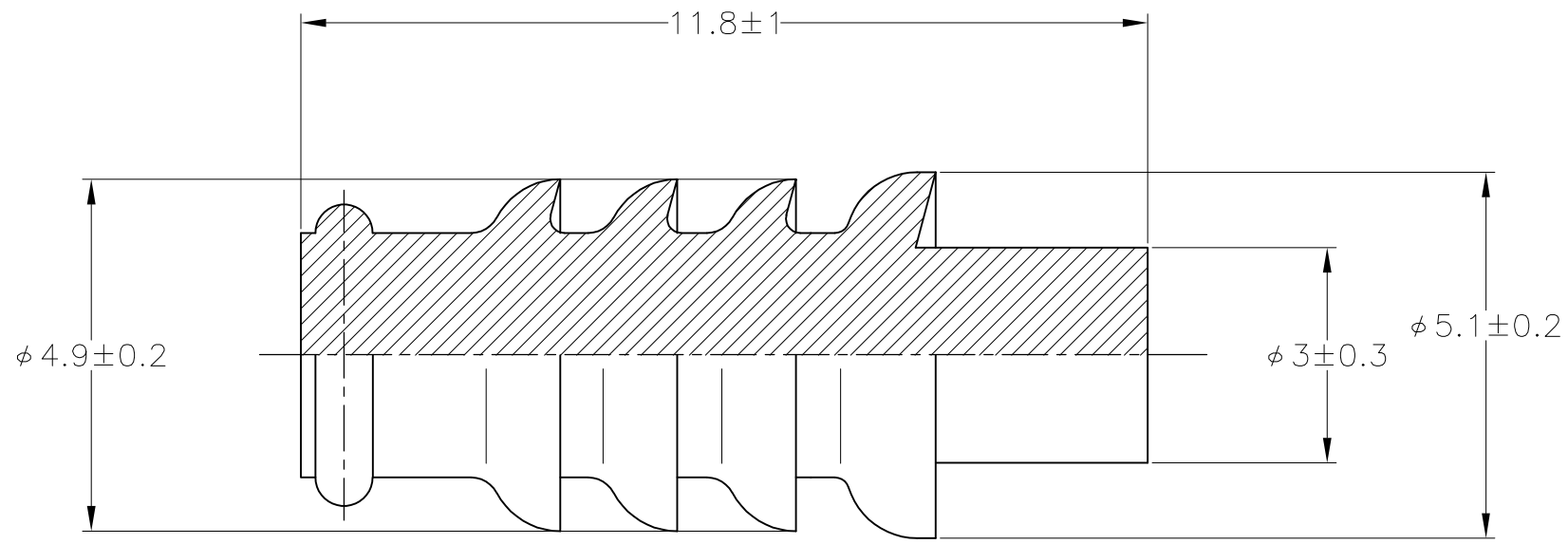



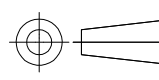
THIS DRAWING IS UNPUBLISHED. RELEASED FOR PUBLICATION
 © COPYRIGHT - By - ALL RIGHTS RESERVED.

LOC	DIST	REVISIONS 変更					
J	—	P	LTR	DESCRIPTION	DATE	DWN	APVD
		A		RELEASED	23APR14	DM	TK



- 1. 本製品はフタル酸フリー品である。
- 1. THIS PRODUCT IS NON-BIS TYPE

BLACK	2822357-1
COLOR	PART NUMBER

THIS DRAWING IS A CONTROLLED DOCUMENT.		DWN D.MATSUURA 23APR2014	 TE Connectivity		
DIMENSIONS: 単位: 耗 mm		CHK T.KOHNO 23APR2014			
		APVD T.KOHNO 23APR2014	NAME 名称 070 CAVITY PLUG		
TOLERANCES UNLESS OTHERWISE SPECIFIED: 一般公差		PRODUCT SPEC 製品規格	SIZE		
0 PLC ± - 1 PLC ± - 2 PLC ± - 3 PLC ± - 4 PLC ± - ANGLES ± -		APPLICATION SPEC 取付適用規格	CAGE CODE	DRAWING NO 番号	RESTRICTED TO
MATERIAL 材料 NBR	FINISH 仕上 -	WEIGHT -	A3	00779	G-2822357
CUSTOMER DRAWING			SCALE 尺度 10:1	SHEET 1 OF 1	REV A