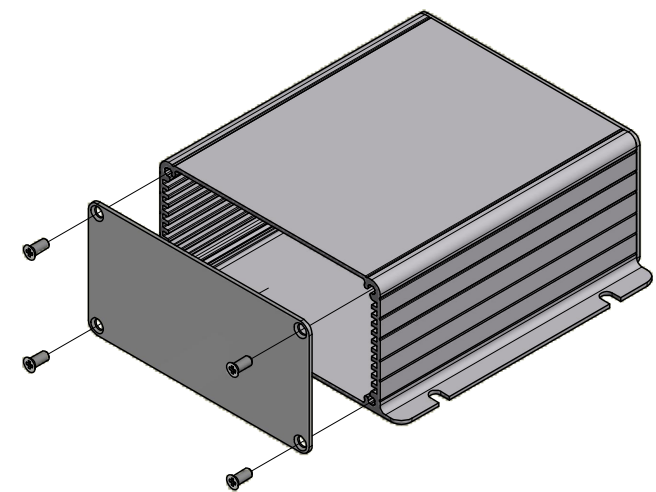
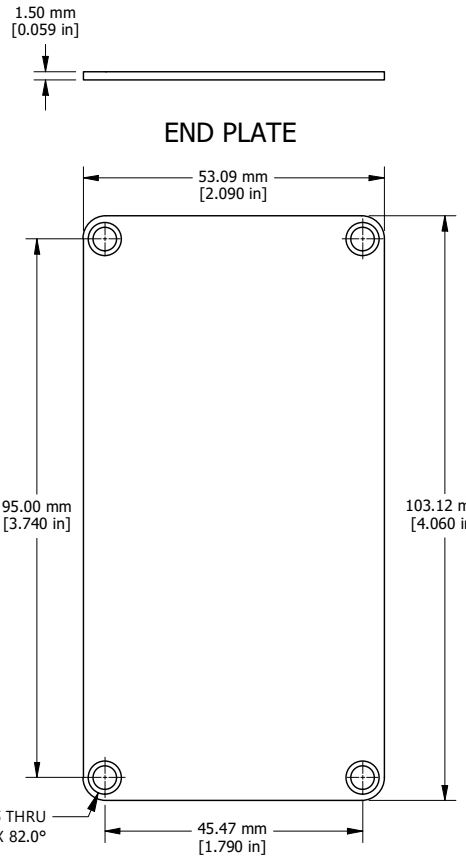


EXTRUSION



ISOMETRIC EXPLODED VIEW



END PLATE

EXTRUSION DESIGNED FOR
100MM WIDE PC BOARD

Enclosures can be Factory Modified (Milling, Drilling, Printing etc.)
Solid models of this enclosure available in STEP or IGES.
Contact Factory mjm@hammondmfg.com

NOTE	
Purchased assembly includes box, #6 Taptight screws and end panels	
Box made from Extruded Aluminum 6063.	

1455NF1201	
PART NUMBERS	
Clear Anodized	1455NF1201
Black Anodized	1455NF1201BK
ACCESSORIES	
See website for accessories.	

**HAMMOND
MANUFACTURING™**

1455NF1201

www.hammondmfg.com