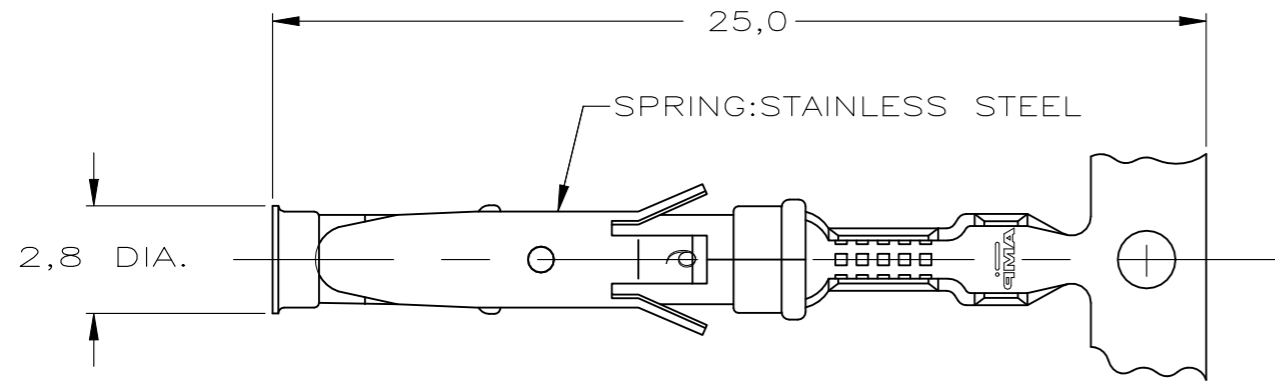
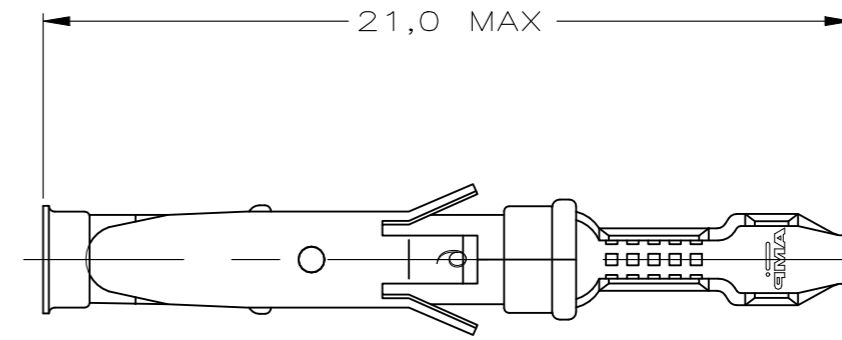


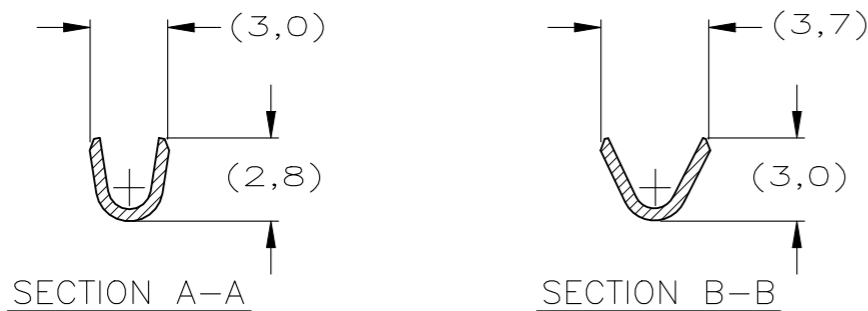
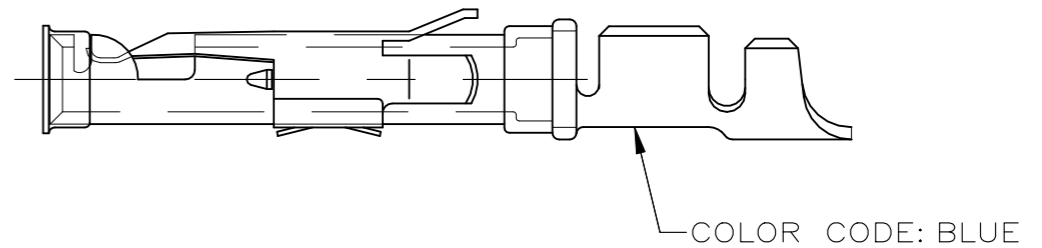
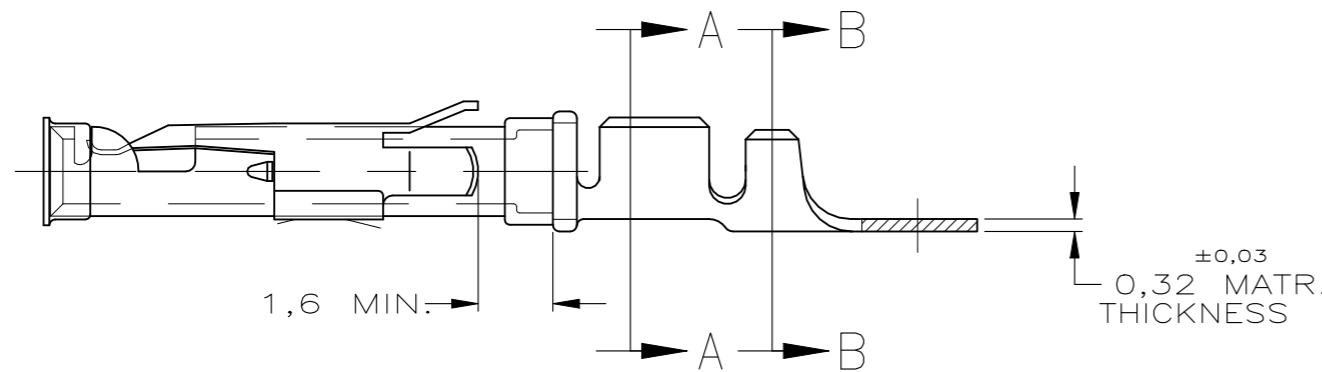
P	LTR	DESCRIPTION	DATE	DWN	APVD
	BA	ECO-21-006957	25JUN2021	RK	MZ



STRIP

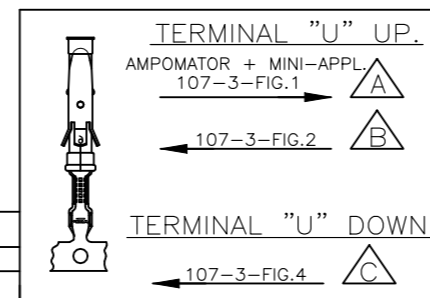


LOOSE-PIECE



WIRE RANGE : 0,75-1,50 mm<sup>2</sup> (18-16 AWG)  
 INSUL. RANGE : 2,0-2,5 mm (.080-.100)

REVISION	DESCRIPTION	DATE	MATERIAL	PLATING
△ 21	5-163083-3	21JULY2015	BRASS	ECON.GOLD
△ 22	5-163083-2	21JULY2015	BRASS	SEL.GOLD
△ 20	5-163083-1	21JULY2015	BRASS	EL.TIN
△ 31	1-163083-4	21JULY2015	BRASS	EL.TIN
△ 30	1-163083-3	21JULY2015	BRASS	BR.TIN
△ 28	1-163083-2	21JULY2015	BRASS	SILVER
△ 21	1-163083-1	21JULY2015	BRASS	ECON.GOLD
△ 21	1-163083-0	21JULY2015	BRASS	ECON.GOLD
△ 28	163083-9	21JULY2015	BRASS	SILVER
△ 20	163083-8	21JULY2015	BRASS	EL.TIN
△ 22	163083-7	21JULY2015	BRASS	SEL.GOLD
△ 22	163083-2	21JULY2015	BRASS	SEL.GOLD
△ 20	163083-1	21JULY2015	BRASS	EL.TIN



- NOTES :
- △ 1 UL RECOGNIZED UNDER E28476 VOL VI SEC I
  - 2 FOR CRIMP DETAILS SEE SPEC. 114-19000
  - 3 MEETS PRODUCT SPECIFICATION 108-10042
  - △ 4 SPECIAL REEL WITH 200PCS FOR REEL-FED HAND-TOOL
  - △ 5 OBSOLETE PARTS: OBSOLETE CIS STREAMLINING PER D.RENAUD/D.SINISI
  - △ 6 OBSOLETE
  - 7 OMISSION OF 6 CONTACTS MAX PER REEL OF 5000PCS
  - △ 31 LUBRICATED

NOTES	MATERIAL	THICKNESS	AREA
△ 20	TIN	2,0 μm	ALL OVER
△ 21	NICKEL GOLD TIN	.76 μm .76 μm 1.01 μm	ALL OVER CONTACT AREA BARREL
△ 22	NICKEL GOLD TIN	1.27 μm .76 μm 1.01 μm	ALL OVER CONTACT AREA BARREL
△ 23	NICKEL GOLD GOLD	1,2 μm	ALL OVER CONTACT AREA ALL OVER
△ 27	NICKEL SILVER TIN	2,5 μm	ALL OVER CONTACT AREA BARREL
△ 28	SILVER NICKEL	1,5-2,5 μm 0,76 μm	ALL OVER
△ 29	SILVER	2,5 μm	ALL OVER
△ 30	NICKEL TIN	1,27 μm 1,27 μm	ALL OVER ALL OVER

THIS DRAWING IS A CONTROLLED DOCUMENT.

DIMENSIONS:	TOLERANCES UNLESS OTHERWISE SPECIFIED:
mm	0 PLC ± -
	1 PLC ± -
	2 PLC ± -
	3 PLC ± -
	4 PLC ± -
	ANGLES ± -
MATERIAL	FINISH
REFER TABLE	REFER TABLE

DWN M THAJUDEEN 21JULY2015	TE Connectivity TYPE III+, SIZE 16, SOCKET ASS'Y, 18-16 AWG, 2.0-2.5mm DIA INSULATION			
CHK GANI NIMBENNAPPA 21JULY2015				
APVD PRASHANTH S 21JULY2015				
NAME				
PRODUCT SPEC 108-10042	SIZE	CAGE CODE	DRAWING NO	RESTRICTED TO
APPLICATION SPEC 114-19000	A3	00779	C-163083	-
WEIGHT -	CUSTOMER DRAWING		SCALE	SHEET
			-	1 OF 1
				REV BA