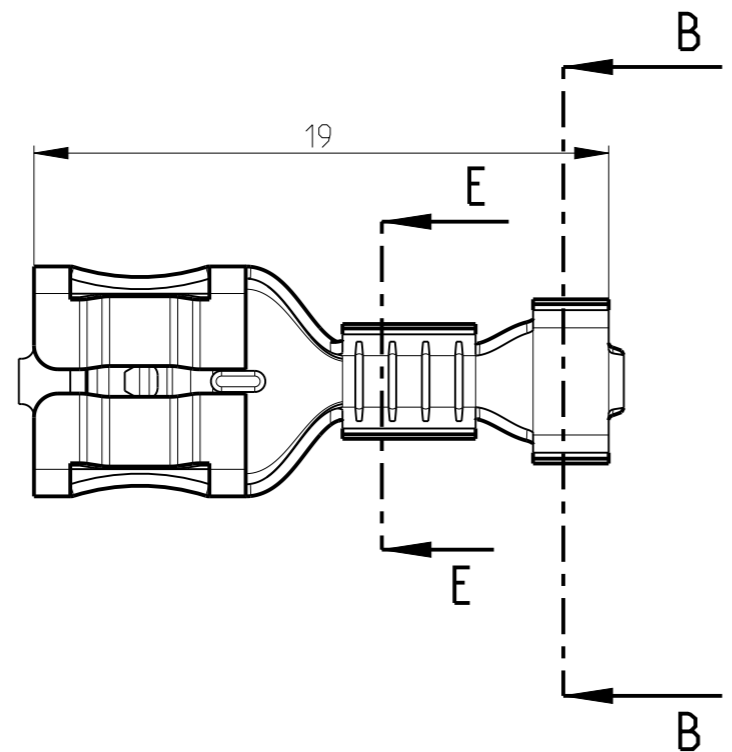
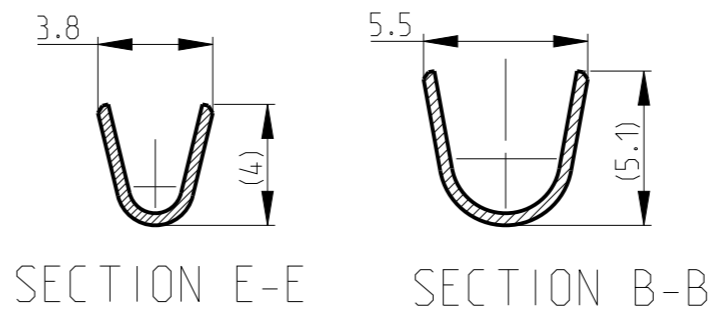
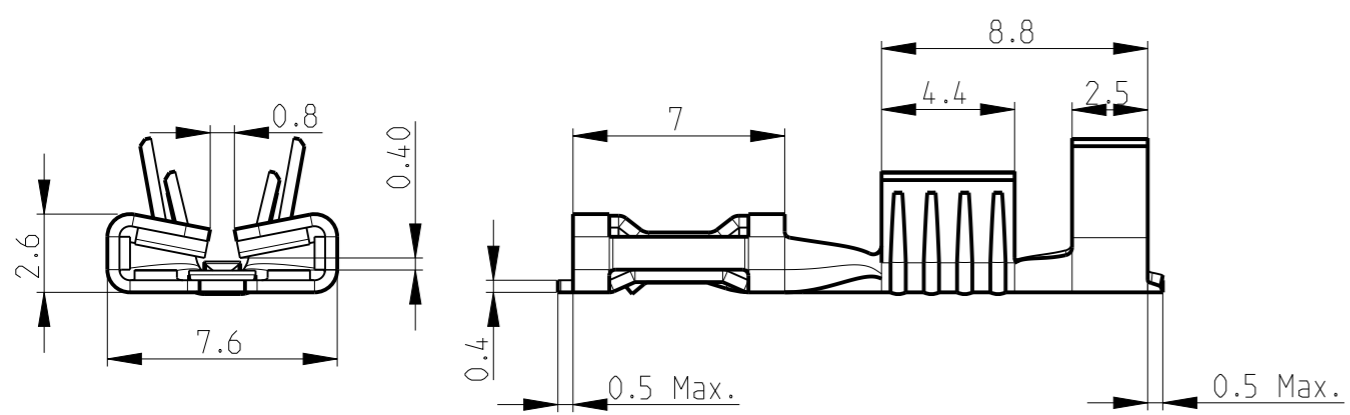


THIS DRAWING IS UNPUBLISHED. RELEASED FOR PUBLICATION 20
 © COPYRIGHT 20 BY TYCO ELECTRONICS CORPORATION ALL RIGHTS RESERVED.

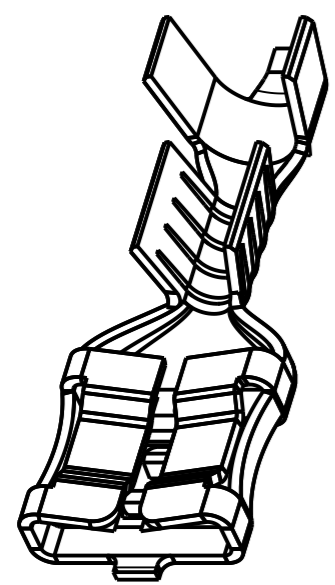
LOC	DIST	REVISIONS			
P	LTR	DESCRIPTION	DATE	DWN	APVD
-	-	C	RELEASE PER ECR-20-100866	04DEC20	DL EW




- NOTE:
- CONTINUOUS STRIP ON REELS
 - MATING TAB ACCORDING TO UL310 AND IEC61210 NORM. (WIDTH*THICKNESS IS 6.3*0.8mm)
 - WIRE SIZE IS #18-#14 AWG(1.0-2.5 sqmm)
 - INSULATION RANGE IS \varnothing 3-4.3mm
 - CUT-OFF TAB LENGTH 0.5mm MAX.
 - PRELIMINARY NOT FOR PRODUCTION.
 - APPLICATION FEED LENGTH 21.4mm.



Pre-Tin Plated	CuNiSi	2178300-3	6
Pre-Tin Plated	BRASS	2178300-2	6
Pre-NICKEL	Steel	2178300-1	
FINISH	MATERIAL	PART NO.	



THIS DRAWING IS A CONTROLLED DOCUMENT.		DWN VIBHUTHI 29NOV2012	 TE Connectivity			
DIMENSIONS: mm		CHK SUBHASH M 29NOV2012			NAME 6.3 SRS F-SPRING LIF RECEPTACLE	
TOLERANCES UNLESS OTHERWISE SPECIFIED:		APVD SURESH T N 29NOV2012				
0 PLC ±0.5 1 PLC ±0.5 2 PLC ±0.1 3 PLC ± 4 PLC ± ANGLES ±1°		PRODUCT SPEC 108-64027				
MATERIAL SEE TABLE	FINISH SEE TABLE	APPLICATION SPEC 114-64027	SIZE A3	CAGE CODE 00779	DRAWING NO C-2178300	RESTRICTED TO -
		WEIGHT -	SCALE 4:1		SHEET 1 OF 1	REV C

Customer Drawing