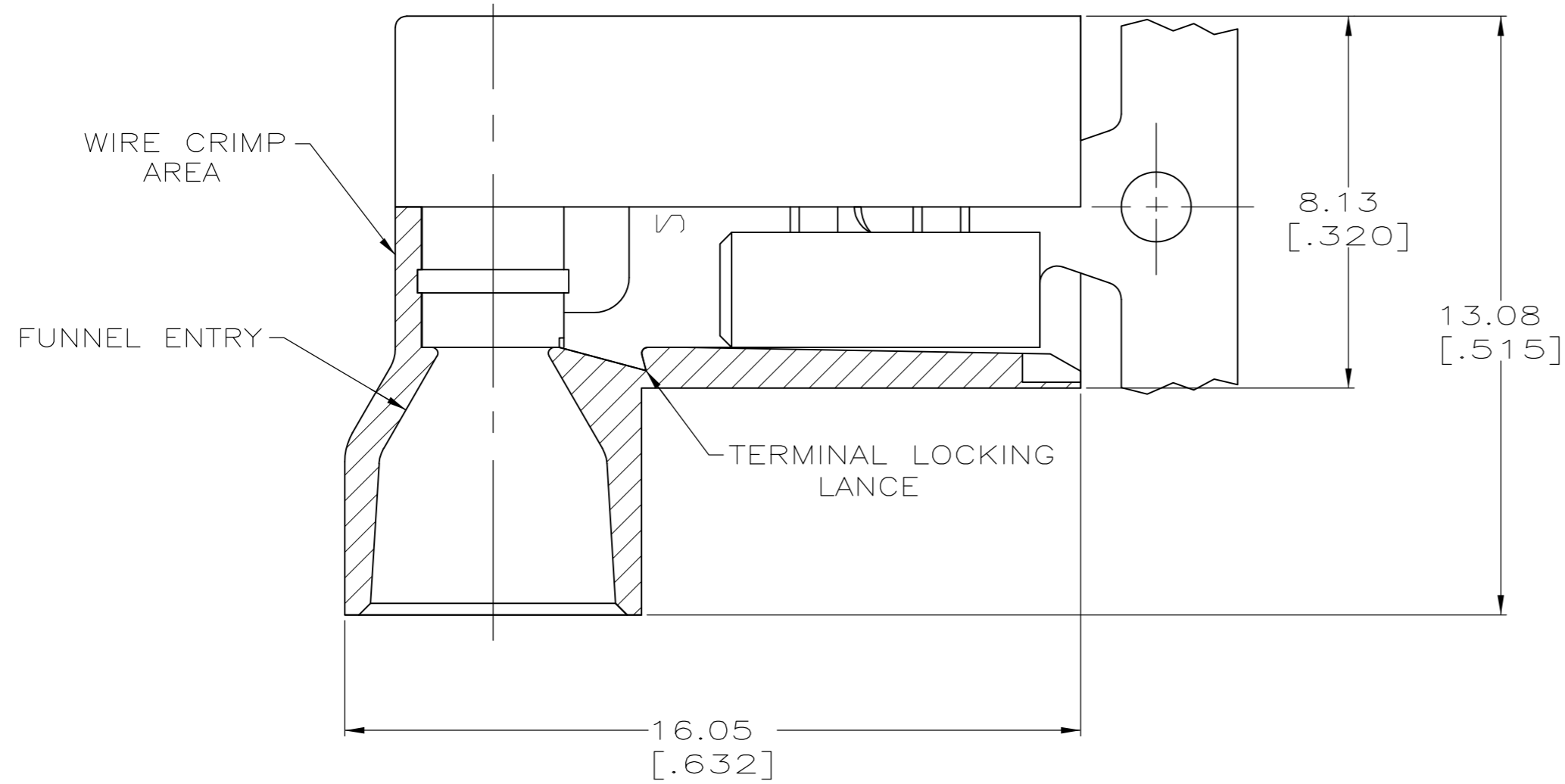
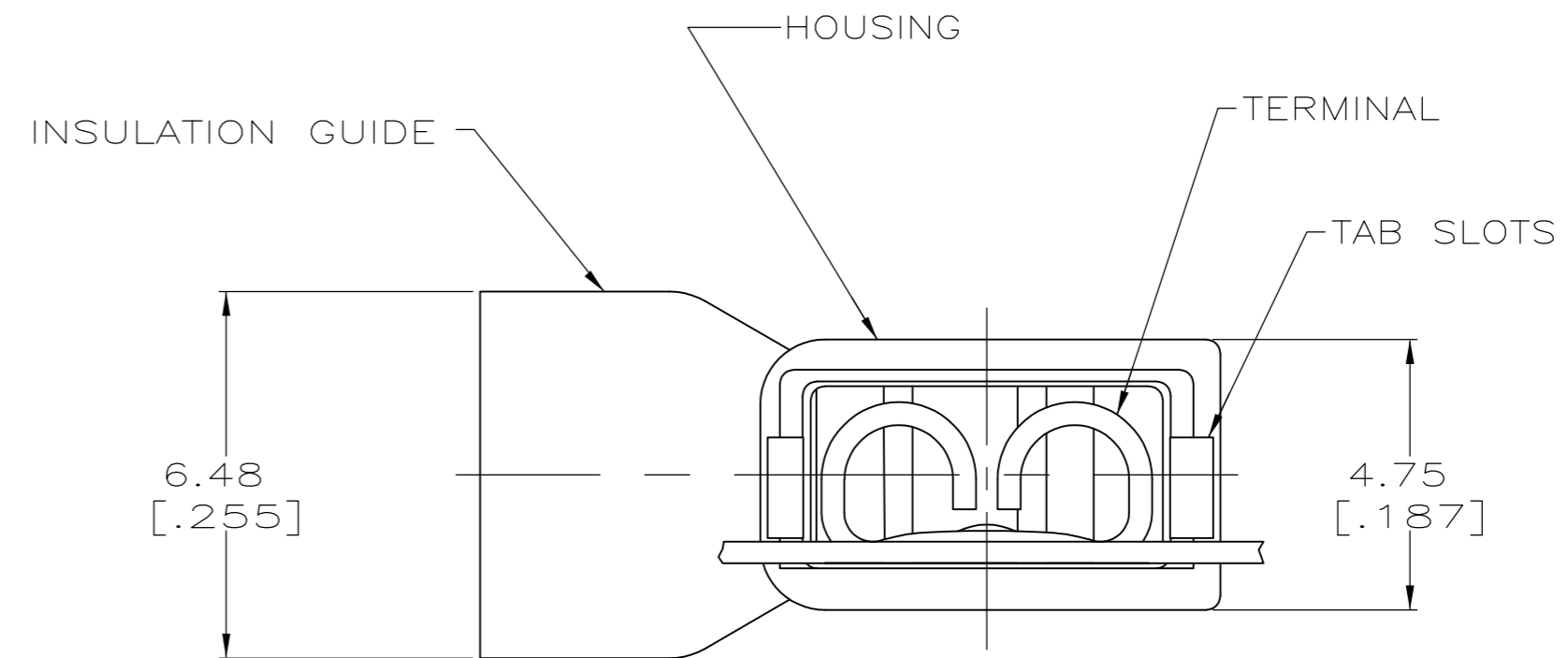
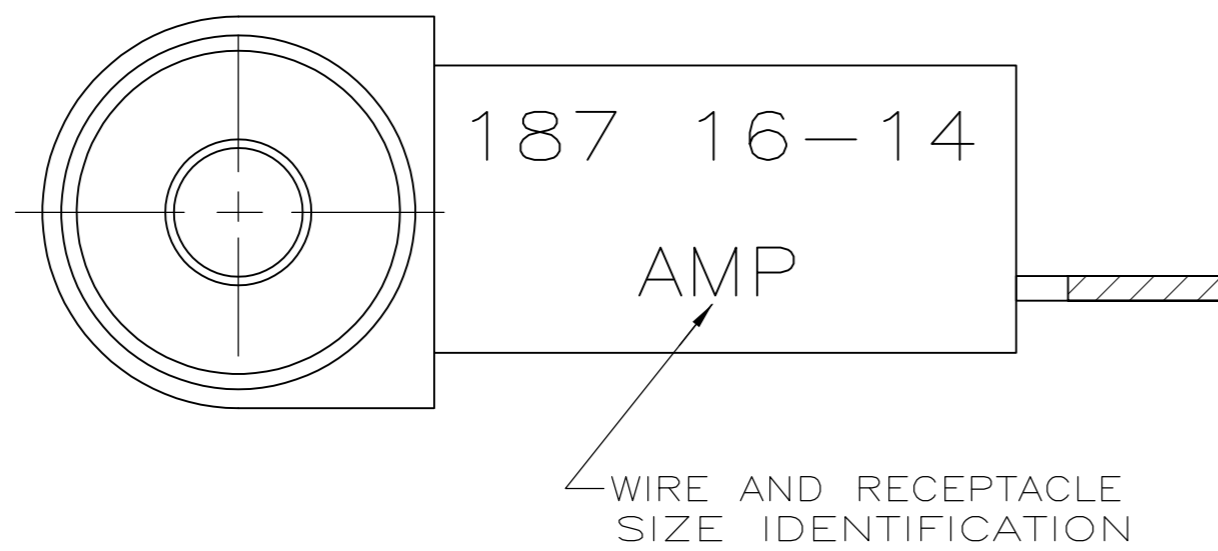


THIS DRAWING IS UNPUBLISHED. RELEASED FOR PUBLICATION
 © COPYRIGHT - By - ALL RIGHTS RESERVED.

LOC		DIST		REVISIONS			
P	LTR	DESCRIPTION		DATE	DWN	APVD	
AF	50	K		REVISED PER ECR-13-004343	30JUL13	KH	KR



- 1 FITS 0.81±0.025 X 4.75 [.032±.001 X .187] TAB
- 2 WIRE SIZE: 1.3-2.0mm² [16-14 AWG], STRANDED ONLY. STRIP LENGTH 7.14 [.281]
- 3 INSULATION SIZE: 4.70 [.185] MAX DIA.
- 4 CONTINUOUS STRIP.



TYPE 6/6 NYLON	BLACK TRANSLUCENT	BRASS	TIN	9-520340-2
	BLUE TRANSLUCENT			3-520340-2
MATERIAL	COLOR	MATERIAL	FINISH	PART NUMBER

THIS DRAWING IS A CONTROLLED DOCUMENT.		DWN P FORTNEY 8/9/90		
DIMENSIONS: mm [INCHES]		CHK JR RUTH 8/9/90		
TOLERANCES UNLESS OTHERWISE SPECIFIED:		APVD D BRATINA 8/9/90		
0 PLC ± - 1 PLC ± - 2 PLC ± 0.38 [.015] 3 PLC ± - 4 PLC ± - ANGLES ± -		NAME		
MATERIAL SEE TABLE		FINISH SEE TABLE	RECEPTACLE ASSEMBLY, ULTRA-FAST FLAG, 4.75 [.187] SERIES	
SEE TABLE		SEE TABLE	SIZE A2	RESTRICTED TO -
CUSTOMER DRAWING		WEIGHT -	CAGE CODE 00779	DRAWING NO C=520340
		SCALE 8:1	SHEET 1 of 1	REV K