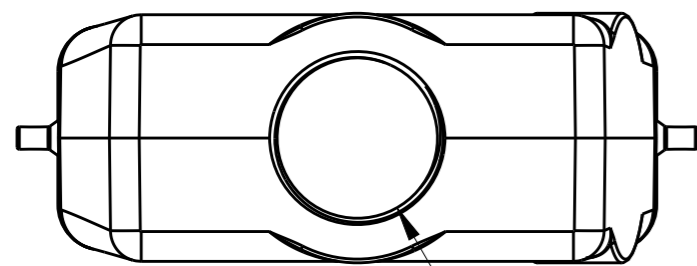
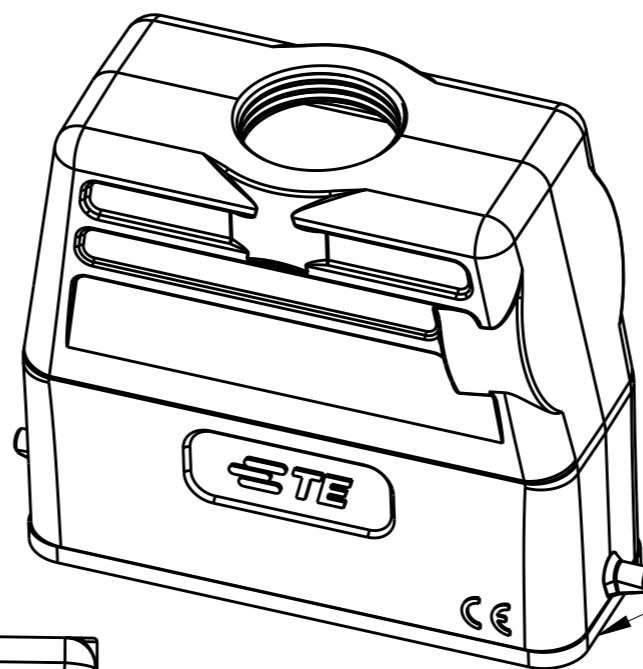


REVISIONS

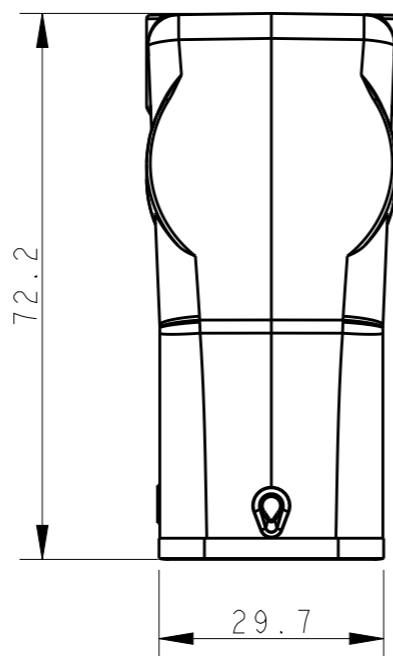
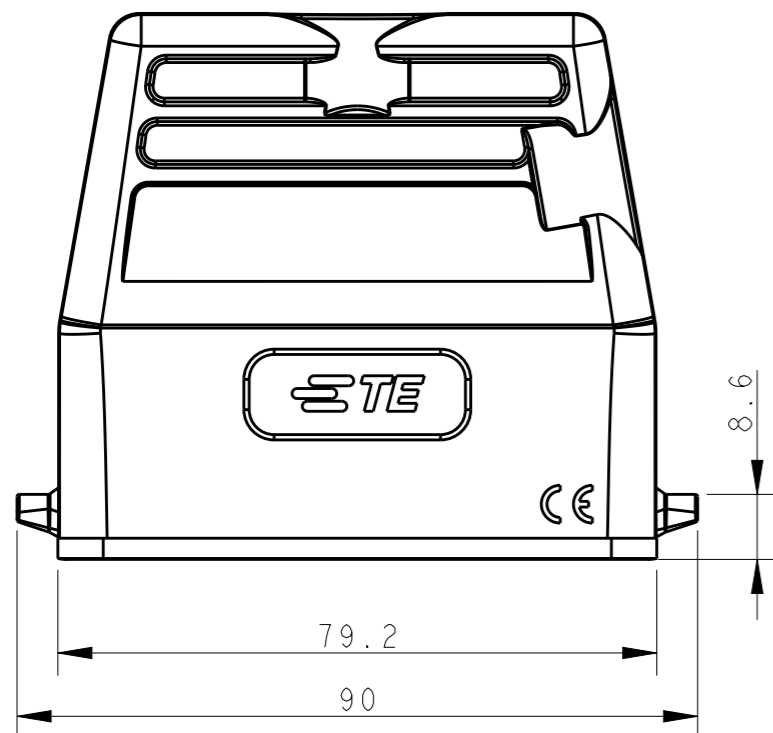
P	LTR	DESCRIPTION	DATE	DWN	APVD
A		INITIAL RELEASE	07MAY2015	DL	CW
B		ECR-20-009510	28DEC2020	BS	CW



PG/M



FOR "T1339160116-100"
SEAL FIXED BY GLUE



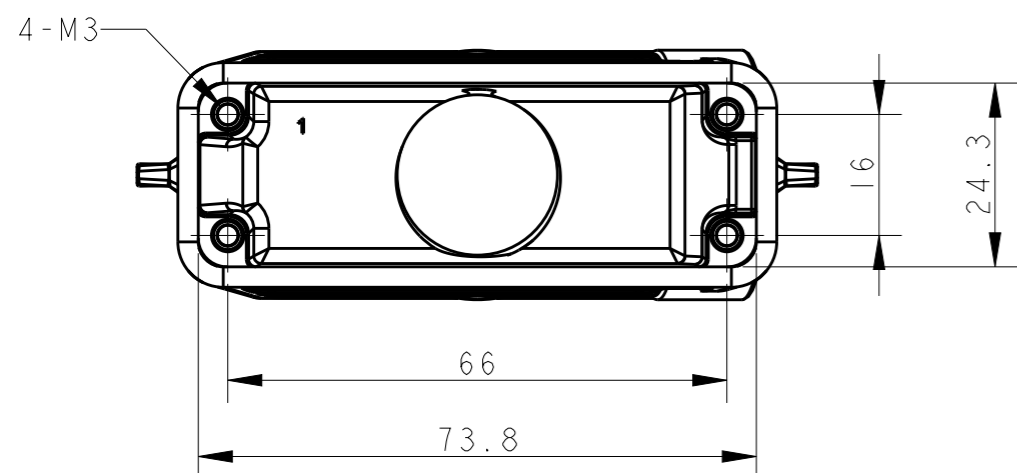
NOTES:

- 1. TECHNICAL CHARACTERISTICS:
BODY MATERIAL: DIE CAST ALUMINIUM ALLOY
SURFACE TREATMENT: POWDER-COATED, COLOR SEE TABLE
DEGREE OF PROTECTION: IP65 (MATED)

注释:

- 1. 技术参数:
主体材料: 铝合金
表面处理: 粉末喷涂, 颜色见表格
防护等级: IP65(配合)

T1349160116-000	H16A-TGH-PG16	PG16	GRAY	-
T1349160116-100	H16A-TGH-PG16	PG16		SEAL FIXED BY GLUE
T1349160120-000	H16A-TGH-M20	M20		-
T1349160121-000	H16A-TGH-PG21	PG21	-	-
T1349160125-000	H16A-TGH-M25	M25	-	-
T1349166125-000	H16A-TGH-M25	M25	BLACK	-
ASSEMBLY PART NUMBER	ASSEMBLY PART DESCRIPTION	PG/M	COLOR	REMARK



THIS DRAWING IS A CONTROLLED DOCUMENT.

DWN 07MAY2015 DAVID LI
CHK 07MAY2015 CHRIS WANG
APVD 07MAY2015 XU XIANG

NAME H16A-TGH-PG/M

PRODUCT SPEC 108-137010
APPLICATION SPEC 114-137010

WEIGHT -

CUSTOMER DRAWING

SCALE 1:1 SHEET 1 OF 1 REV B

RESTRICTED TO

SIZE A3 CAGE CODE - DRAWING NO. ©-T13491601XXX00