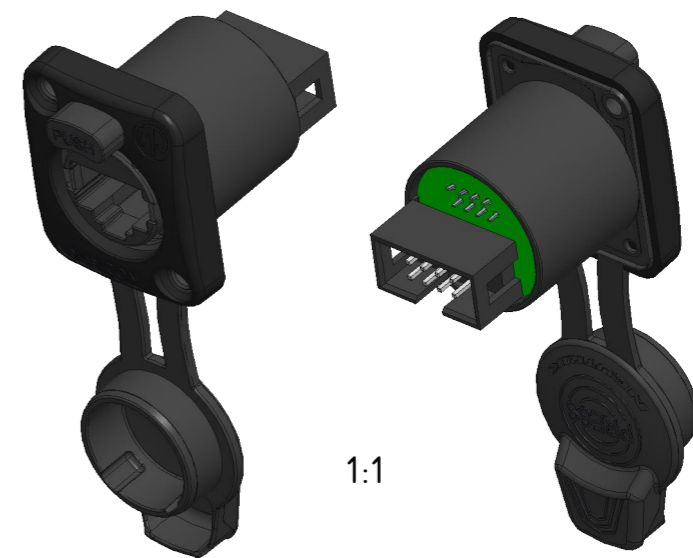
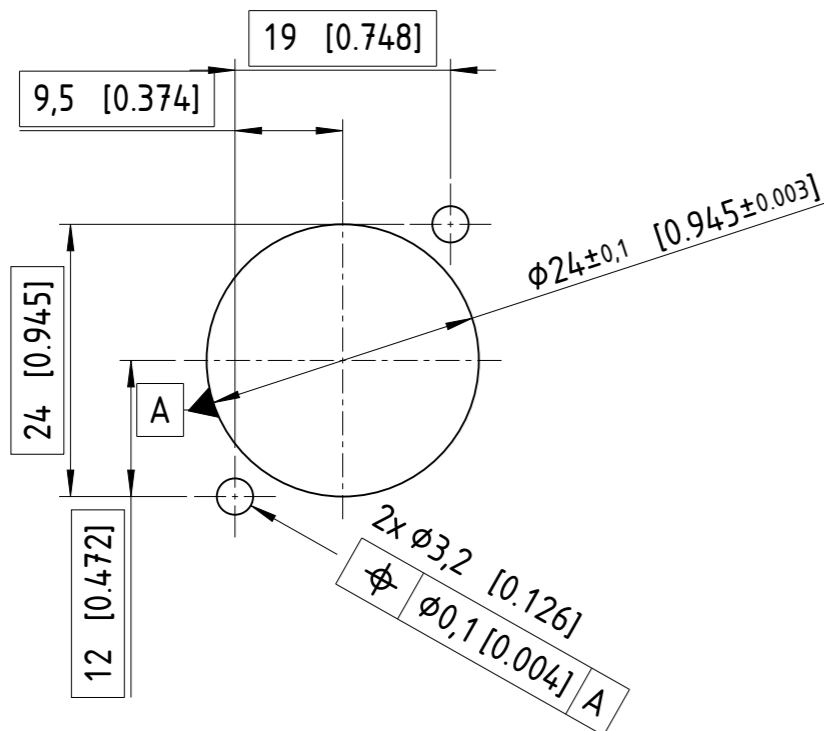


Frontplattenausschnitt (Rückseite)
Panel cut out (rear side)



Pin Map		
P1		P2
1	—	1
2	—	2
3	—	3
4	—	4
5	—	5
6	—	6
7	—	7
8	—	8

Sheet Number 1/1	Projection 	Scale 1.5:1	Format A3	General Tolerancing ISO 2768 mK	
Description			Created on/by	20.02.2023	Mangeng M.
NE8FDIS-TOP			Approved on/by	18.01.2024	Mangeng M.
			Article ID NE8FDIS-TO P	Model ID 30010317	Drawing ID 20004301
Status Released	Revision -	ECN Number -	Neutrik Group		