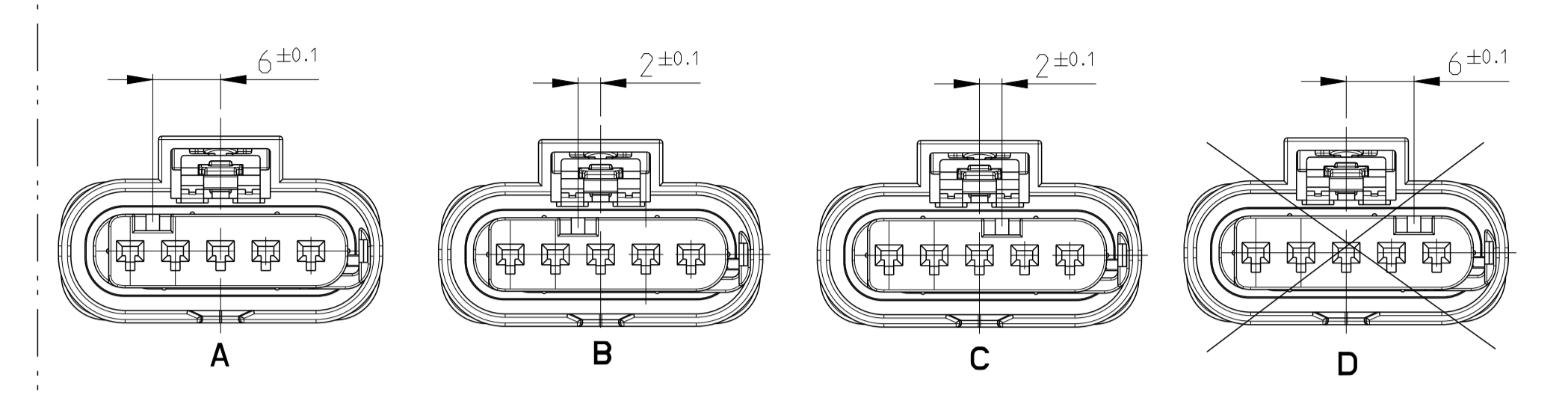


**CODINGS  
Kodierungen  
M 2:1**



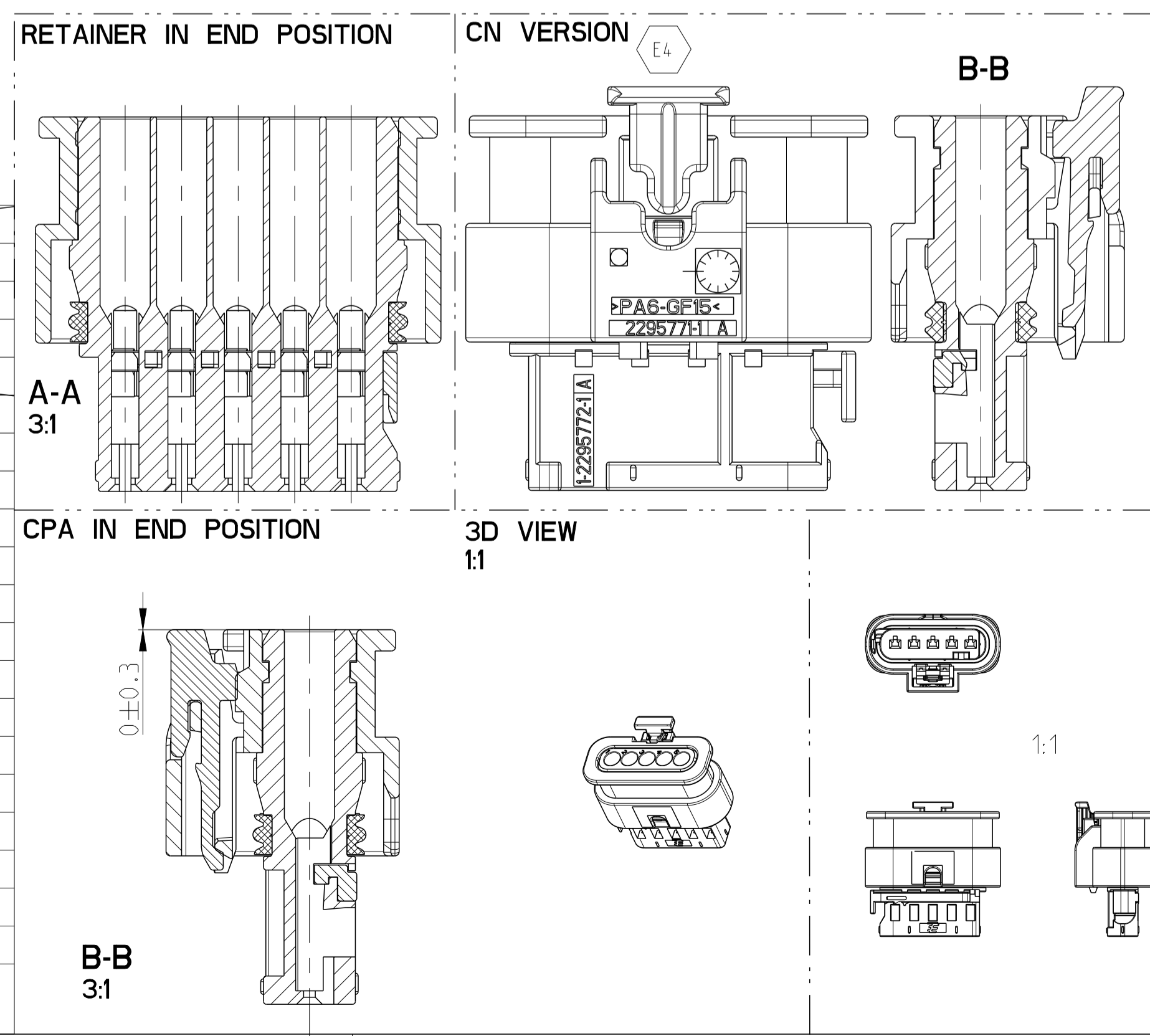
REVISIONS				
P.	LTN.	DESCRIPTION	DATE	OWN APVD
E1	3-1718806-1	ADDED TO BOM	22JUN2017	SZN RT
E2		LASERPRINT UPDATED WITH CN MANUF	13FEB2018	SZN RT
E3		DIVERGENT VERSION ADDED	10AUG2018	LSZ SZN
E4		LASER PRINT UPDATED WITH CN LOCATION	06AUG2019	SZN LSZ

**NOTES:  
Bemerkungen:**

- ONLY THE GERMAN LANGUAGE VERSION IS AUTHORITATIVE  
Massgebend ist nur der deutsche Text
- AREA FOR PRINT  
Bereich für Bedruckung.
- USABLE CONTACTS MCON 1.2  
SEE TE Connectivity -NO. 1452674, VERSION SINGLE WIRE SEAL  
Verwendbare Kontakte MCON 1.2  
siehe TE Connectivity -Zeichnung 1452674, Ausfuehrung Einzeldichtung
- MAX. WIRE SIZE RANGE 1.0 mm<sup>2</sup> FLR PERMITTED  
FOR CAVITY-Ø 3.55MM  
QUANTITY SEE WIRE HARNESS DRAWING  
FOR PERMISSIBLE CURRENT CARRYING CAPACITY OF THE SINGLE CONTACT  
SEE PRODUCT SPECIFICATION NO.108-18782  
max. zulaessiger Leitungsquerschnitt 1,0 mm<sup>2</sup> FLR,  
für Kammer-Ø 3,55mm  
die Stueckzahl ist im Leitungssatz festgelegt  
die zulaessige Strombelastbarkeit für die einzelnen Kontakte ist  
der Spezifikation 108-18782 zu entnehmen
- SUPPLIER-MARK  
Lieferantenkennzeichnung
- SPACE OF ACTIVITY  
Betaetigungsfreiraum
- SUPPLY CONDITION: CPA IN PRELOCKED POSITION  
Auslieferungszustand: Gehauesesicherung in Vorraststellung
- SUPPLY CONDITION: RETAINER IN PRELOCKED POSITION  
Auslieferungszustand: Zweite Kontaktsicherung in Vorraststellung
- WARPAGE PERMITTED TO MAX. -0.5mm  
Verzug zulaessig bis max. -0.5mm
- TE Connectivity ORDER-NO.  
TE Connectivity Bestell-Nr.
- ACCORDING TO INTERFACE DRAWING  
SEE TE-NO. 114-18679-3  
Passend zur Schnittstellen-Zeichnung  
siehe TE-Nr. 114-18679-3
- ASSEMBLY LINE SEGMENT IDENTIFICATION  
Markierung für Segment der Assembly Anlage
- DATE CODE (DDYY)  
Datum Kodierung (TTJJ)
- OPTIONAL-DIVERGENT MARKING FOR PARTS FROM CHINESE AND U.S. PRODUCTION  
Abweichende Beschriftung zulaessig fuer Teile aus China und U.S.  
Produktion.

CODING A AS SHOWN  
Kodierung A wie gezeichnet

TE-ORDER-NO.	COD	TITLE	REV	QTY	TITLE	MATERIAL	SURFACE/COLOUR	ITEM
4-1718806-1	D	5pos. MCON 1.2 - LL Connector, Sealed	D	1	MCON 1.2 - CPA	PA46-GF15	GRAY SIML. TO RAL 7037	5
				1	5pos. MCON 1.2 - Seal	MVQ-30	NATURE	4
				1	5pos. MCON 1.2 - Retainer	PA66-GF15	VIOLETT SIML. TO RAL 4006	3
				1	5pos. MCON 1.2 - Protec. Cover	PA6-GF45	VIOLETT SIML. TO RAL 9011	2
				1	5pos. MCON 1.2 - Recept. Hsg	PA66-GF30	GRAY SIML. TO RAL 4004	1
3-1718806-1	C	5pos. MCON 1.2 - LL Connector, Sealed	E	1	MCON 1.2 - CPA	PA46-GF15	GRAY SIML. TO RAL 7037	5
				1	5pos. MCON 1.2 - Seal	MVQ-30	NATURE	4
				1	5pos. MCON 1.2 - Retainer	PA66-GF15	VIOLETT SIML. TO RAL 4006	3
				1	5pos. MCON 1.2 - Protec. Cover	PA6-GF15	VIOLETT SIML. TO RAL 9011	2
				1	5pos. MCON 1.2 - Recept. Hsg	PA66-GF30	BLUE SIML. TO RAL 5012	1
2-1718806-1	B	5pos. MCON 1.2 - LL Connector, Sealed	E	1	MCON 1.2 - CPA	PA46-GF15	GRAY SIML. TO RAL 7037	5
				1	5pos. MCON 1.2 - Seal	MVQ-30	NATURE	4
				1	5pos. MCON 1.2 - Retainer	PA66-GF15	VIOLETT SIML. TO RAL 4006	3
				1	5pos. MCON 1.2 - Protec. Cover	PA6-GF15	BLACK SIML. TO RAL 9011	2
				1	5pos. MCON 1.2 - Recept. Hsg	PA66-GF30	NATURE	1
1-1718806-1	A	5pos. MCON 1.2 - LL Connector, Sealed	E	1	MCON 1.2 - CPA	PA46-GF15	GRAY SIML. TO RAL 7037	5
				1	5pos. MCON 1.2 - Seal	MVQ-30	NATURE	4
				1	5pos. MCON 1.2 - Retainer	PA66-GF15	VIOLETT SIML. TO RAL 4006	3
				1	5pos. MCON 1.2 - Protec. Cover	PA6-GF15	BLACK SIML. TO RAL 9011	2
				1	5pos. MCON 1.2 - Recept. Hsg	PA66-GF30	BLACK SIML. TO RAL 9011	1



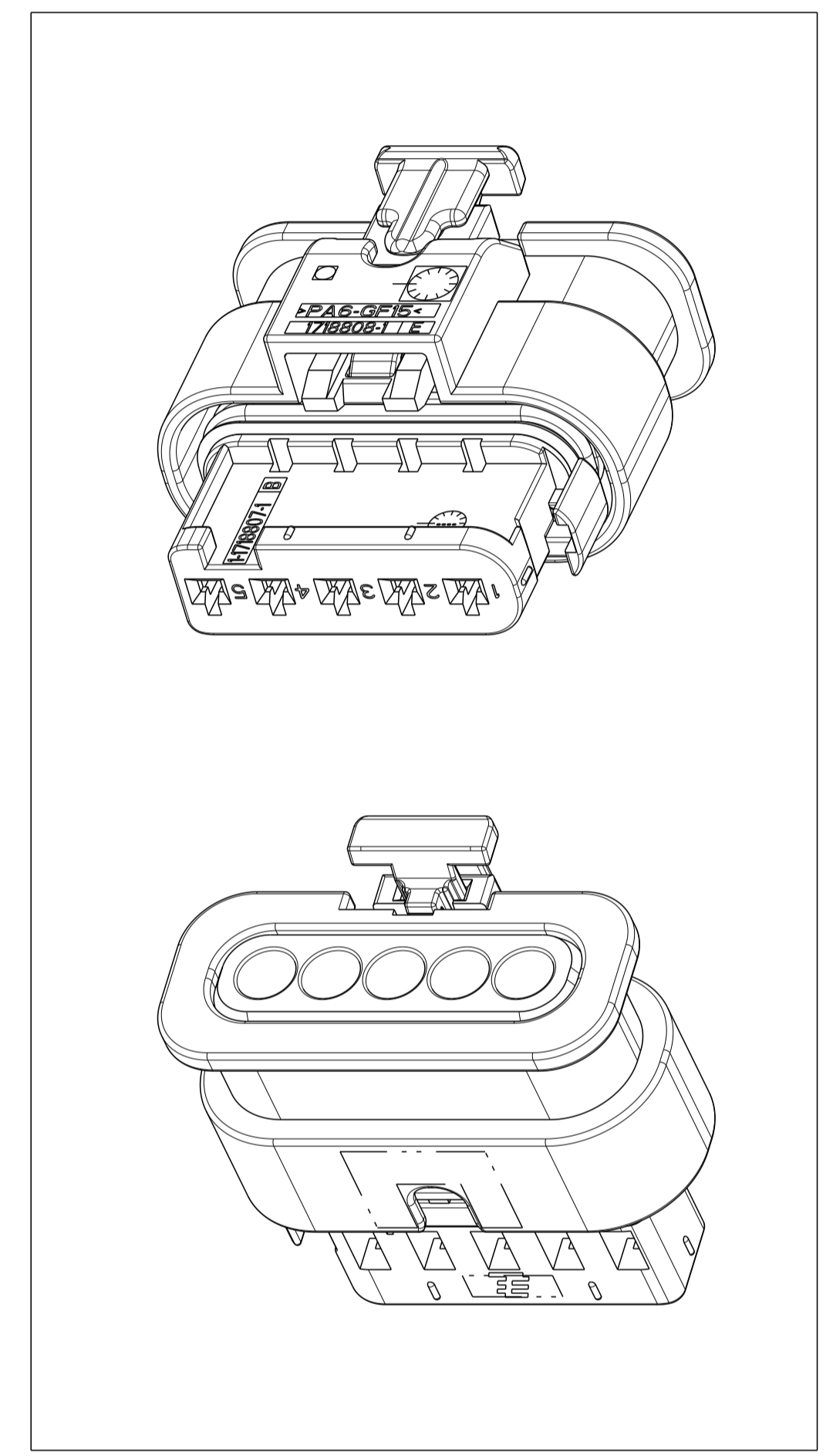
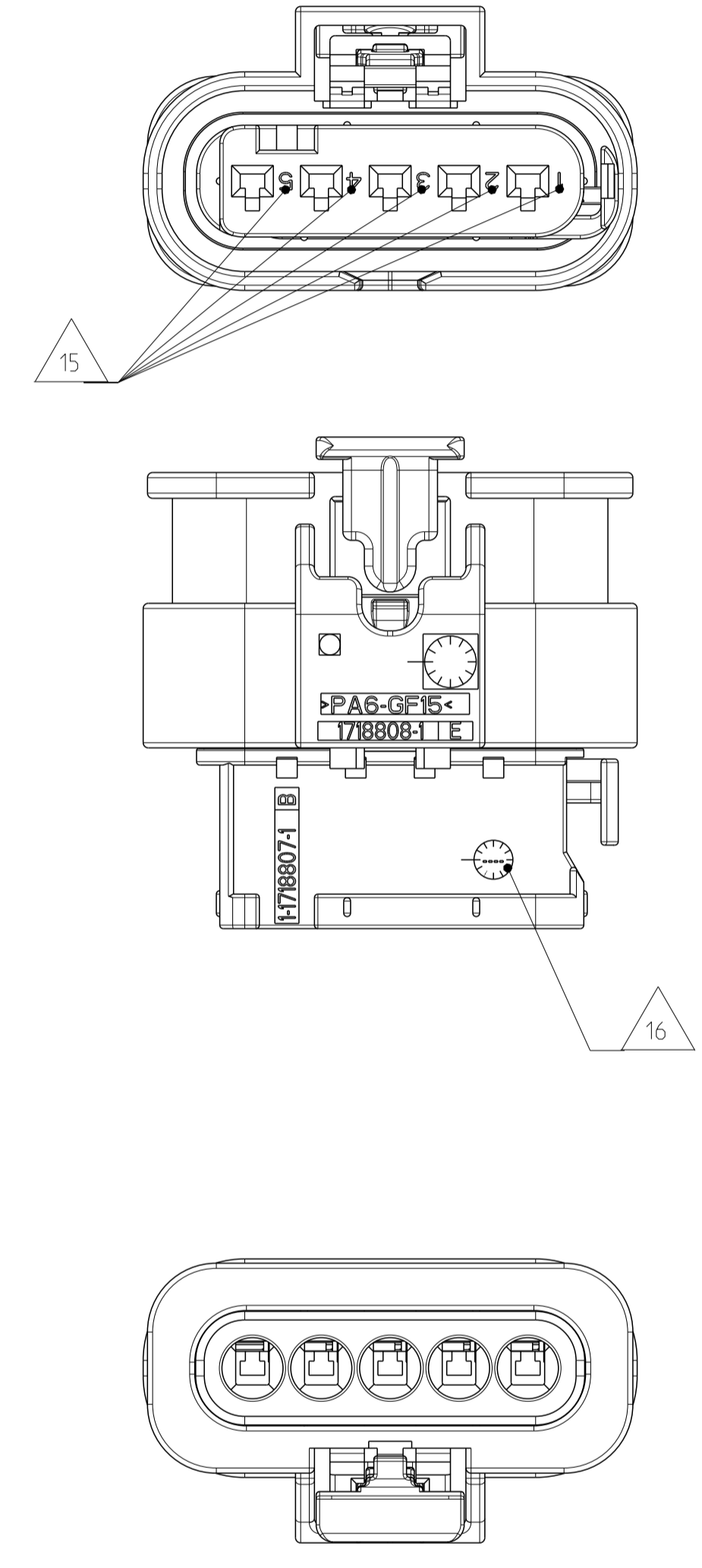
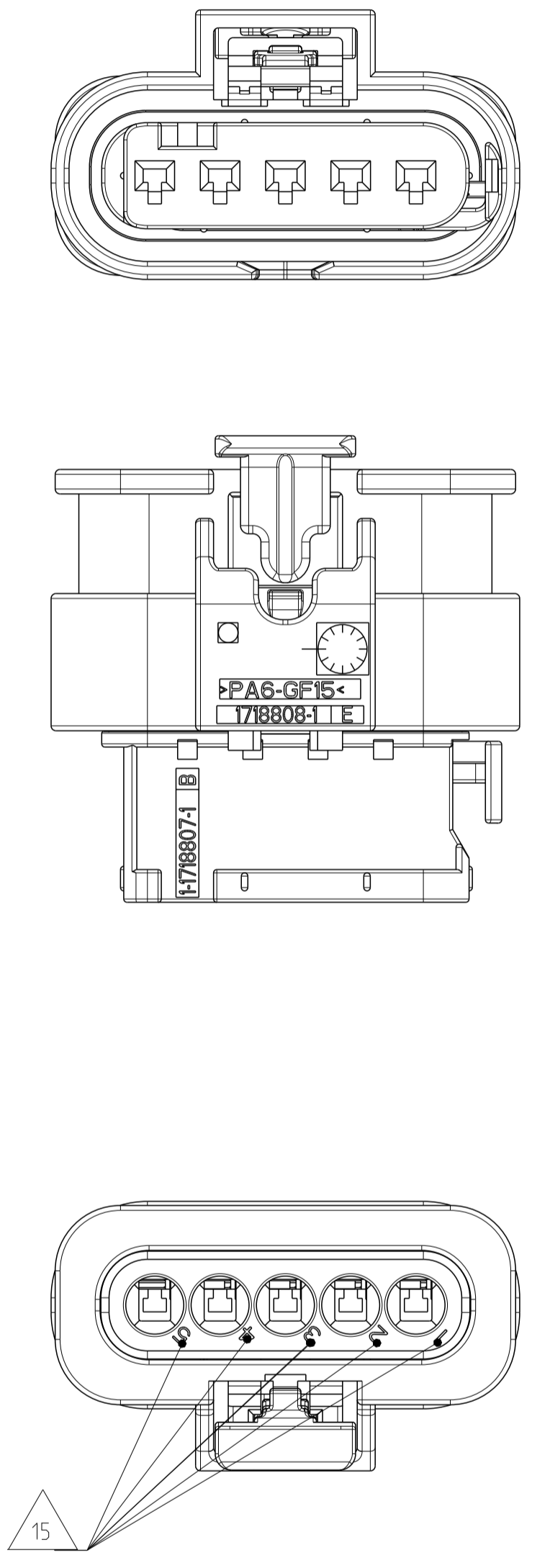
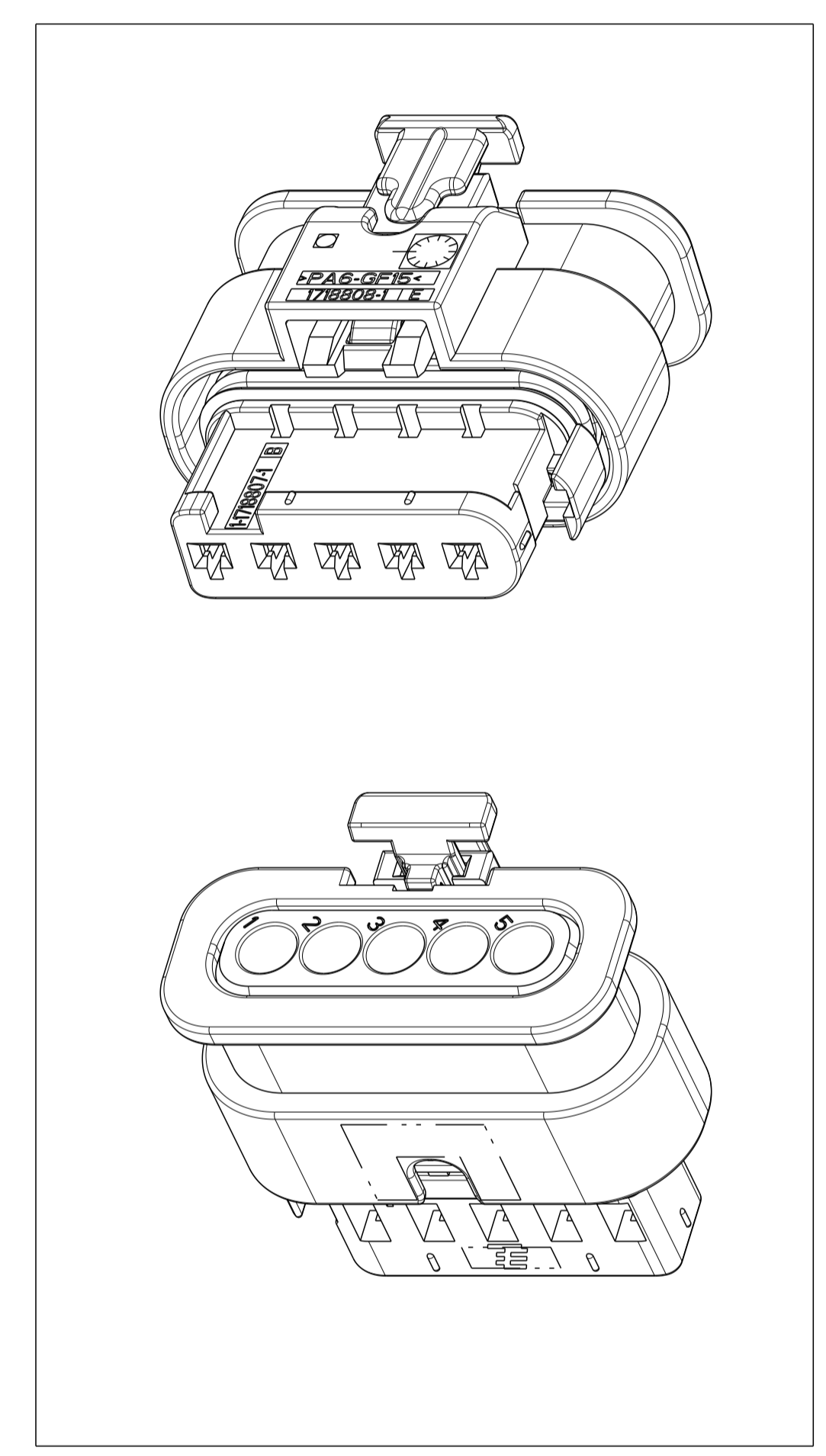
TOLERANCES UNLESS OTHERWISE SPECIFIED ACC. TO DIN 16901-140. CENTRIC TO NOMINAL DIMENSION. EDITION 1982-11 SHALL APPLY. Freimessstoleranzen nach DIN 16901-140. Es gilt die Ausgabe 1982-11.		DWN LG. Roth 09AUG2018		TE Connectivity
THIS DRAWING IS A CONTROLLED DOCUMENT.		CHK A. Schraebel 17FEB2005		
DIMENSIONS: mm	TOLERANCES UNLESS OTHERWISE SPECIFIED	PRODUCT SPEC	NAME	5pos. MCON 1.2 LL Connector, Sealed
0 PLC ±0.15	0.15	108-18969		
1 PLC ±0.13	0.13	APPLICATION SPEC	SIZE	A1
2 PLC ±0.13	0.13		CAGE CODE	00779
3 PLC ±0.013	0.013		DRAWING NO	1718806
4 PLC ±0.0001	0.0001		RESTRICTED TO	
MATERIAL TBD		WEIGHT	SCALE	4:1
		CUSTOMER DRAWING	SHEET	1 OF 2
			REV	E4

REVISIONS				
P.	LTN	DESCRIPTION	DATE	APVD
		SEE SHEET 1		

**E3** Divergent marking for parts from various tools 3:1

Version 1

**E3** Version 2



- E3** 15 Contact cavity marking
- 16 Date clock for inner housing

DIMENSIONS: mm		TOLERANCES UNLESS OTHERWISE SPECIFIED: 0 PLC ±0.5 1 PLC ±0.13 2 PLC ±0.075 3 PLC ±0.05 4 PLC ±0.025 ANGLES ±0.0001		THIS DRAWING IS A CONTROLLED DOCUMENT. DWN: G. Roth 17FEB2005 CHK: A. Schraebel 17FEB2005 APVD: -		NAME: 5pos. MCON 1.2 LL Connector, Sealed PRODUCT SPEC: - APPLICATION SPEC: -	
MATERIAL: TBD		FINISH: -		WEIGHT: -		SIZE: A1 CAGE CODE: 00779 DRAWING NO: C=1718806	
CUSTOMER DRAWING				SCALE: 4:1		SHEET: 2 OF 2	
						RESTRICTED TO: REV: 4	