

THIS DRAWING IS UNPUBLISHED.

RELEASED FOR PUBLICATION

2006

© COPYRIGHT 2006

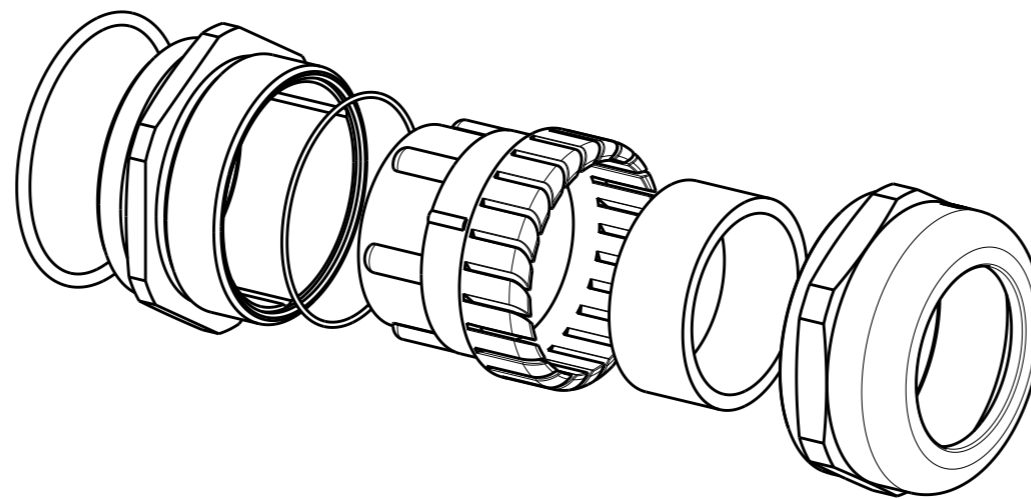
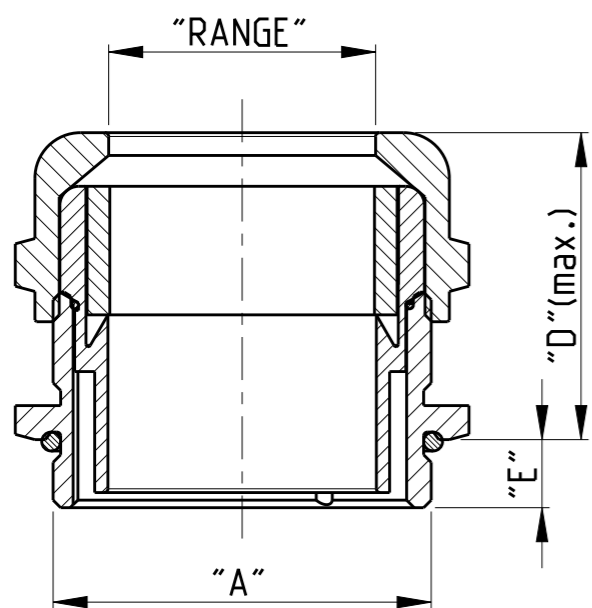
ALL RIGHTS RESERVED.

LOC  
A1

DIST  
-

REVISIONS

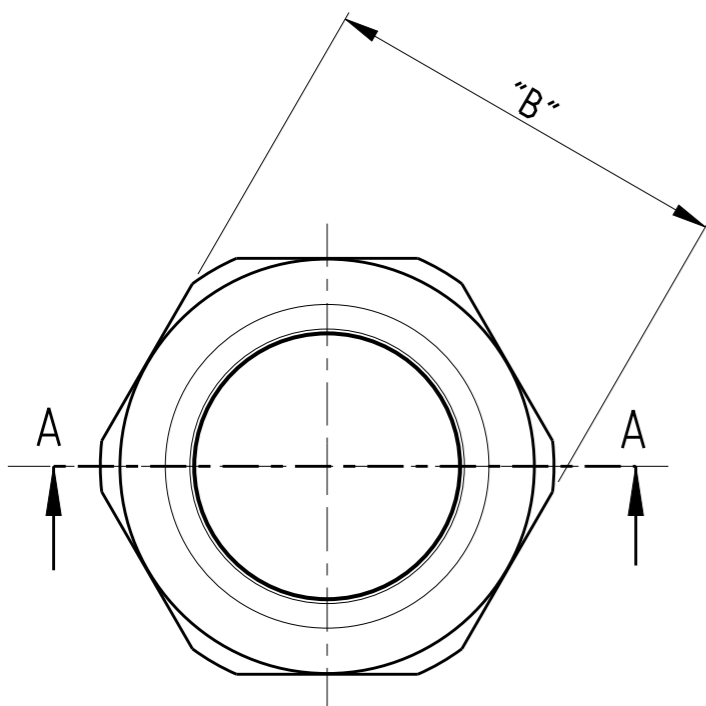
P	LTR	DESCRIPTION	DATE	DWN	APVD
	A3	REVISED PER ECO-11-008493	22APR2011	HMR	MM
	A4	ECR-15-008928	18JUN2015	GS	JB
	A5	REVISED PER ECR-17-014412	03APR18	NG	MKO



EXPLODED VIEW

Notes

- 1 MATERIALS:  
 DOME NUT & GLAND BODY : BRASS CuZn39Pb3. NICKEL-PLATED  
 LAMELLAR INSERT: POLYAMIDE PA6 V-2  
 SEALING RING: POLYCHLOROPRENE-NITRILE RUBBER CR/NBR  
 O-RING: NITRILE RUBBER NBR



OBSOLETE	PART NO.	DESCRIPTION	DIMENSIONS				
			"A"	"B"	"E"	"D"	"RANGE"
SUPERSEDED BY T3609400112-000 OR T3609400102-000	5-0	HUT.M50.MS	M50x1.5	SW 55	9	40.5	Ø24-35
SUPERSEDED BY T3609320112-000 OR T3609320102-000	4-0	HUT.M40.MS	M40x1.5	SW 43	8	33.0	Ø19-27
SUPERSEDED BY T3609250112-0000 OR T3609250102-000	3-2	HUT.M32.MS	M32x1.5	SW 34	8	30.0	Ø14-21
SUPERSEDED BY T3609200112-000 OR T3609200102-000	2-5	HUT.M25.MS	M25x1.5	SW 27	7	29.5	Ø11-16
SUPERSEDED BY T3609200112-000 OR T3609200102-000 OR T3609200122-000	2-0	HUT.M20.MS	M20x1.5	SW 22	6	27.5	Ø9-13
	1-6	HUT.M16.MS	M16x1.5	SW 17	5	25.0	Ø5-9

THIS DRAWING IS A CONTROLLED DOCUMENT.

DWN H.BRAUN 20DEC2006  
 CHK -  
 APVD T.SCHNURPFEL 20DEC2006  
 PRODUCT SPEC -  
 APPLICATION SPEC -  
 WEIGHT -

**TE** TE Connectivity

NAME ASS'Y CABLE GLAND  
 SERIES HUT-MS, METRIC

SIZE A3 CAGE CODE 00779 DRAWING NO C-1102770 RESTRICTED TO

CUSTOMER DRAWING SCALE 5:1 SHEET 1 OF 1 REV A5