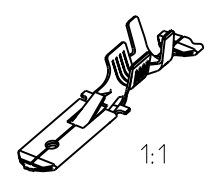
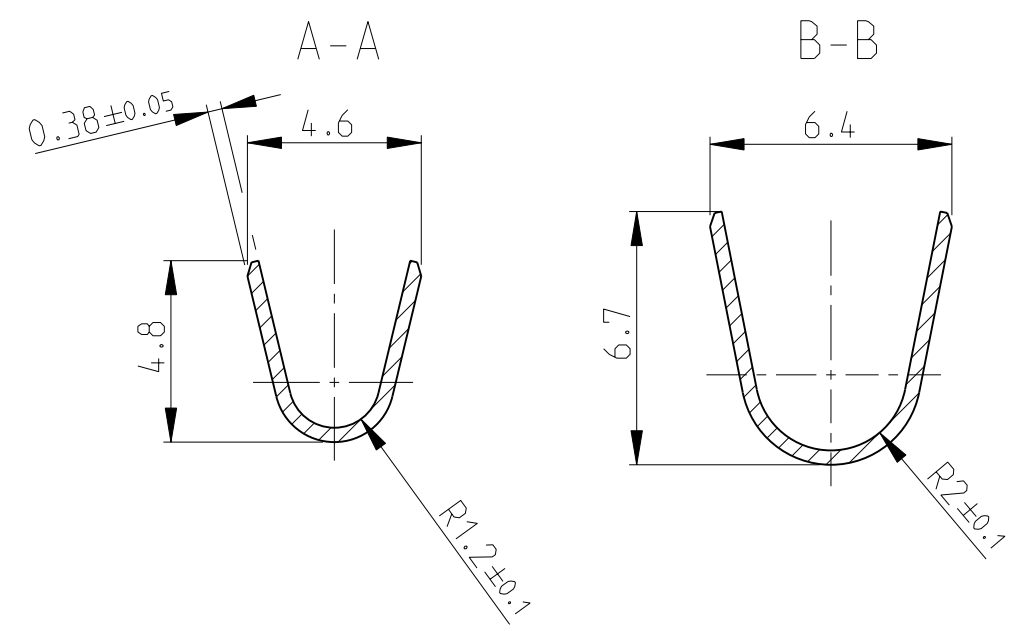
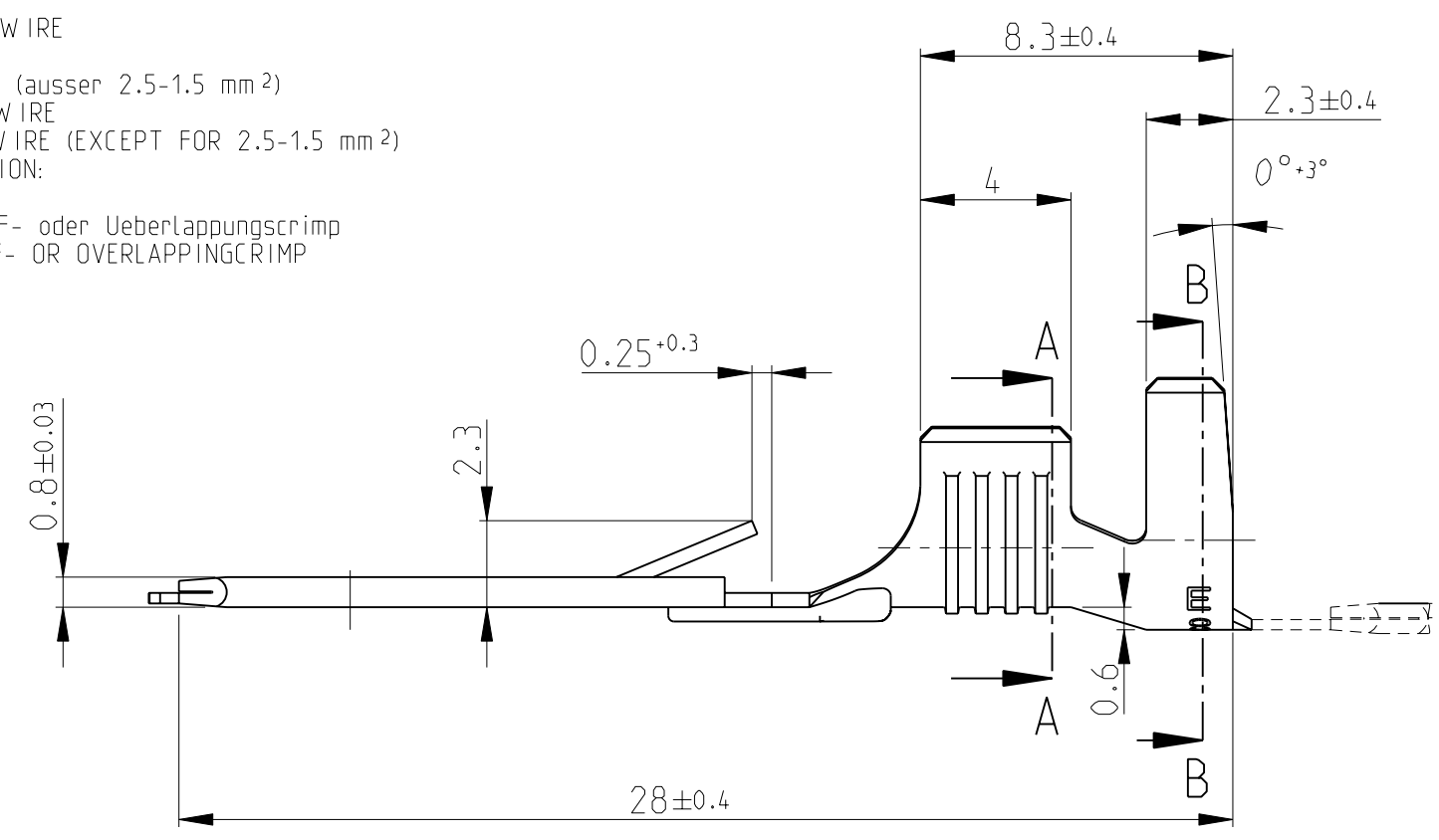


THIS DRAWING IS UNPUBLISHED. RELEASED FOR PUBLICATION 2006
 © COPYRIGHT 2006 ALL RIGHTS RESERVED.

LOC	DIST	REVISIONS					
		P	LTR	DESCRIPTION	DATE	DWN	APVD
A1	-		E1	NEW CAD DRAWING CREATED	30NOV2006	Abr	Goep
			E2	ECR-10-026307	16JUN2011	KK	HMR

Leitung / WIRE
 Einzelanschlag: FLK-Litze
 SINGLE CONNECTION: FLK-WIRE
 Doppelanschlag: FLR-Litze
 FLK Litze (ausser 2.5-1.5 mm²)
 DOUBLE CONNCTION: FLR WIRE
 FLK WIRE (EXCEPT FOR 2.5-1.5 mm²)
 Verarbeitung / APPLICATION:
 Leiter / WIRE: F-Crimp
 Isolation / INSULATION: F- oder Ueberlappungscrimp
 F- OR OVERLAPPINGCRIMP



OBSOLETE	928950-7	vorverzinnt / PRE TIN	CuZn30	928949-7	E
OBSOLETE	928950-4	TIN (112-16-3) 2-10 µm	CuSn4	928949-4	E
	928950-3	blank / PLAIN	CuSn4	928949-3	E
	928950-2	verzinnt / TIN	CuZn30	928949-2	E
	928950-1	blank / PLAIN	CuZn30	928949-1	E
	LP NO.	FINISH	MATERIAL	PART NO.	REV.

Leitungsquerschnitt in mm ² CROSS SECTION IN mm ²		0.50	0.75	1.00	1.50	2.00	2.50	3.00	4.00	6.00
Einzel-anschlag SINGLE CONNECTION										
0.50										
1.00						X				
1.50				X	X					
2.50			X	X						
4.00	X									

Drahtgroessenbereich: >2.5-4.0 mm²
 WIRE RANGE: >2.5-4.0 mm²
 IsolationsØ: 3.3-4.5 mm
 INSULATIONØ: 3.3-4.5 mm

THIS DRAWING IS A CONTROLLED DOCUMENT.

DIMENSIONS: mm

TOLERANCES UNLESS OTHERWISE SPECIFIED:
 0 PLC ±0.2
 1 PLC ±0.2
 2 PLC ±0.2
 3 PLC ±0.2
 4 PLC ±0.2
 ANGLES ±1°

MATERIAL: - FINISH: -

DWN: H.Mayer 04.03.87
 CHK: Herth 04.03.87
 APVD: -
 PRODUCT SPEC: -
 APPLICATION SPEC: -
 WEIGHT: 0.9 g

STE TE Connectivity

NAME: 6.3 Fastin -on Flachstecker
 6.3 FASTIN -ON TAB
 nach / ACCORDING DIN 46343

SIZE: A3 CAGE CODE: 00779 DRAWING NO: ©928949 RESTRICTED TO: -

CUSTOMER DRAWING SCALE: 5:1 SHEET: 1 OF 1 REV: E2