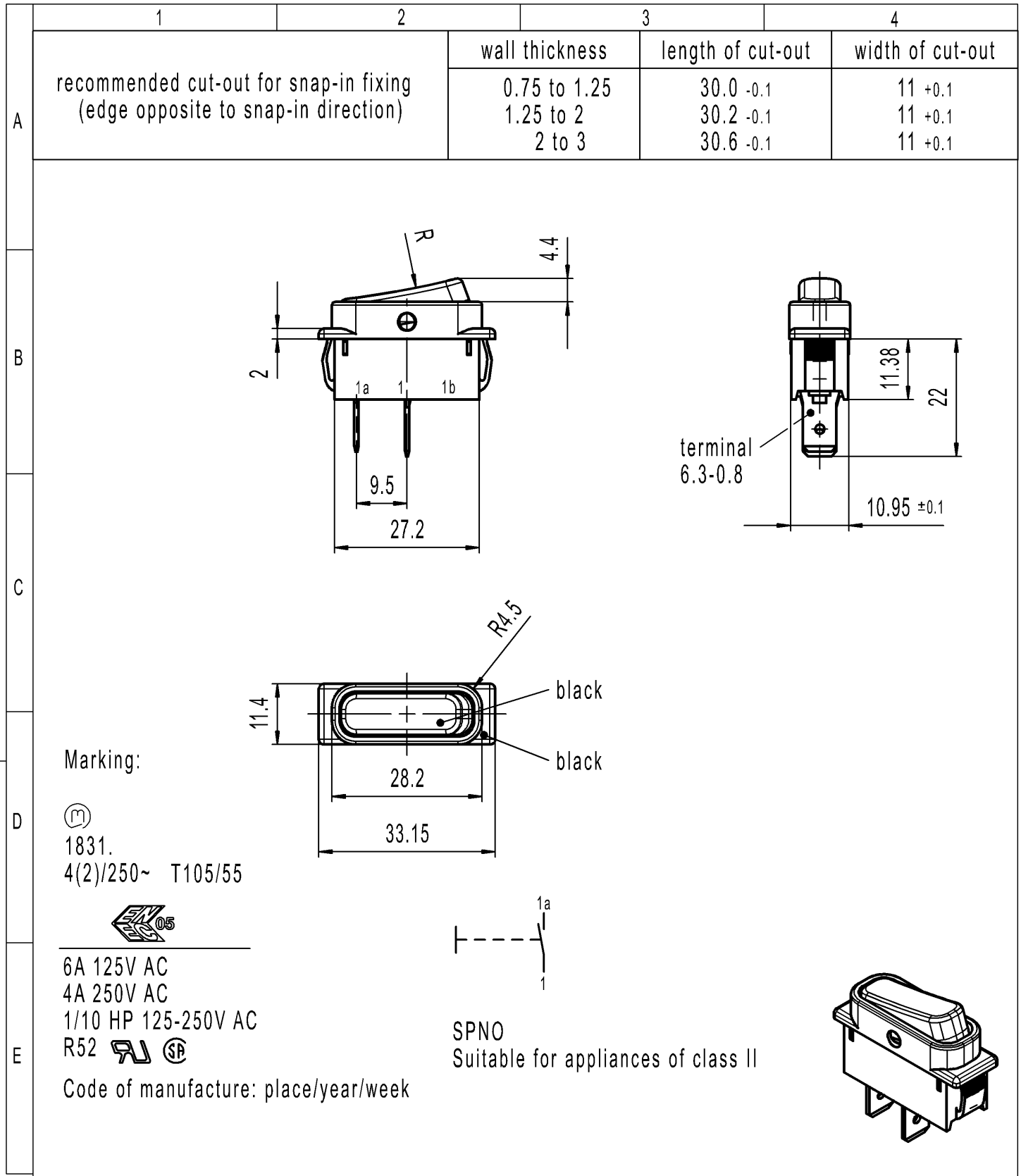


CONFIDENTIAL

VERTRAULICH

Alle Rechte bei Marquardt, auch fuer den Fall von Schutzrechtsanmeldungen. Jede Veruegungsbefugnis, wie Kopier- und Weitergaberecht, bei uns.

THIS DRAWING IS THE EXCLUSIVE PROPERTY OF MARQUARDT. WITHOUT THEIR CONSENT IT MAY NOT BE REPRODUCED OR GIVEN TO THIRD PARTIES.



-	-	1831.8202-XX																																										
Figure	Type	Customer Part No. Art.No.-PI																																										
Shape and location	Angle ± 2 °	Sheet 01																																										
	Edge tolerance	Ident. Document number Index																																										
	<table border="1" style="width: 100%; border-collapse: collapse;"> <tr> <th colspan="2">Length</th> <th colspan="2">Radii</th> </tr> <tr> <td style="text-align: center;">0-6</td> <td style="text-align: center;">± 0.2</td> <td style="text-align: center;">0-6</td> <td style="text-align: center;">± 0.2</td> </tr> <tr> <td style="text-align: center;">>6-30</td> <td style="text-align: center;">± 0.4</td> <td style="text-align: center;">>6-30</td> <td style="text-align: center;">± 0.4</td> </tr> <tr> <td style="text-align: center;">>30</td> <td style="text-align: center;">± 0.6</td> <td style="text-align: center;">>30</td> <td style="text-align: center;">± 0.6</td> </tr> <tr> <td style="text-align: center;">±</td> <td style="text-align: center;">±</td> <td style="text-align: center;">±</td> <td style="text-align: center;">±</td> </tr> <tr> <td style="text-align: center;">±</td> <td style="text-align: center;">±</td> <td style="text-align: center;">±</td> <td style="text-align: center;">±</td> </tr> <tr> <td style="text-align: center;">±</td> <td style="text-align: center;">±</td> <td style="text-align: center;">±</td> <td style="text-align: center;">±</td> </tr> <tr> <td style="text-align: center;">±</td> <td style="text-align: center;">±</td> <td style="text-align: center;">±</td> <td style="text-align: center;">±</td> </tr> </table>	Length		Radii		0-6	± 0.2	0-6	± 0.2	>6-30	± 0.4	>6-30	± 0.4	>30	± 0.6	>30	± 0.6	±	±	±	±	±	±	±	±	±	±	±	±	±	±	±	±	<table border="1" style="width: 100%; border-collapse: collapse;"> <tr> <td style="text-align: center;">Format DIN</td> <td style="text-align: center;">Projection</td> <td style="text-align: center;">Scale</td> </tr> <tr> <td style="text-align: center;">A4</td> <td style="text-align: center;"></td> <td style="text-align: center;">1:1</td> </tr> </table>	Format DIN	Projection	Scale	A4		1:1	<table border="1" style="width: 100%; border-collapse: collapse;"> <tr> <td style="text-align: center;">K</td> <td style="text-align: center;">18318202</td> <td style="text-align: center;">C</td> </tr> </table>	K	18318202	C
Length		Radii																																										
0-6	± 0.2	0-6	± 0.2																																									
>6-30	± 0.4	>6-30	± 0.4																																									
>30	± 0.6	>30	± 0.6																																									
±	±	±	±																																									
±	±	±	±																																									
±	±	±	±																																									
±	±	±	±																																									
Format DIN	Projection	Scale																																										
A4		1:1																																										
K	18318202	C																																										
All dimensions are in millimetres		Appliance Switch																																										
c	138244	2021-08-06																																										
b	46904	2006-03-30																																										
a	23781	1996-02-05																																										
Index	MEC-No.	Date (YYYY-MM-DD)																																										
	MATHPATIR	HHE																																										
	GRH	GRH																																										
	System NX V1872	Replacement of																																										
	Zg.gl.Nr.v.05.02.1996	Edited by																																										

