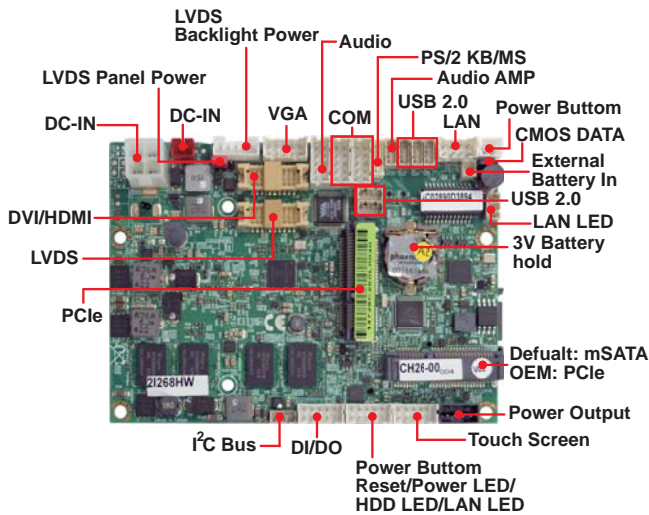


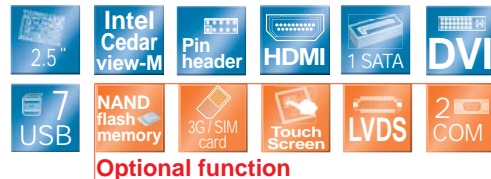


21268HW Series



▣ Embedded Car PC / Digital Signage / ATM / Kiosk / POS / Panel PC / Automation Control application

▣ Features



Specification:

MODEL	21268HW
CPU Type	Intel Cedar view-M N2600 1.6GHz, Core / Threads 2c / 4T, L2 Cache 2 x 512K, TDP 3.5W Intel Cedar view-M N2800 1.86GHz, Core / Threads 2c / 4T, L2 Cache 2 x 512K, TDP 6.5W
MB Chipset	Intel Cedar view-M and NM10
LVDS	Data format of 18 bits
Graphics	Intel Cedar view-M Integrated Graphics chipset, N2600 400 MHz or N2800 640 MHz render clock frequency Support DirectX* 9 compliant Pixel Shader* v2.0 and OGL 3.0, Display Ports: HDMI or DVI, LVDS (single channel), CRT
System Memory	On board DDR3 SDRAM 2GB N2600 Memory DDR3 data transfer rate of 800MT/s N2800 Memory DDR3 data transfer rate of 1066 MT/s
NAND flash memory (Option)	On board SSD Flash 2 / 4 / 8 / 16 / 32 / 64 GBytes (Share with MPCE2 mSATA) (Note: There's no SIM card socket if select on board SSD Flash)
SATA	One SATA ports with independent DMA operation supported
LAN	1 x Realtek RTL8111F 10 / 100 / 1000 Mbps
IO Function	2 x TTL or RS232 or 422 or 485 (Default RS232)
USB	7 x USB 2.0 (internal)
Audio Amplifier	Two channel Class AB Audio Amplifier
Audio	Intel High Definition Audio Specification Support Line-out / Mic-in / Line-in (wafer)
DIO & WDT	Hardware digital Input & Output, 4 x DI / 4 x DO Hardware Watch Dog Timer, 0~255 sec programmable
Touch Screen	USB / COM interface Touch screen controller Support 4-, 5-, 8- wire Analog Resistive touch screen Resister range from 200 to 1000Ω, Resolutions : 2048 x 2048
Expansion Interface	One full size PCIe Mini card for PCIe by one and USB interface One full size PCIe Mini card for mSATA and USB interface (one Mini card can have option for PCIe), One 3G SIM card socket (option)
Power	Option 1: On board DC +12V ±5% convert to +3.3V / +5V / +12V for system Option 2: Wide range DC input from +6V to +36V (±1V) for 21268HW Option 3: Fix DC input to +12V DC with battery charger function Support battery pack 2S (Two serial battery cell) 7.4V ~8.4V
Dimension	Pico-ITX 102 x 73 mm (2.5 inch)
Operation Temperature	-20 °C~ 70 °C
Operation Humidity	5 ~ 95%, non-condensing