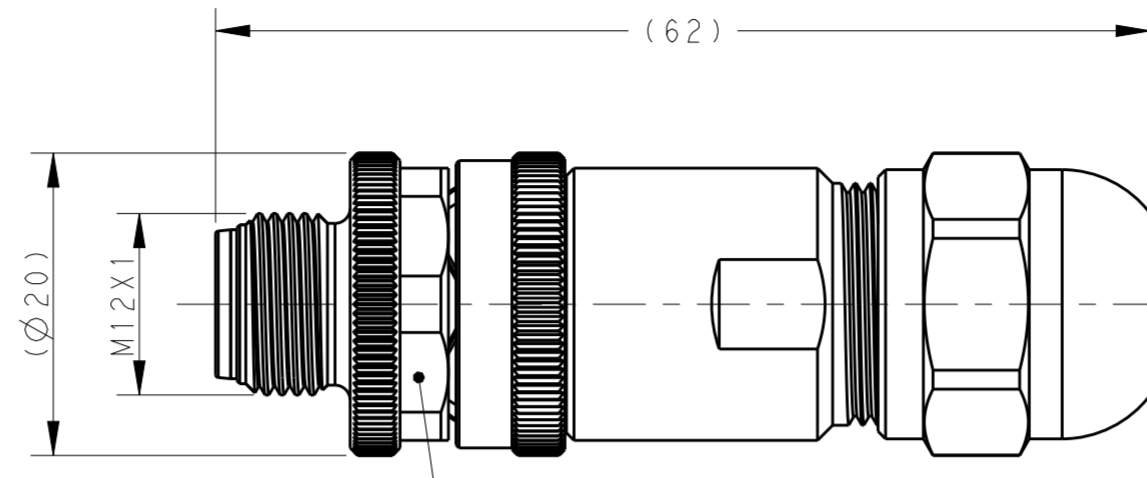
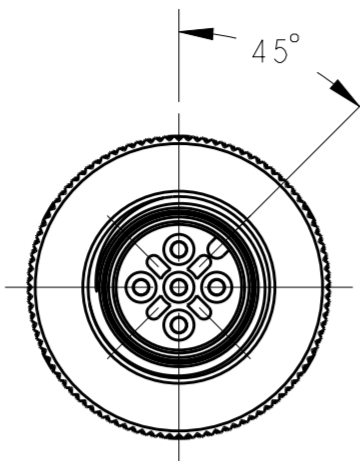
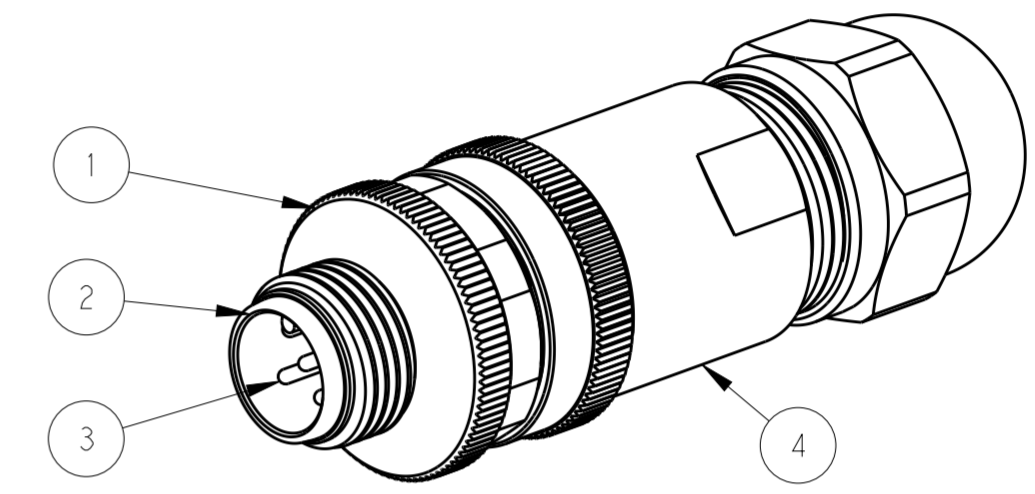


THIS DRAWING IS UNPUBLISHED. RELEASED FOR PUBLICATION 20  
 © COPYRIGHT 20 BY - ALL RIGHTS RESERVED.

REVISIONS				
P	LTR	DESCRIPTION	DATE	APVD
A		INITIAL RELEASE	25SEP2015	N.P X.X
A1		ECR-16-013861	16OCT2016	N.P X.X
A2		ECR-16-016026	14NOV2016	N.P X.X



SW18  
RECOMMENDED TORQUE 0.6 Nm



TECHNICAL DATA	T411101X02X-000	T411101X03X-000	T411101X04X-000	T411101X05X-000	T411101X08X-000
RATED VOLTAGE	250V	250V	250V	60V	30V
RATED CURRENT	4A	4A	4A	4A	2A
POLLUTION DEGREE	3	3	3	3	3
OVERVOLTAGE CATEGORY	II	II	II	II	II
MATERIAL GROUP	II	II	II	II	II
CONTACT RESISTANCE	≤8mΩ	≤8mΩ	≤8mΩ	≤8mΩ	≤8mΩ
INSULATION RESISTANCE	>100MΩ	>100MΩ	>100MΩ	>100MΩ	>100MΩ
DEGREE OF PROTECTION	IP67	IP67	IP67	IP67	IP67
OPERATION TEMPERATURE	-40~85°C	-40~85°C	-40~85°C	-40~85°C	-40~85°C

NOTE:  
 1. MATERIAL:  
 ITEM NO.1: NUT -BRASS  
 ITEM NO.2: HOUSING -PA  
 ITEM NO.3: CONTACT -BRASS  
 ITEM NO.4: BODY: -BRASS  
 2. CONTACT FINISH:  
 GOLD OVER NICKEL OR SILVER OVER NICKEL  
 3. CABLE WIRES:  
 18AWG/0.75mm<sup>2</sup> Max. FOR 2-5 PINS  
 20AWG/0.50mm<sup>2</sup> Max. FOR 8 PINS  
 4. ALLDIMENSIONS ARE FOR NOMINAL REFERENCE ONLY UNLESS OTHERWISE STATED  
 5. PACKAGING: IPIECE IN A BAG  
 6. PN INFORMATION

PIN ARRANGEMENT A-CODE		
T411101X02X-000	T411101X03X-000	T411101X04X-000

T4111012081-000	RPC-M12-MS-8CON-PG9-SHU
T4111011081-000	RPC-M12-MS-8CON-PG7-SHU
T4111012082-000	RPC-M12-MS-8CON-PG9-SH
T4111011082-000	RPC-M12-MS-8CON-PG7-SH
T4111012051-000	RPC-M12-MS-5CON-PG9-SHU
T4111011051-000	RPC-M12-MS-5CON-PG7-SHU
T4111012052-000	RPC-M12-MS-5CON-PG9-SH
T4111011052-000	RPC-M12-MS-5CON-PG7-SH
T4111012041-000	RPC-M12-MS-4CON-PG9-SHU
T4111011041-000	RPC-M12-MS-4CON-PG7-SHU
T4111012042-000	RPC-M12-MS-4CON-PG9-SH
T4111011042-000	RPC-M12-MS-4CON-PG7-SH
T4111012031-000	RPC-M12-MS-3CON-PG9-SHU
T4111011031-000	RPC-M12-MS-3CON-PG7-SHU
T4111012032-000	RPC-M12-MS-3CON-PG9-SH
T4111011032-000	RPC-M12-MS-3CON-PG7-SH
T4111012021-000	RPC-M12-MS-2CON-PG9-SHU
T4111011021-000	RPC-M12-MS-2CON-PG7-SHU
T4111012022-000	RPC-M12-MS-2CON-PG9-SH
T4111011022-000	RPC-M12-MS-2CON-PG7-SH
TE PN	TYPE

T411101XXXX-000  
 CONTACT FINISH:  
 1: GOLD OVER NICKEL  
 2: SILVER OVER NICKEL  
 NUMBERS OF PINS:  
 02: 2 PINS  
 03: 3 PINS  
 04: 4 PINS  
 05: 5 PINS  
 08: 8 PINS  
 CABLE OUTLET:  
 1: PG7(CABLE FEED: 4-6mm)  
 2: PG9(CABLE FEED: 6-8mm)

THIS DRAWING IS A CONTROLLED DOCUMENT.		DWN Nick Pan 24AUG2015	TE Connectivity	
		CHK Kobby Zhao 24AUG2015		
DIMENSIONS: mm		APVD Xiang Xu 24AUG2015	NAME M12 MALE, STRAIGHT SHIELDED CONNECTOR A CODE, SCREW TERMINAL	
TOLERANCES UNLESS OTHERWISE SPECIFIED: 0 PLC ± 1 PLC ±0.25 2 PLC ±0.15 3 PLC ± 4 PLC ±		PRODUCT SPEC 108-106140	SIZE A2	
MATERIAL		APPLICATION SPEC 114-137144	DRAWING NO. C-T411101XXXX000	
		WEIGHT	RESTRICTED TO	
		CUSTOMER DRAWING	SCALE 2:1 SHEET 1 OF 1 REV A2	