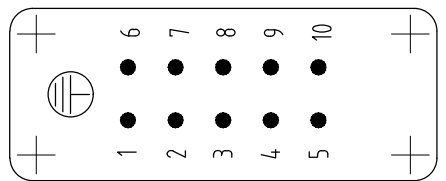
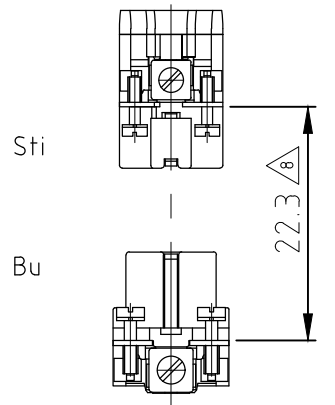


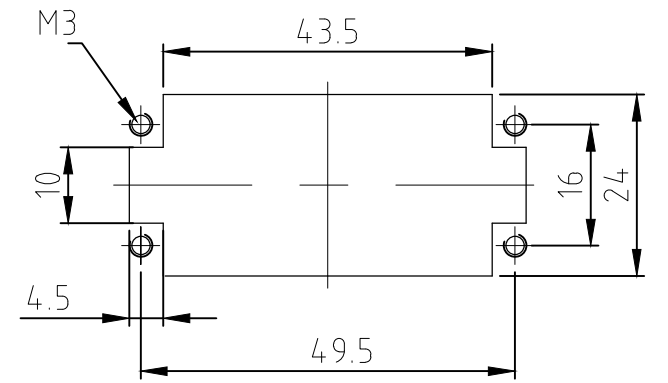
Contact arrangement / view from termination side



Assembling instruction
 △ ⁸ DISTANCE FOR SAFETY CONTACT MARKING MAX. 24 mm



Panel cut-out for contact insert when used without housing



- NOTES
- SUITABLE CRIMP CONTACTS: SERIES HE/HA
OUTER DIMENSIONS OF INSULATION: MAX. Ø3,2 MM
 - SUITABLE HOOD SIZE 2: SERIES HA; HD
SUITABLE INSERTION AND EXTRACTION TOOL:
SCREWDRIVER 0,5x3 DIN 5264
 - Strip lenght: Screw conection 10mm
Spring clamp conection 10mm Crimp conection 7.5mm
 - STANDARDS:
DIN EN 61984; DIN EN 60664-1
- △⁵ PACKAGING
10 SETS IN A CARTON, PRE-MOUNTED
 - △⁶ SPECIAL PACKAGING
200 PIECES IN A KANN-BAN BOT
 - △⁷ SPECIAL PACKAGING
100 PIECES IN A KANN-BAN BOT

DESCRIPTION / BENENNUNG	MATERIAL	Surface	COLOR / FARBE	ITEM NO. POS.	NOTES
fixing screw	stainl. steel	blank/even		8	M3x10
fixing screw	Stahl/steel	nickel plated	blue	7	M3x10
socket insert screw	PBT		light beige	6	with AU contact
cover spring strain clip	PBT		light beige	5	
cover crimp	PBT		light beige	4	
cover screw	PBT		light beige	3	
socket insert spring strain clip	PBT		light beige	2	
socket insert crimp&screw	PBT		light beige	1	

HA:10.Bu.S.WIE	HA:10.Bu.C.OBS	HA:10.Bu.S.KM	HA:10.Bu.S.OBS	HA:10.Bu.S.VA.	HA:10.Bu.S.AU	HA:10.Bu.C.VA.	HA:10.Bu.SC	HA:10.Bu.C	HA:10.Bu.S
1	1	1	1	1	1	1	1	1	1

ORDERING TEXT / BESTELL TEXT

THIS DRAWING IS A CONTROLLED DOCUMENT.
DIESE ZEICHNUNG IST EIN KONTROLLIERTES DOKUMENT.

DIMENSIONS: MASSE/NHEITEN: mm

TOLERANCES UNLESS OTHERWISE SPECIFIED: ALLGEMEINTOLERANZEN

0 PLC	±
1 PLC	±
2 PLC	±
3 PLC	±
4 PLC	±
ANGLES / WINKEL	±

MATERIAL: -

FINISH/OBERFLAECHE/FARBE: -

DWN: Schneider 08.02.2000
CHK: Schweiger 08.02.2000
APVD: -

NAME: -

PRODUCT SPEC: 108-74007
APPLICATION SPEC: 114-74009

SIZE: A3
CAGE CODE: 00779
DRAWING NO: C-1103415
RESTRICED TO NUR FUER: -

CUSTOMER DRAWING/KUNDENZEICHNUNG
SCALE: 1:1
SHEET: 1 OF 1
REV: D4