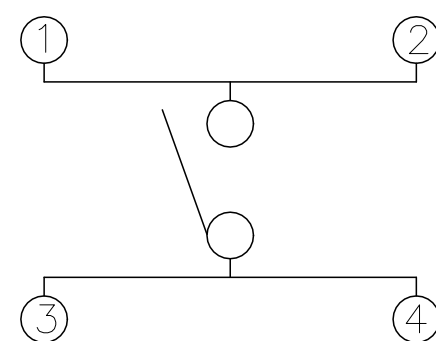
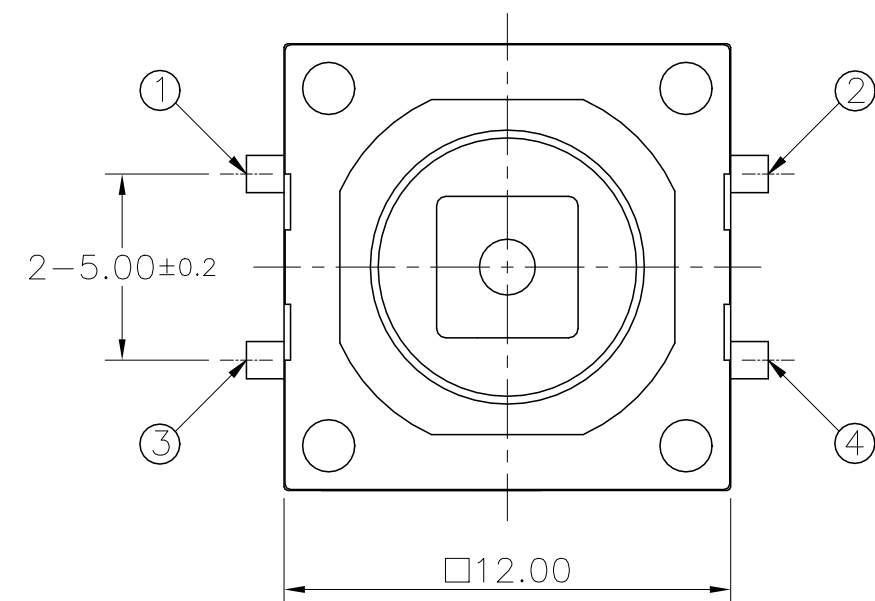


REVISIONS

P	LTR	DESCRIPTION	DATE	DWN	APVD
	A	INITIAL RELEASE	08NOV2022	BB	DM

DRAWING NUMBER	TE PN	TE DESCRIPTIVE PN	IP	OPERATING FORCE	LIFE CYCLE
2425754	2425754-1	Ultra-long Life tactile 12x12, 260gf	67	260gf ± 70gf	10,000,000



CIRCUIT DIAGRAM

SPECIFICATIONS:

MATERIALS:

CASE: PPA UL94HB
 ACTUATOR: PPA UL94HB
 COVER: STAINLESS STEEL. TAPE: PI TAPE
 MOVING CONTACT: STAINLESS STEEL Ag Clad
 FIXED CONTACT/TERMINAL: BRASS Ag PLATING

ELECTRICAL:

CONTACT RATING: 50mA @12V DC.
 CONTACT RESISTANCE: 100mΩ MAX.
 INSULATION RESISTANCE: 100MΩ MIN. @100V DC.
 DIALECTRIC STRENGHT: 250V AC FOR 1 MINUTE.
 LIFE EXPECTANCY: SEE P/N TABLE.

MECHANICAL:

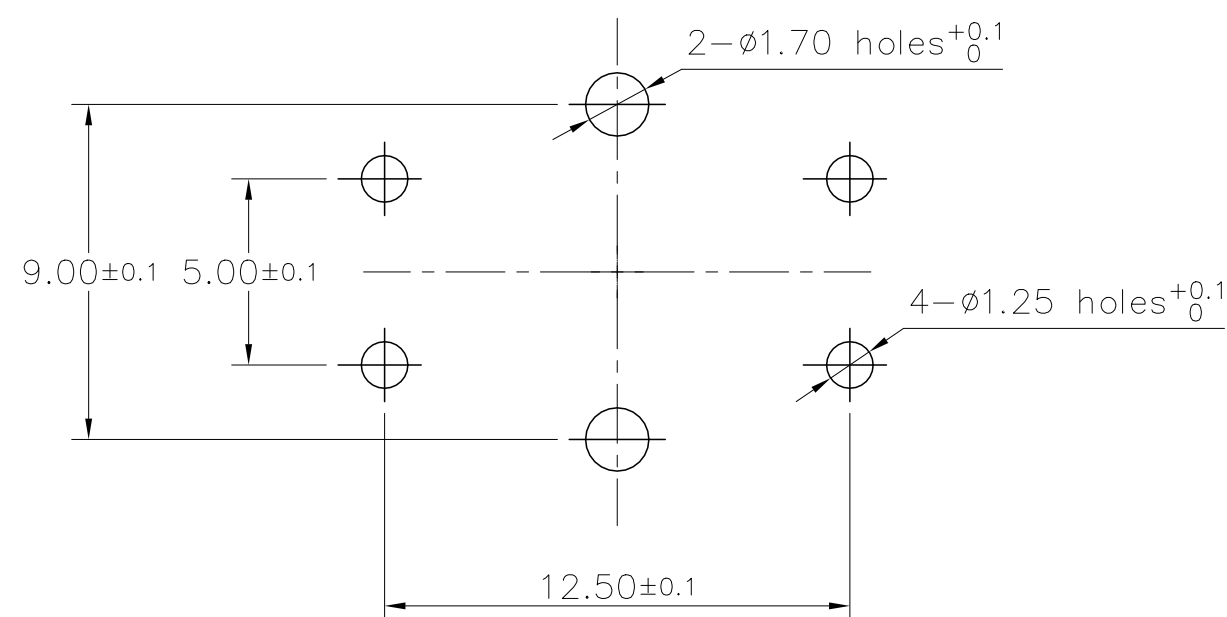
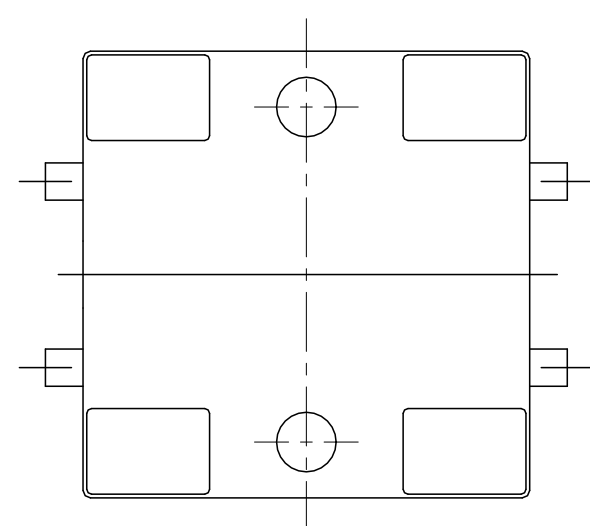
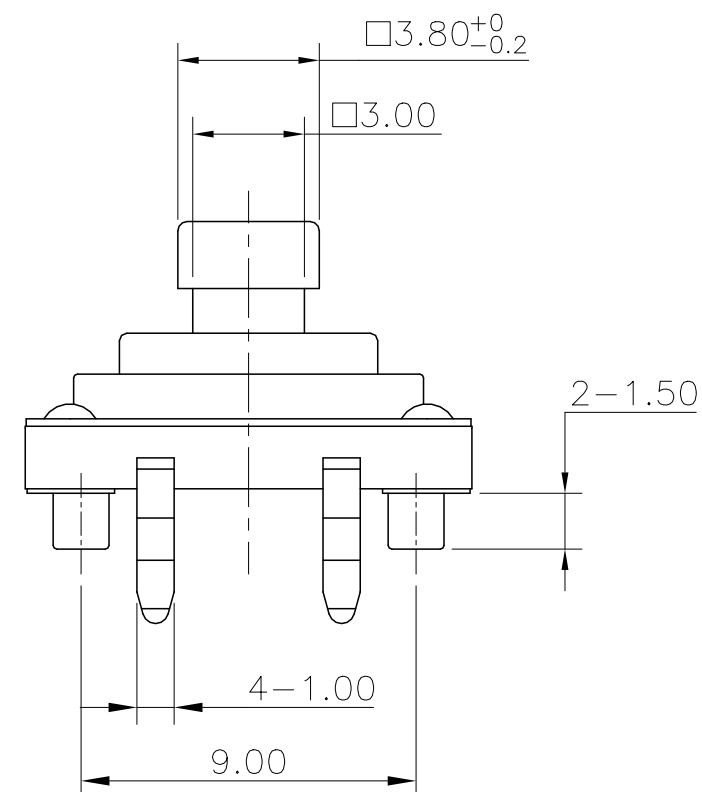
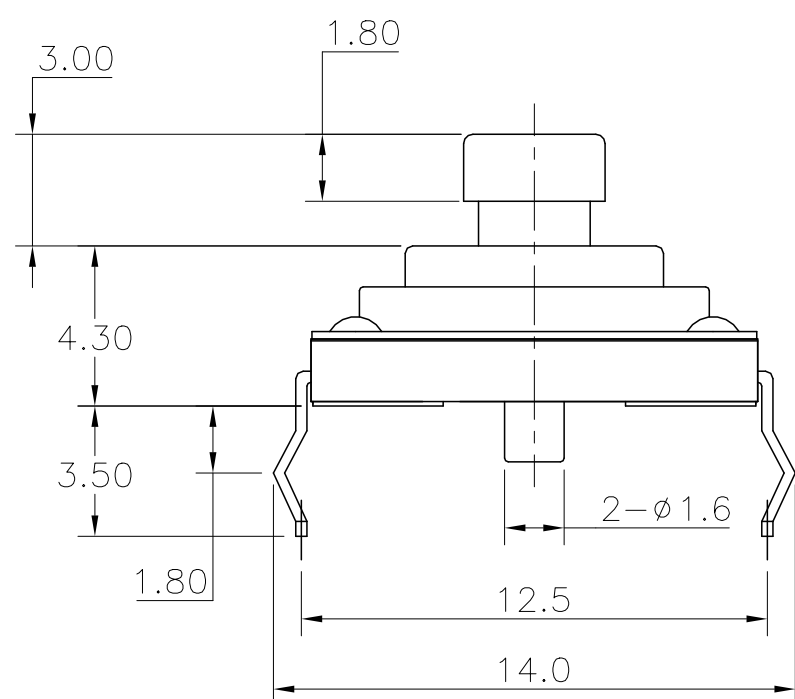
ACTUATOR FORCE: SEE P/N TABLE.
 ACTUATOR TRAVEL: 0.30^{+0.2}_{-0.1} mm
 LIFE EXPECTANCY: SEE P/N TABLE.

ENVIRONMENTAL:

OPERATING TEMPERATURE: -40°C TO 90°C.
 STORAGE TEMPERATURE: -40°C TO 90°C.
 SOLDERABILITY: REFLOW: FOR PREHEAT 150 - 175°C. 40 - 80 SEC., PEAK TEMP. 260°C max, TEMP. AREA 260°C, 1 - 4 SEC (2 times max)

NOTES:

1. DIMENSIONS IN MILLIMETERS
2. GENERAL TOLERANCE ±0.3mm



P.C.B MOUNTING HOLE DIMENSION

THIS DRAWING IS A CONTROLLED DOCUMENT.		DWN BALAJI. B 08NOV2022	TE Connectivity	
DIMENSIONS: mm		CHK DAVID MALDONADO 08NOV2022		
TOLERANCES UNLESS OTHERWISE SPECIFIED:		APVD DAVID MALDONADO 08NOV2022	NAME Ultra-long Life tactile 12x12, 260gf	
0 PLC ± -		PRODUCT SPEC	SIZE A2 CAGE CODE 00779 DRAWING NO C=2425754 RESTRICTED TO -	
1 PLC ± -		APPLICATION SPEC	SCALE NTS SHEET 1 OF 1 REV A	
2 PLC ± -				
3 PLC ± -				
4 PLC ± -				
ANGLES ± -				
MATERIAL -		FINISH -	CUSTOMER DRAWING	