

KGS-MSTB 2,5/16 - Cable housing



1783850

<https://www.phoenixcontact.com/pc/products/1783850>

Please be informed that the data shown in this PDF document is generated from our online catalog. Please find the complete data in the user documentation. Our general terms of use for downloads are valid.

Cable housing, pitch: 0 mm, number of positions: 16, dimension a: 80 mm, color: green



Commercial data

Item number	1783850
Packing unit	10 pc
Minimum order quantity	1 pc
Product key	AAHZDD
Catalog page	Page 349 (C-1-2013)
GTIN	4017918042035
Weight per piece (including packing)	24.66 g
Weight per piece (excluding packing)	23.65 g
Customs tariff number	39269097
Country of origin	PL

KGS-MSTB 2,5/16 - Cable housing

1783850

<https://www.phoenixcontact.com/pc/products/1783850>

Technical data

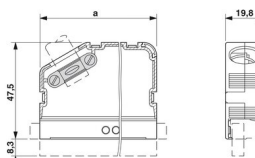
Product properties

Product type	Cable housing
Product family	KGS-MSTB 2,5
Number of positions	16
Pitch	0.00 mm

Material specifications

Color	green
Flammability rating according to UL 94	HB
Insulating material group	I
Insulating material	ABS

Dimensions

Dimensional drawing	
Pitch	0.00 mm

KGS-MSTB 2,5/16 - Cable housing

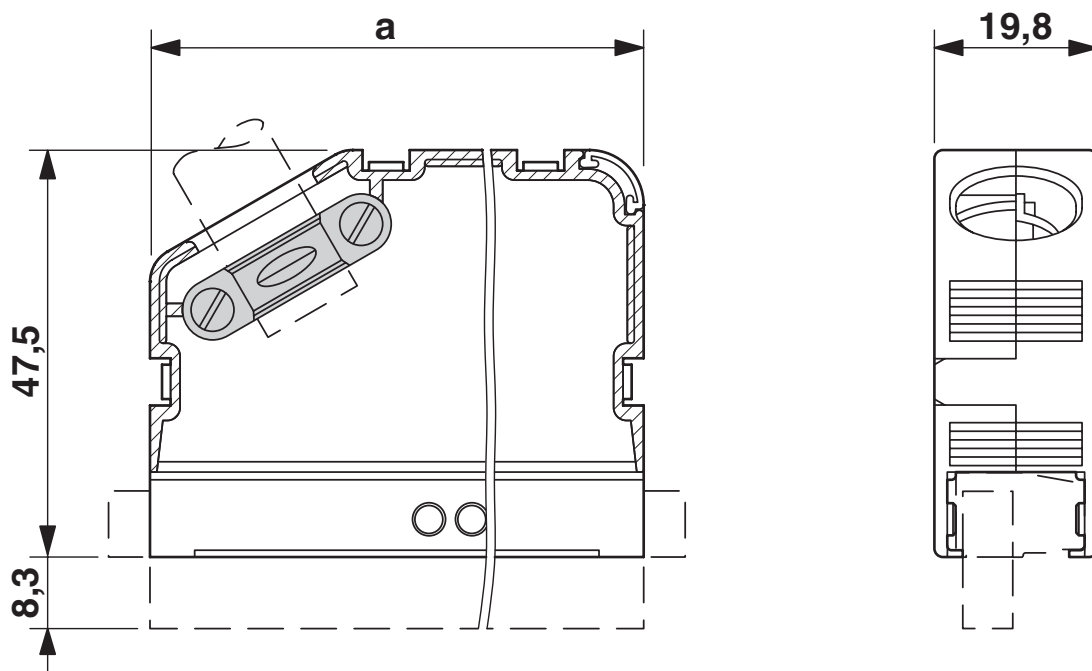
1783850

<https://www.phoenixcontact.com/pc/products/1783850>



Drawings

Dimensional drawing



KGS-MSTB 2,5/16 - Cable housing



1783850

<https://www.phoenixcontact.com/pc/products/1783850>

Classifications

ECLASS

ECLASS-11.0	27460402
ECLASS-12.0	27460402
ECLASS-13.0	27460402

ETIM

ETIM 9.0	EC002943
----------	----------

UNSPSC

UNSPSC 21.0	39121400
-------------	----------

KGS-MSTB 2,5/16 - Cable housing



1783850

<https://www.phoenixcontact.com/pc/products/1783850>

Environmental product compliance

China RoHS	Environmentally friendly use period: unlimited = EFUP-e No hazardous substances above threshold values
------------	---

KGS-MSTB 2,5/16 - Cable housing

1783850

<https://www.phoenixcontact.com/pc/products/1783850>

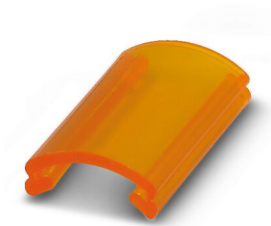


Accessories

KGS-MSTB 2,5/ DST - Cable housing

1784914

<https://www.phoenixcontact.com/pc/products/1784914>



Transparent label carrier, can be marked with marker strips SBS 2.5/7.5

SBS 2,5/7,5 - Marker for terminal blocks

1007604

<https://www.phoenixcontact.com/pc/products/1007604>



Marker for terminal blocks, Card, white, unlabeled, can be labeled with: Marker pen, perforated, mounting type: snap in, snap into flat marker groove, for terminal block width: 7.5 mm, lettering field size: 15 x 7.5 mm, Number of individual labels: 10

KGS-MSTB 2,5/16 - Cable housing

1783850

<https://www.phoenixcontact.com/pc/products/1783850>



KD-KGS-MSTB - Accessories

1804658

<https://www.phoenixcontact.com/pc/products/1804658>

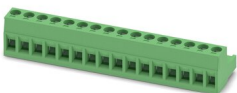


Molded cable strain relief, suitable for KGS-... cable housings, prevents the cable from being bent

MSTB 2,5/16-ST - PCB connector

1754724

<https://www.phoenixcontact.com/pc/products/1754724>



PCB connector, nominal cross section: 2.5 mm², color: green, nominal current: 12 A, rated voltage (III/2): 320 V, contact surface: Tin, contact connection type: Socket, number of potentials: 16, number of rows: 1, number of positions: 16, number of connections: 16, product range: MSTB 2,5/..-ST, pitch: 5 mm, connection method: Screw connection with tension sleeve, screw head form: L Slotted, conductor/PCB connection direction: 0 °, locking clip: - Locking clip, plug-in system: COMBICON MSTB 2,5, locking: without, mounting: without, type of packaging: packed in cardboard

KGS-MSTB 2,5/16 - Cable housing

1783850

<https://www.phoenixcontact.com/pc/products/1783850>

MSTB 2,5/16-ST-5,08 - PCB connector

1757158

<https://www.phoenixcontact.com/pc/products/1757158>



PCB connector, nominal cross section: 2.5 mm², color: green, nominal current: 12 A, rated voltage (III/2): 320 V, contact surface: Tin, contact connection type: Socket, number of potentials: 16, number of rows: 1, number of positions: 16, number of connections: 16, product range: MSTB 2,5/..-ST, pitch: 5.08 mm, connection method: Screw connection with tension sleeve, screw head form: L Slotted, conductor/PCB connection direction: 0 °, locking clip: - Locking clip, plug-in system: COMBICON MSTB 2,5, locking: without, mounting: without, type of packaging: packed in cardboard

MSTB 2,5/16-STF - PCB connector

1786970

<https://www.phoenixcontact.com/pc/products/1786970>



PCB connector, nominal cross section: 2.5 mm², color: green, nominal current: 12 A, rated voltage (III/2): 320 V, contact surface: Tin, contact connection type: Socket, number of potentials: 16, number of rows: 1, number of positions: 16, number of connections: 16, product range: MSTB 2,5/..-STF, pitch: 5 mm, connection method: Screw connection with tension sleeve, screw head form: L Slotted, conductor/PCB connection direction: 0 °, locking clip: - without locking clip, plug-in system: COMBICON MSTB 2,5, locking: Screw locking mechanism, mounting: Screw flange, type of packaging: packed in cardboard

KGS-MSTB 2,5/16 - Cable housing

1783850

<https://www.phoenixcontact.com/pc/products/1783850>

MSTB 2,5/16-STF-5,08 - PCB connector

1778124

<https://www.phoenixcontact.com/pc/products/1778124>

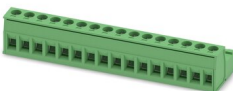


PCB connector, nominal cross section: 2.5 mm², color: green, nominal current: 12 A, rated voltage (III/2): 320 V, contact surface: Tin, contact connection type: Socket, number of potentials: 16, number of rows: 1, number of positions: 16, number of connections: 16, product range: MSTB 2,5/...-STF, pitch: 5.08 mm, connection method: Screw connection with tension sleeve, screw head form: L Slotted, conductor/PCB connection direction: 0 °, locking clip: - without locking clip, plug-in system: COMBICON MSTB 2,5, locking: Screw locking mechanism, mounting: Screw flange, type of packaging: packed in cardboard

IC 2,5/16-ST-5,08 - PCB connector

1786310

<https://www.phoenixcontact.com/pc/products/1786310>



PCB connector, nominal cross section: 2.5 mm², color: green, nominal current: 12 A, rated voltage (III/2): 320 V, contact surface: Tin, contact connection type: Pin, number of potentials: 16, number of rows: 1, number of positions: 16, number of connections: 16, product range: IC 2,5/...-ST, pitch: 5.08 mm, connection method: Screw connection with tension sleeve, screw head form: L Slotted, conductor/PCB connection direction: 0 °, locking clip: - without locking clip, plug-in system: COMBICON MSTB 2,5, locking: without, mounting: without, type of packaging: packed in cardboard

KGS-MSTB 2,5/16 - Cable housing

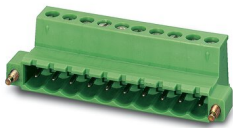
1783850

<https://www.phoenixcontact.com/pc/products/1783850>

IC 2,5/16-STF-5,08 - PCB connector

1825459

<https://www.phoenixcontact.com/pc/products/1825459>



PCB connector, nominal cross section: 2.5 mm², color: green, nominal current: 12 A, rated voltage (III/2): 320 V, contact surface: Tin, contact connection type: Pin, number of potentials: 16, number of rows: 1, number of positions: 16, number of connections: 16, product range: IC 2,5/...-STF, pitch: 5.08 mm, connection method: Screw connection with tension sleeve, screw head form: L Slotted, conductor/PCB connection direction: 0 °, locking clip: - without locking clip, plug-in system: COMBICON MSTB 2,5, locking: Screw locking mechanism, mounting: Screw flange, type of packaging: packed in cardboard

GMSTB 2,5/11-ST - PCB connector

1766974

<https://www.phoenixcontact.com/pc/products/1766974>



PCB connector, nominal cross section: 2.5 mm², color: green, nominal current: 12 A, rated voltage (III/2): 630 V, contact surface: Tin, contact connection type: Socket, number of potentials: 11, number of rows: 1, number of positions: 11, number of connections: 11, product range: GMSTB 2,5/...-ST, pitch: 7.5 mm, connection method: Screw connection with tension sleeve, screw head form: L Slotted, conductor/PCB connection direction: 0 °, locking clip: - Locking clip, plug-in system: COMBICON MSTB 2,5, locking: without, mounting: without, type of packaging: packed in cardboard

KGS-MSTB 2,5/16 - Cable housing

1783850

<https://www.phoenixcontact.com/pc/products/1783850>



GMSTB 2,5/11-ST-7,62 - PCB connector

1767096

<https://www.phoenixcontact.com/pc/products/1767096>



PCB connector, nominal cross section: 2.5 mm², color: green, nominal current: 12 A, rated voltage (III/2): 630 V, contact surface: Tin, contact connection type: Socket, number of potentials: 11, number of rows: 1, number of positions: 11, number of connections: 11, product range: GMSTB 2,5/...-ST, pitch: 7.62 mm, connection method: Screw connection with tension sleeve, screw head form: L Slotted, conductor/PCB connection direction: 0 °, locking clip: - Locking clip, plug-in system: COMBICON MSTB 2,5, locking: without, mounting: without, type of packaging: packed in cardboard

Phoenix Contact 2023 © - all rights reserved

<https://www.phoenixcontact.com>

PHOENIX CONTACT GmbH & Co. KG

Flachsmarktstraße 8

D-32825 Blomberg

+49 (0) 5235-3 00

info@phoenixcontact.com