

# JBC C120008

## Blade Cartridge 3.5 Left

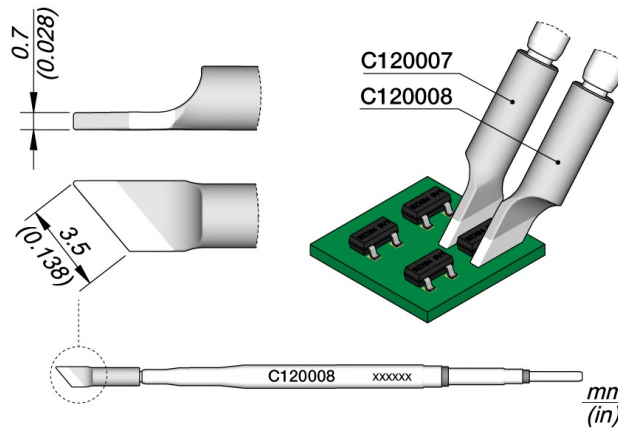
This cartridge has been designed to work with the [C120-007](#) due to the shape of the tip.

C120 cartridges are appropriate for soldering and desoldering chip components or dual in line easily, reducing handling time.

They work with Micro Tweezers which enables to align the cartridges according to the user needs.

[JBC Long Life Tips](#) offer instant heat up, excellent heat transfer and great durability.

They last 5 times longer than other brands thanks to the JBC Most Efficient Soldering System and the Sleep & Hibernation features.



**Cartridges are sold individually**

### REFERENCE

**C120008**

### PRODUCT COMPOSITION

1 [Instruction Manual](#)

Copyright © 2024 JBC Soldering S.L. | [Legal Notice](#) | [Privacy Policy](#) | [Terms and Conditions](#) | [Cookie policy](#) | [Internal Communication](#) | [RSS Feed](#) | [JBC Store](#) | [Contact Us](#)

### SPECIFICATIONS

**Net weight** 0,002 kg (0.00lb)

#### WEIGHT AND DIMENSIONS

2 gr (0.00 lb)

15 gr (0.03 lb)

110 x 12 x 12 mm

## CONNECTABLES

### Compatible tools



PA120-A

Micro Tweezers



AM120-A

Adjustable Micro Tweezers

This website uses own and third-party technical, analysis and advertising cookies to anonymously facilitate browsing, customise the advertising and analyse website use statistics. We deem that by continuing to browse you accept their use.

[Learn more](#)

[Manage Preferences](#)

[Reject All](#)

[Accept All](#)