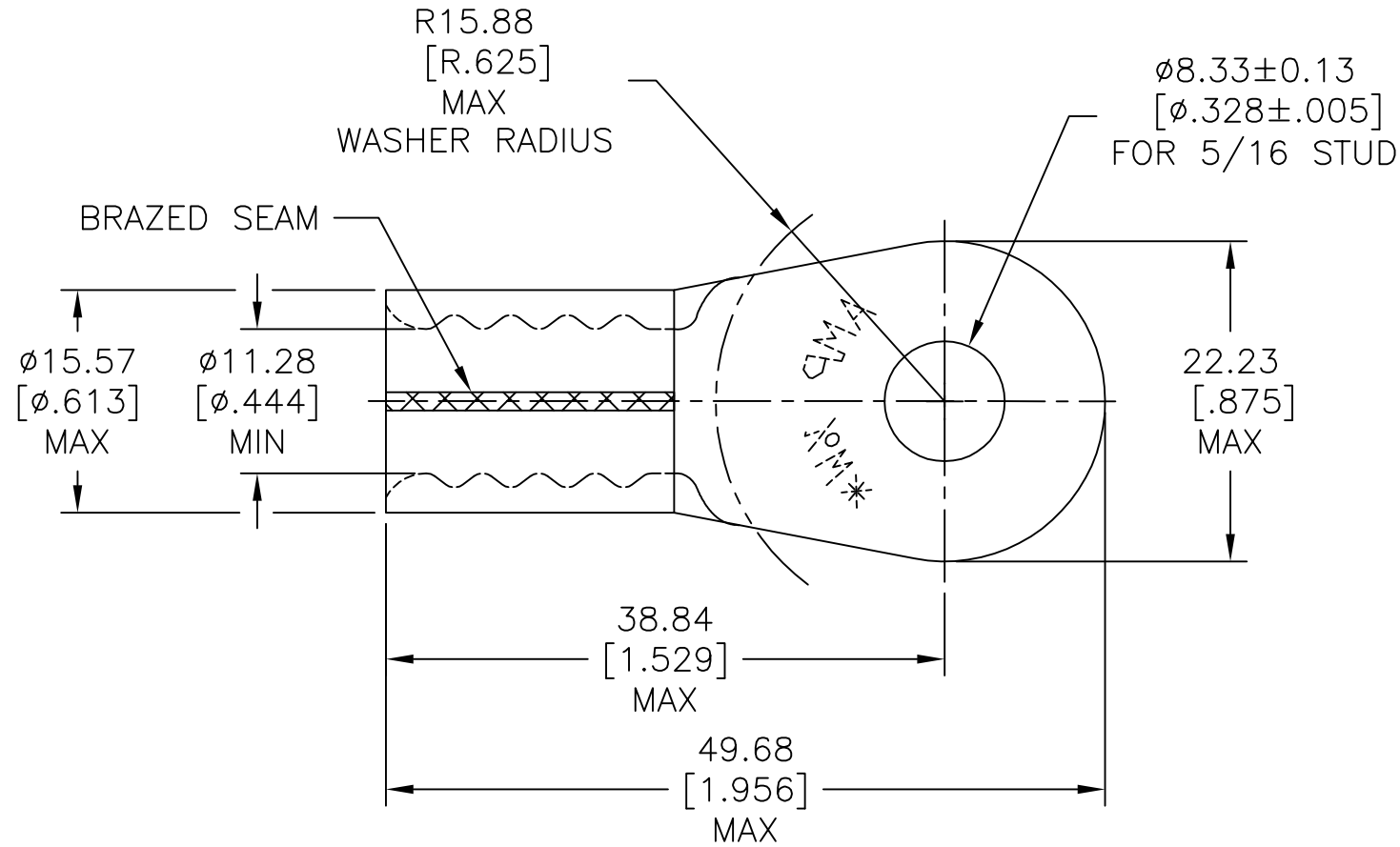


P	LTR	DESCRIPTION	DATE	DWN	APVD
	J2	REV PER ECR 09-017201	30JUL09	JR	TM
	J3	REVISED PER ECO-17-004099	23AUG2017	RS	DR



AMP WIRE RANGE	E13288 Listed	LR7189 Certified
1/0 AWG SOLID OR STRANDED	1/0 AWG SOLID OR STRANDED	1/0 AWG SOLID OR STRANDED

1 TIN PL 0.00254[.000100] MIN THK PER ASTM B-545.

50	LOOSE PIECE	1	COPPER ASTM B-152 1.78±0.08[.070±.003] ANNEALED	36916
QTY	PACKAGE TYPE	FINISH	MATERIAL	PART NO.

MAX RECOMMENDED OPERATING TEMPERATURE: 170°C [338°F] MAX VOLTAGE RATING: N/A CIRCULAR MIL AREA: 42.4-60.6mm ² [83,700-119,500] SOLID OR STRANDED	THIS DRAWING IS A CONTROLLED DOCUMENT.		DWN DK SCHRUM 7/2/91 CHK RD HEIM 8/15/91 APVD AJ KAUFMAN 8/16/91 PRODUCT SPEC APPLICATION SPEC WEIGHT -	TE Connectivity NAME TERMINAL, RING TONGUE, SOLISTRAND, WIRE SIZE: 50.0mm ² [1/0] AWG			RESTRICTED TO
	DIMENSIONS: mm [INCHES]	TOLERANCES UNLESS OTHERWISE SPECIFIED: 0 PLC ± - 1 PLC ± - 2 PLC ± 0.20[.008] 3 PLC ± - 4 PLC ± - ANGLES ± - FINISH	MATERIAL SEE TABLE	SEE TABLE	SIZE A3	CAGE CODE 00779	DRAWING NO C-36916
CUSTOMER DRAWING			SCALE 2:1	SHEET 1 OF 1	REV J3		