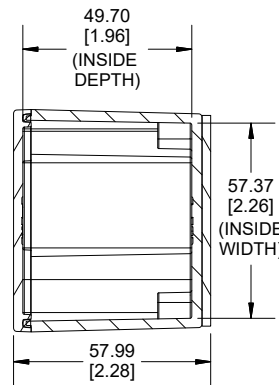
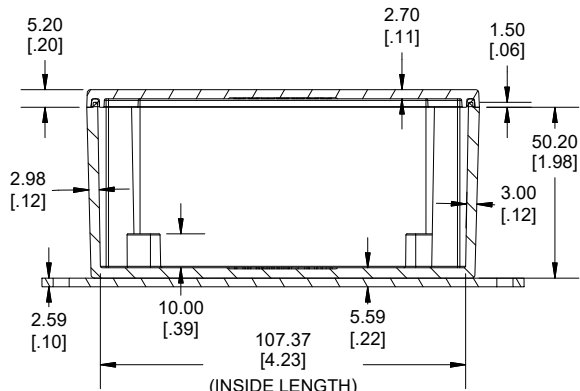
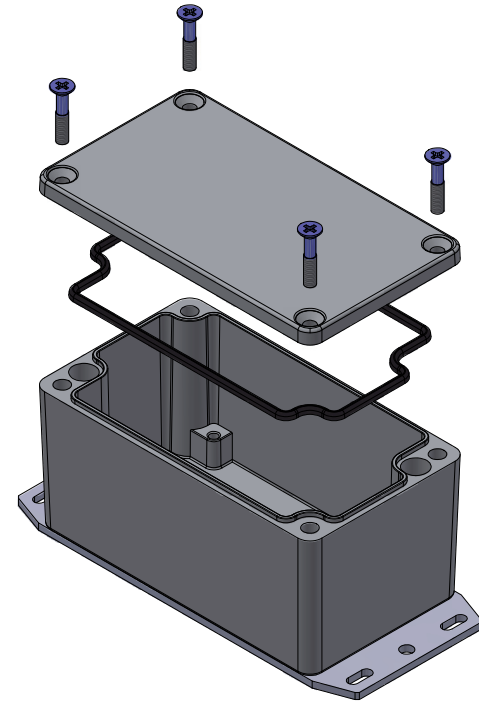


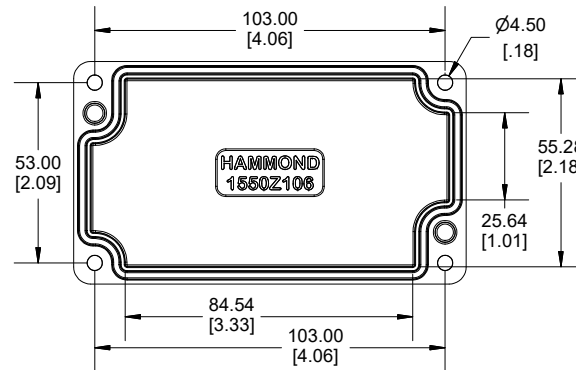
**TOP VIEW**



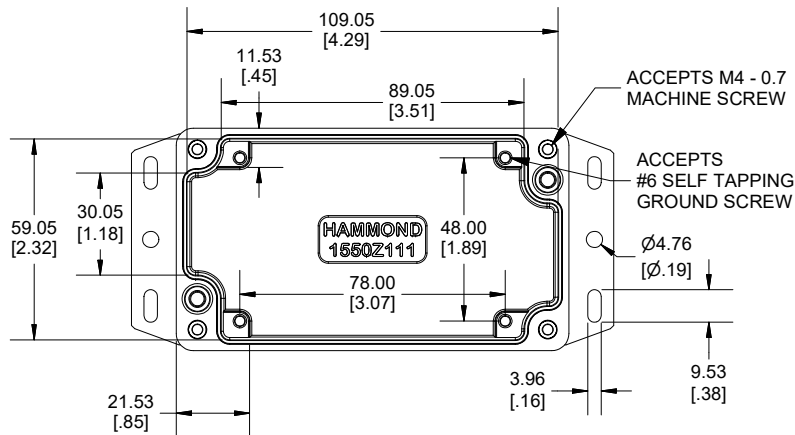
**SECTION A-A  
END VIEW**



**SECTION B-B  
SIDE VIEW**



**INSIDE LID**



**INSIDE BOX**

**Dimensions:**  
mm  
[inches]



Enclosures can be Factory Modified (Milling, Drilling, Printing etc.)  
Contact Factory ([modshop@hammfg.com](mailto:modshop@hammfg.com)) for quotes  
Solid models of this enclosure available in .stp or .x\_t  
(Part number and text placement/orientation on our products are subject to change,  
we do not recommend using them as a locating reference for modification purposes)

**NOTE**

Purchased assembly includes box, lid, silicone gasket, and 4 cover screws.  
Box and lid are made from Diecast Aluminum Alloy.  
Bottom flange is welded.

**Recommended Cover screw torque 5-7.5 lbf.in (50 -75 cN.m)**

**PART NUMBERS**

1550Z111 Flange Enclosure

Natural Finish Enclosure

1550Z111F

Black Textured Enclosure

1550Z111FBK

**ACCESSORIES**

Stainless Steel Cover screws  
[M4 - 0.7 x 20mm] (50 Pack)

SC1550Z103-50

Ground Hardware (50 Pack)  
#6 Phos. Bronze plate Lock Washer  
#6-32 x 5/16 Copper plate Self-Tapping screw

SCG060-50

Pre-Formed Silicone Gasket (2 Pack)

1550Z106GASKET



**HAMMOND**

**1550Z111F**

[www.hammondmfg.com](http://www.hammondmfg.com)