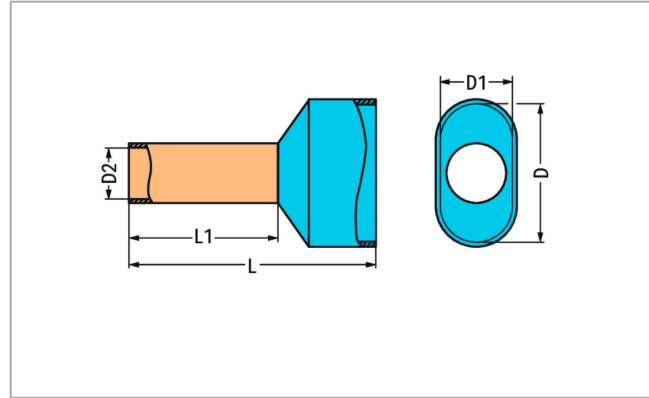
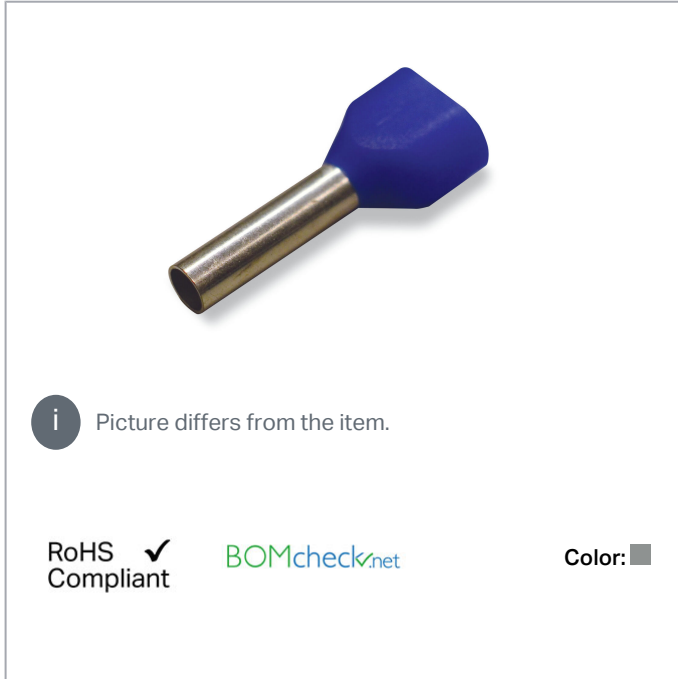


Data sheet | Item number: 216-541

Twin ferrule; insulated; Sleeve for 2 x 0.75 mm² / 2 x AWG 18; 12 mm long;
gray



www.wago.com/216-541



Data

Technical data

Main product function	Ferrule
Sleeve cross-section (AWG)	18 AWG
Sleeve for	0.75 mm ²

Connection data

Strip length	12 mm / 0.47 inch
Fine-stranded conductor	0.75 mm ² / 18 AWG

Physical data

Length	18 mm
Length 1	12 mm
Diameter	5.5 mm
Diameter 1	3 mm

Subject to changes. Please also observe the further product documentation!

WAGO Kontakttechnik GmbH & Co. KG
Hansastr. 27
32423 Minden
Phone: +49571 887-0 | Fax: +49571 887-169
Email: info.de@wago.com | Web: www.wago.com

Do you have any questions about our products?
We are always happy to take your call at 01788 568 008.

Diameter 2	1.7 mm
------------	--------

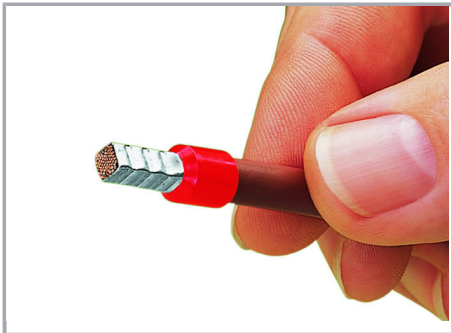
Material data

Color	gray
Weight	0.2 g

Commercial data

Packaging type	bag
Country of origin	US
GTIN	4055143492430
Customs tariff number	85369010000

Installation Notes



A perfect gas-tight crimp – both electrically and mechanically reliable

Subject to changes. Please also observe the further product documentation!