



Audio

Locking 1/4" Phone Jacks

[back](#)[Print](#)

NJ3FP6C-BAG



Locking 1/4" phone jack, D-size shell, black metal housing and silver contacts

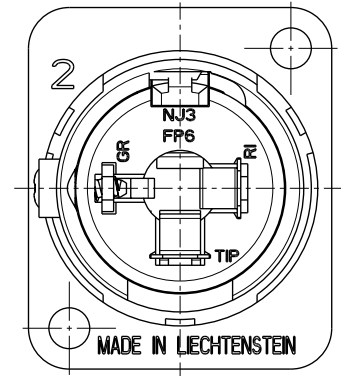
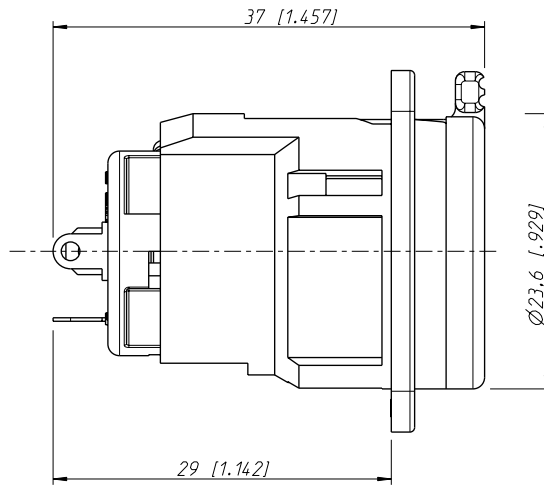
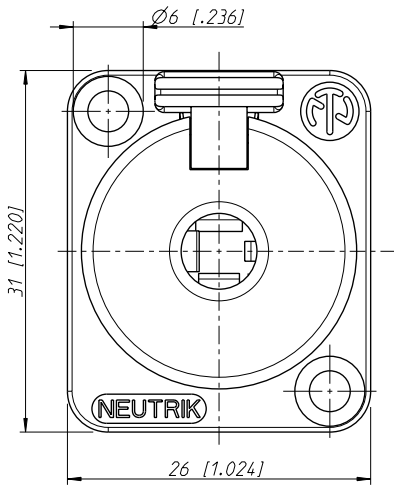
The 3 pole phone jack panel mount version provides stable and secure connections where accidental disconnect or shock and vibration may occur. It latches with standard A-gauge mono or stereo plugs. Plug locks-in automatically when mating and unlocks only by pressing red release tab. Standard D size front panel appearance. Selectable grounding options.

Features & Benefits

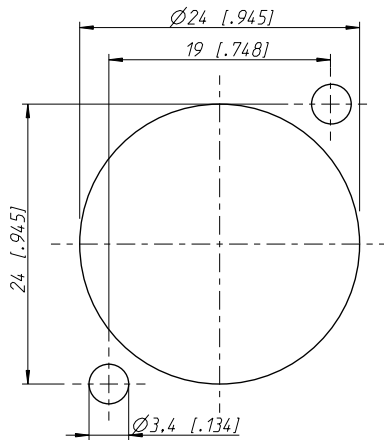
- Securely locking chassis jack
- Mates with all mono and stereo plugs specified acc. EIA RS-453 (A-gauge)
- Closable grounding options: standard isolated, to get a sleeve/panel connection red isolator on lateral screw must be removed
- Dimensionally compatible with D Series (31 x 26 mm)
- Solder terminals

ACCESSORIES





Frontplattenausschnitt (Rückseite)
Panel Cut Out (rear side)



Allgemeintoleranzen ISO 2768-m	Werkstoff	Massstab: 3:1 (A3)	Datum	Name
			26.04.90	Marlinek
Zeichnung urheberrechtlich geschützt (DIN 34) (C)	-	-	Gezeichnet	-
			Freigegeben	-
Benennung	-	-	Geändert	-
			Aend.-Nr.	Aend.-Index
NJ3FP6C		Ersatz fuer:		Blatt 1 von 1 Bl.
NEUTRIK AG FL-9494 SCHAAN		Zeichn. Nr.		ST-NJ3FP6C



Locking 1/4" Phone Jacks



NJ3FP6C-BAG

There are no technical infos for this product.

Product

Connector Type	Jack
Gender	female

Electrical

Contact resistance	< 6 mΩ (initial)
Dielectric strength	1 kVdc
Insulation resistance	≥ 1 GΩ @ 500 V dc
Rated current per contact	10 A

Mechanical

Insertion force	< 20 N
Withdrawal force	< 20 N
Lifetime	> 10000 mating cycles
Locking force	> 80 N
Wire size	1 mm ²
Wire size	18 AWG
Wiring	Solder contacts
Locking device	latch lock
Mounting direction	front
Chassis shape	D

Material

Contact plating	2 μm Ag
Contacts	Bronze (CuBe2)
Contacts	Brass (CuZn37) (Ground)
Insert	Polyamide (PA 6.6 30 % GR)
Shell	Zinc diecast (ZnAl4Cu1)
Shell plating	Black
Strain relief	Polyacetal (POM)

Environmental

Standard compliance	EIA RS 453, IEC 60603-11
Solderability	Complies with IEC 68-2-20
Temperature range	-25 °C to +70 °C

Optical

Mobile Cables