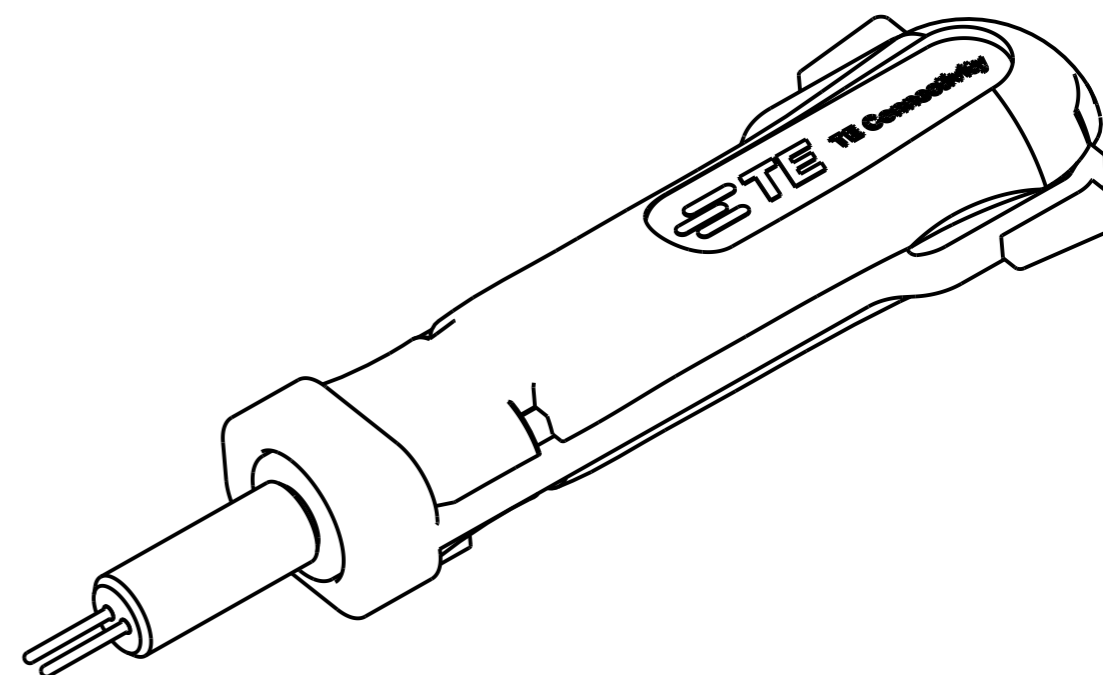
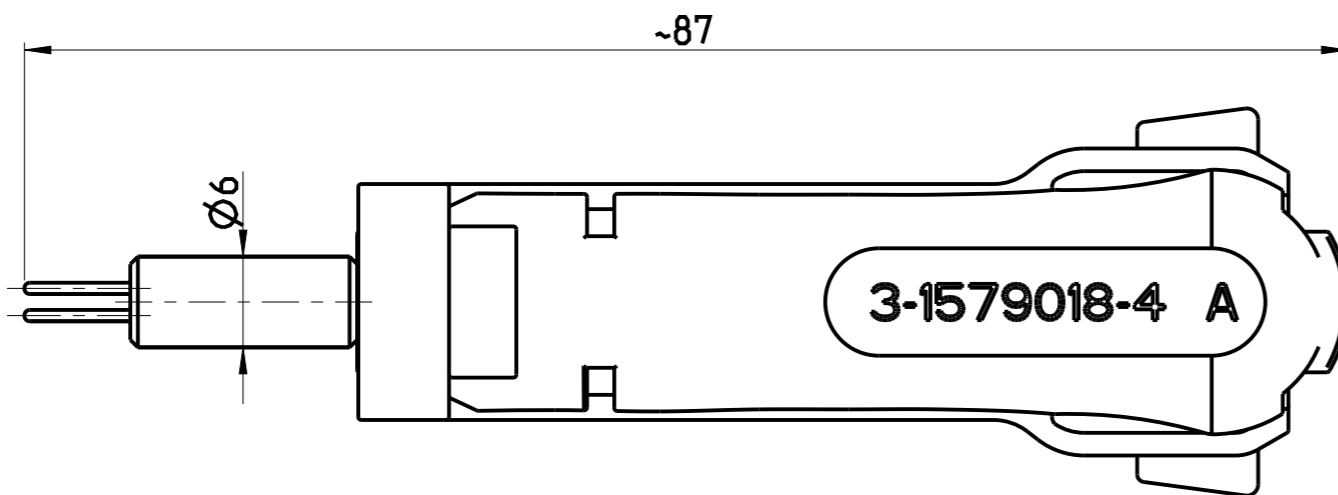
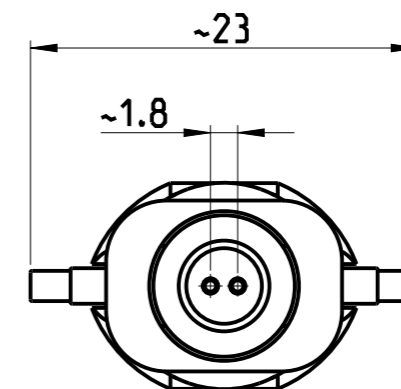
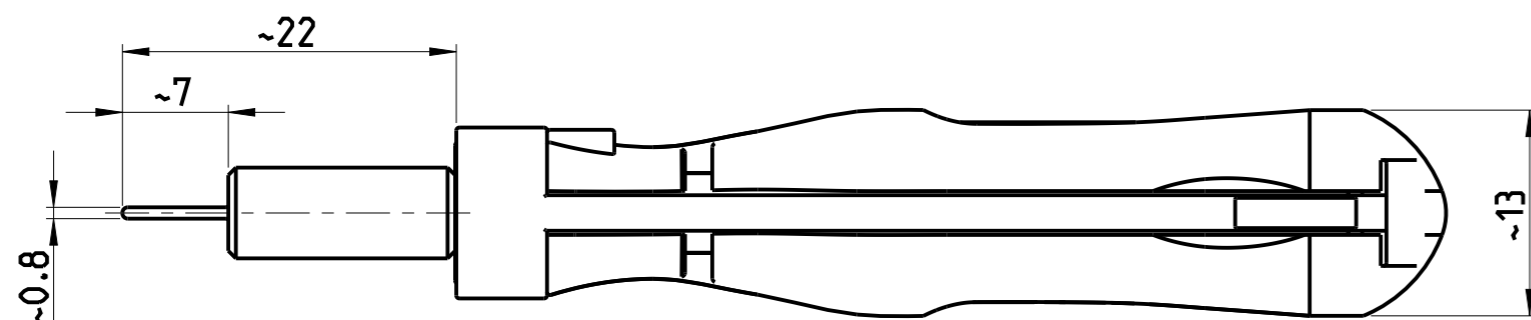


REVISIONS

P	LTR	DESCRIPTION	DATE	DWN	APVD
A1	ECR-17-004599		30MAR2017	KH	BM
A2	ECR-21-001695		12FEB2021	PNT	GS



APPLICATION RANGE / Anwendungsbereich:

FOR CONTACT HPF 1.5mm: 1563627
FOR HOUSING: 1564015

THIS DRAWING IS A CONTROLLED DOCUMENT.

DIMENSIONS:	TOLERANCES UNLESS OTHERWISE SPECIFIED:
mm	
	0 PLC ±
	1 PLC ±
	2 PLC ±
	3 PLC ±
	4 PLC ±
	ANGLES ±
MATERIAL	FINISH
-	-

DWN	L. Sandhu	29 JUN 2009
CHK	S. Samstag	29 JUN 2009
APVD	S. Samstag	29 JUN 2009
PRODUCT SPEC		
APPLICATION SPEC		
WEIGHT	0.015kg	
CUSTOMER DRAWING		



NAME				EXTRACTION TOOL Entriegelungswerkzeug	
SIZE	CAGE CODE	DRAWING NO	RESTRICTED TO		
A3	00779	C-3-1579018-4	-		
SCALE		SHEET	OF	REV	
2:1		1	1	A2	