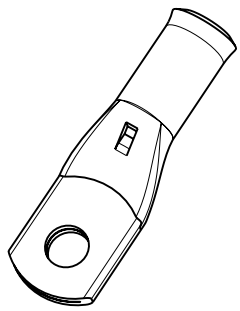
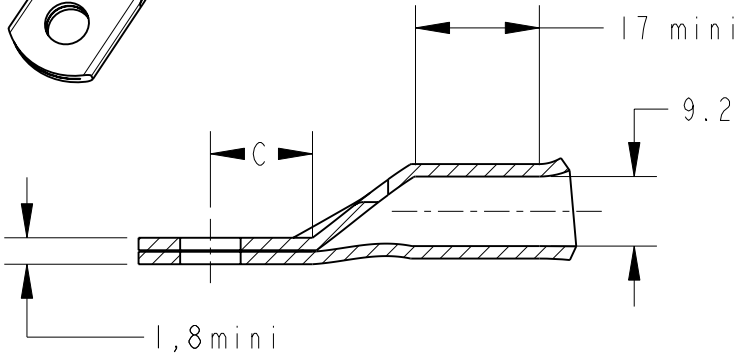


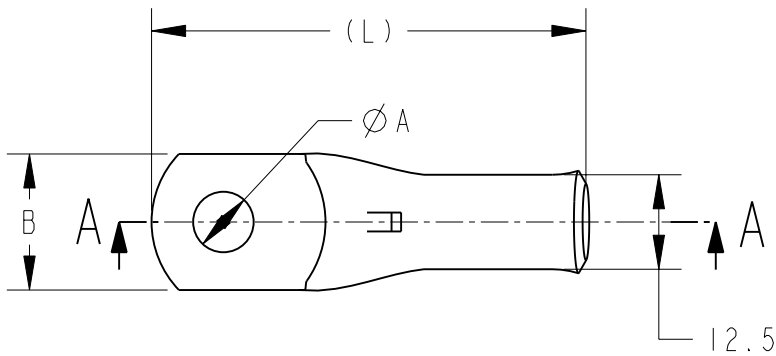
LOC	DIST	REVISIONS					
FH	00	P	LTR REV	DESCRIPTION MODIFICATIONS	DATE	DWN DESS.	APVD APP.
			EI	REVISED PER ECO-11-005150	28MAR2011	RK	HMR
			F	ECR-11-018538	07SEP2011	LP	NA



COUPE A-A




Ces produits répondent à la norme NFC 20-130.  
 These products are NFC 20-130 compliant.



(L)	C	B	ØA	DESCRIPTION	PART NUMBER
53	13,5	18	6,4	XCT 50-6	710025-3
53	13,5	18	8,3	XCT 50-8	710025-2
53	13,5	18	10,3	XCT 50-10	710025-5
53	13,5	19	12,8	XCT 50-12	710025-7

- 1 - MATERIAL = TINNED COPPER
- 2 - Marking in depth: logo-section-hole-Made in France +
- 3 - CABLE SECTION = 1/0AWG or 50mm<sup>2</sup>
- 4 - GROOVE E50Cu OR DIE (Punch 17P50+ Die 17M50)

TOLERANCES UNLESS OTHERWISE SPECIFIED: -  
 TOLERANCES NON SPECIFIEES: -

DIMENSIONS: mm	DWN/DESSINE D. LEGUY	15DEC00	MATERIAL MATIERE	CUIVRE	FINISH FINITION	ETAME			
	CHK/VERIFIE E. DEREY	-	 TE Connectivity						
TOLERANCES UNLESS OTHERWISE SPECIFIED: TOLERANCES NON SPECIFIEES (SUIV NB DE DECIMALES): 0 PLC/DEC: ±0 1 PLC/DEC: ±0 2 PLC/DEC: ±0 3 PLC/DEC: ±0 4 PLC/DEC: ±0 ANGLES ±-	APVD/APPROUVE N. ALMEIDA	-					NAME TITRE	XCT 50-..	
	PRODUCT SPEC SPEC. PRODUIT	-	SIZE FORMAT	CAGE CODE	DRAWING NO No PLAN	RESTRICTED TO RESERVE A			
	APPLICATION SPEC SPEC. APPLICATION	-	A4	00779	©-710025	-			
	WEIGHT MASSE APPROX.		CUSTOMER DRAWING /PLAN CLIENT		UNIQUEMENT POUR REFERENCE	SCALE ECHELLE - / -	SHEET FEUILLE 1	OF DE 1	REV F