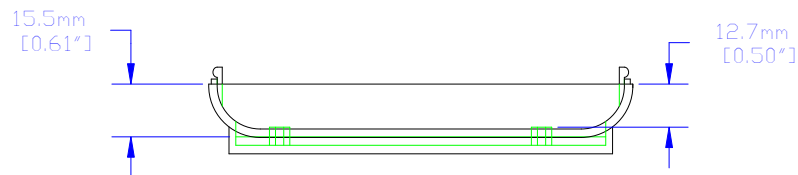
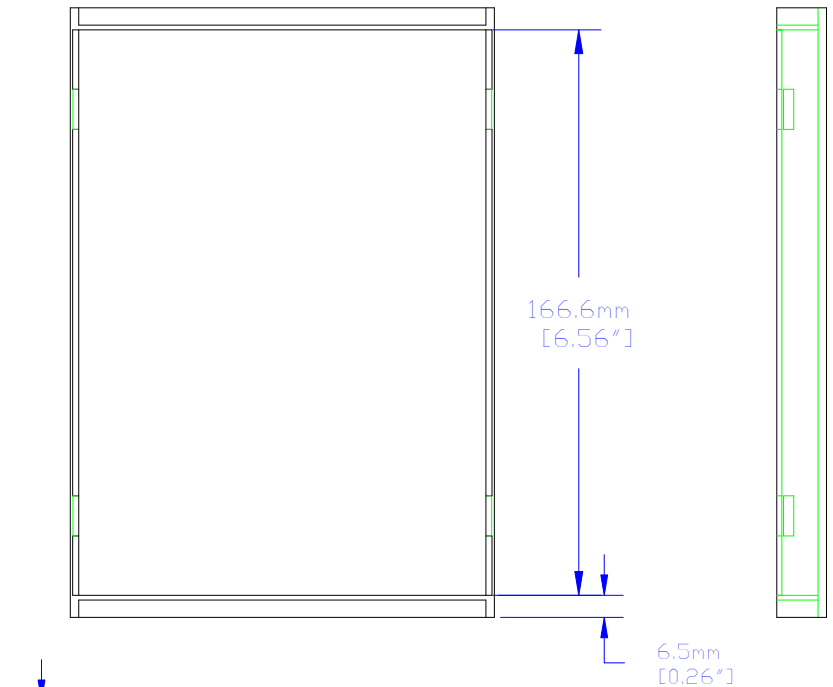
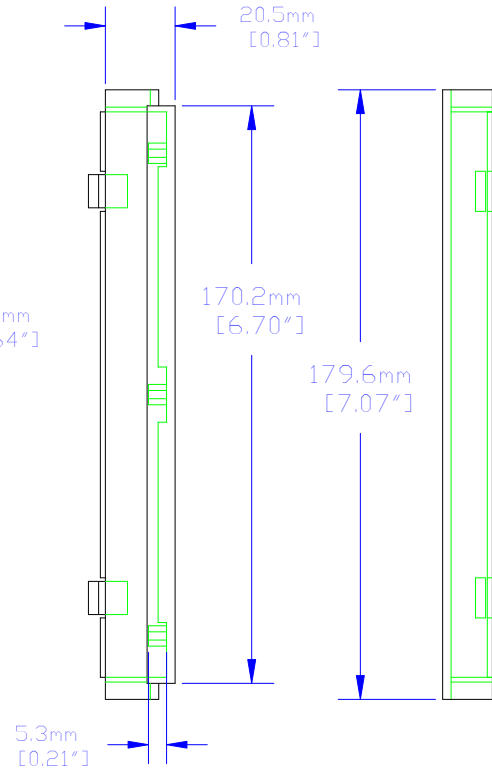
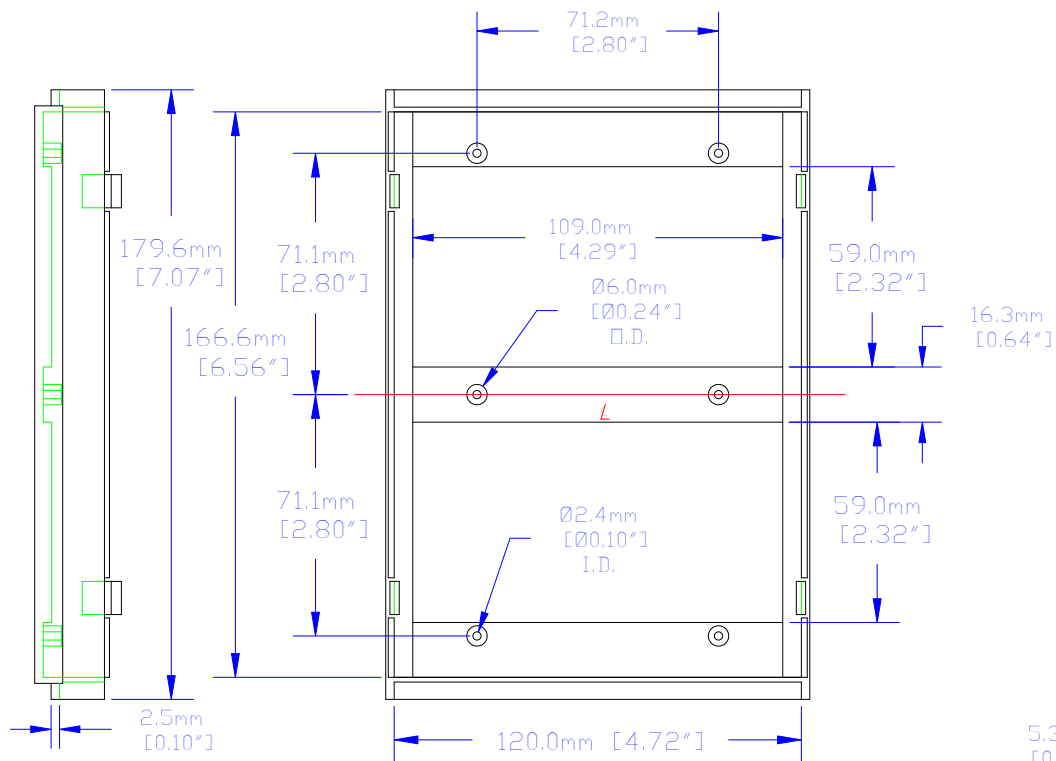
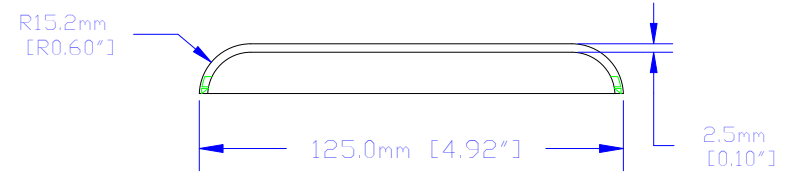
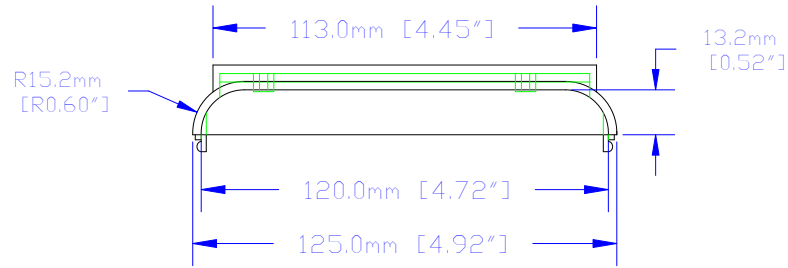


NOTES

WALL MOUNT ENCLOSURE  
TWO PIECE CONSTRUCTION, TOP AND BOTTOM SNAK TOGETHER  
COLOR: LIGHT GRAY



BOTTOM

TOP

For the best fit print on legal size paper.

THIS DRAWING IS PROPRIETARY INFORMATION OF HAMMOND MFG.CO.LTD. NOT TO BE USED WITHOUT EXPRESSED WRITTEN PERMISSION OF HAMMOND MFG.CO.LTD.

△	N/A	RELEASE	----	10/01/02	MJM
Rev	ECN	Description		Date	By

Unless otherwise spec'd dimensions are in millimeters Tolerances are:

X	±2.5
.XX	±1.50
.XXX	±.500
.XXXX	±.1300
Holes	±.1300
Angles	±5°



Dwn	M. MERCER
Date	10/01/02
Chk	---
Mat'l	ABS PLASTIC
Sheet	1 of 1

HAMMOND MANUFACTURING CO. LTD.  
Electronics Group, Waterloo, Ont. - Cheektowaga, NY

HAMMOND 1597 SERIES  
TAKACHI ENCLOSURE

Part #	1597DGY	Dwg	1597DGY/A
--------	---------	-----	-----------