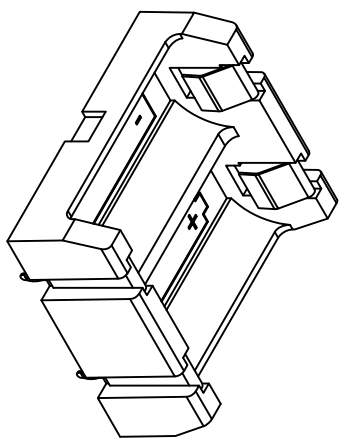
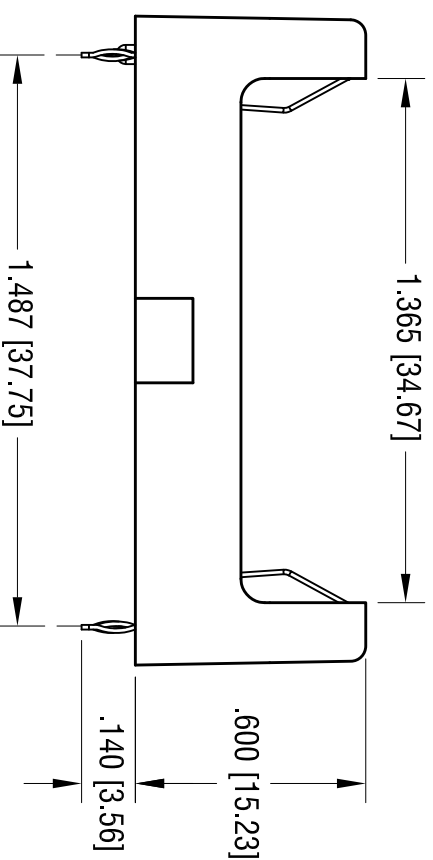
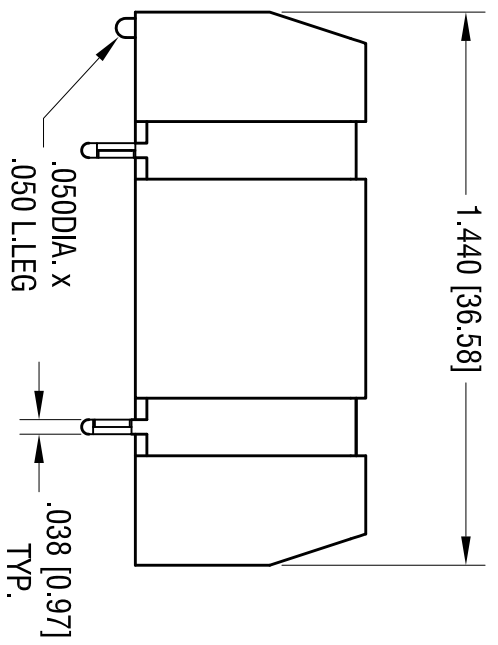
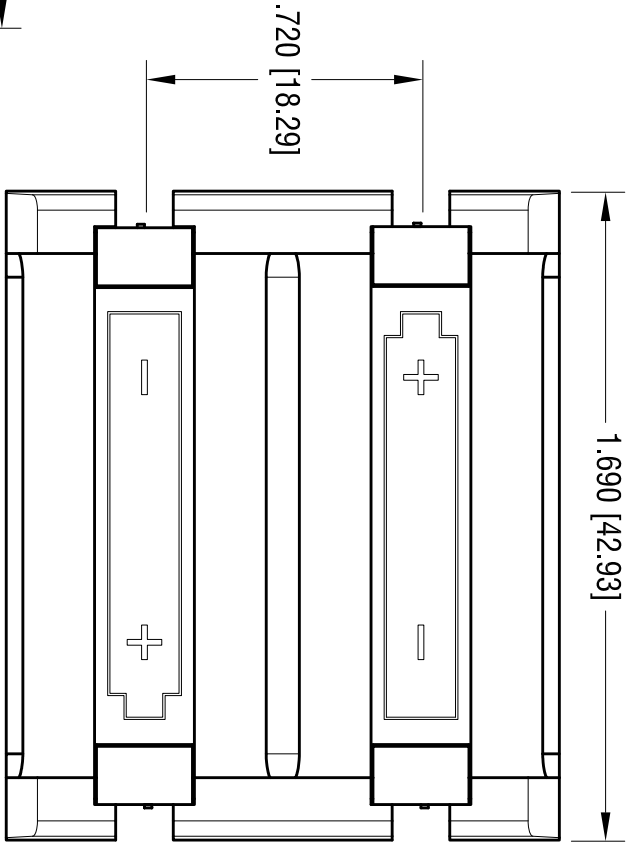
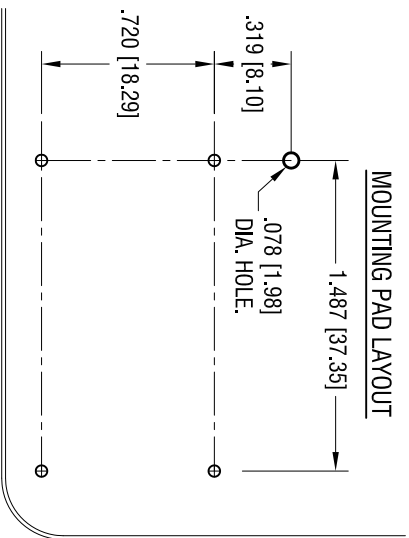


Mounting Pad Layout



ACTUAL SIZE

- NOTE:
- 1. BASE: MATL: HEAT RESISTANCE NYLON (UL94V-0) STANYL 46 OR EQUIVALENT
 - 2. CONTACT: MATL: .012 [0.30] THK STAINLESS STEEL FINISH: TIN NICKEL PLATE.

DATE	DESCRIPTION	REV.

KEYSTONE ELECTRONICS CORP.
 www.keystec.com • ASTORIA, N.Y. 11105-2017 • Tel (718) 956-8900

PART NAME: THM BATTERY HOLDER, (2) 2/3A
 MATERIAL: AS NOTED

FINISH	AS NOTED	DRN BY	NT	DATE	1.05.15
TOLERANCES	INCH [MM]	CODE	DWG NO.	SCALE	2X
DECIMAL	± .010 [±]	C	1099		
ANGULAR	± 1° [±]				

THIS DOCUMENT IS THE PROPERTY OF KEYSTONE ELECTRONICS CORP. AND SHALL NOT BE REPRODUCED, DISTRIBUTED OR USED AS A BASIS FOR MANUFACTURE WITHOUT PRIOR WRITTEN PERMISSION FROM KEYSTONE ELECTRONICS CORP.