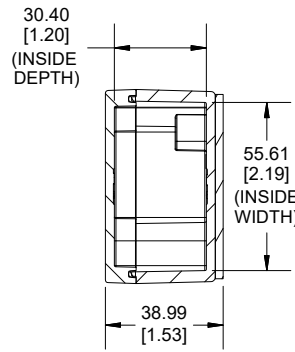
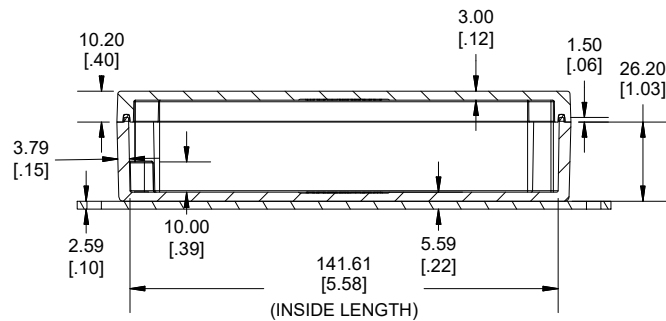


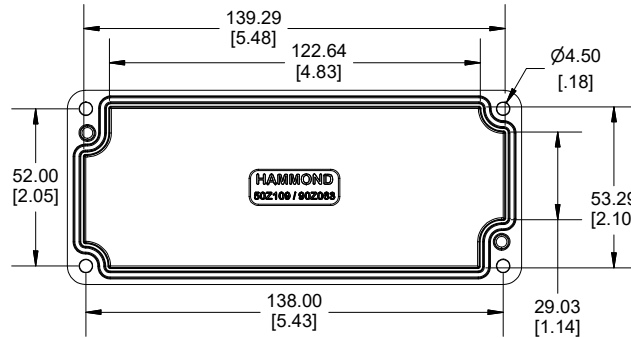
TOP VIEW



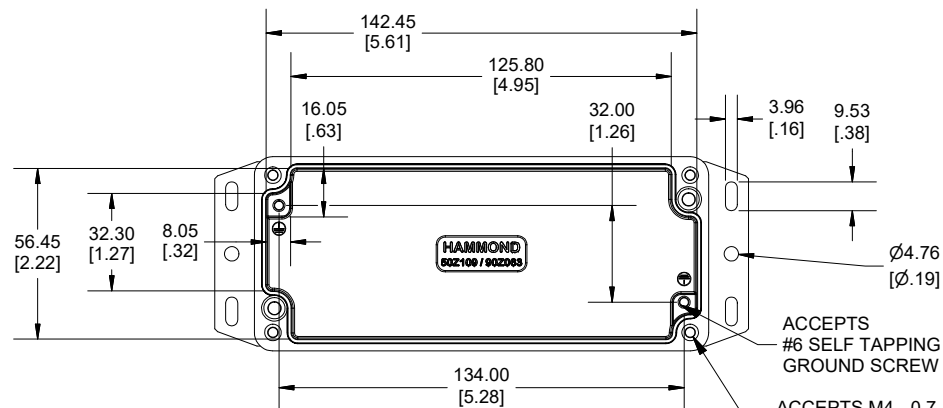
SECTION A-A
END VIEW



SECTION B-B
SIDE VIEW

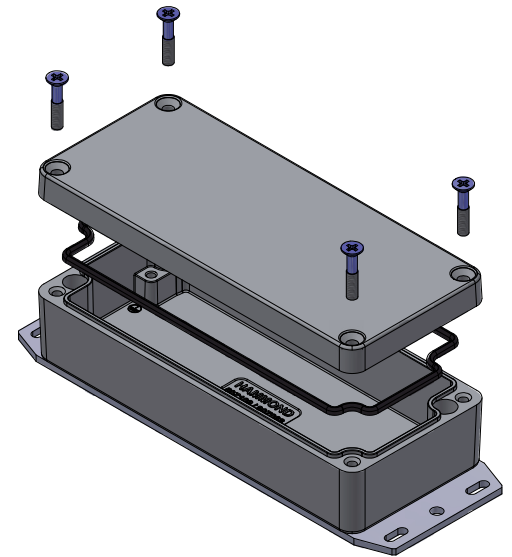


INSIDE LID



INSIDE BOX

Dimensions:
mm
[inches]



UL US LISTED
FILE #E71073
NEMA 4, 4X

Enclosures can be Factory Modified (Milling, Drilling, Printing etc.)
Contact Factory (modshop@hammfg.com) for quotes
Solid models of this enclosure available in .stp or .x_t
(Part number and text placement/orientation on our products are subject to change,
we do not recommend using them as a locating reference for modification purposes)

NOTE

Purchased assembly includes box, lid, silicone gasket, and 4 cover screws.
Box and lid are made from Diecast Aluminum Alloy.
Bottom flange is welded.

Recommended Cover screw torque 5-7.5 lbf.in (50 -75 cN.m)

PART NUMBERS

1550Z109 Flange Enclosure

Natural Finish Enclosure 1550Z109F

Black Textured Enclosure 1550Z109FBK

ACCESSORIES

Stainless Steel Cover screws
[M4 - 0.7 x 20mm] (50 Pack) SC1550Z103-50

Ground Hardware (50 Pack)
#6 Phos. Bronze plate Lock Washer SCG060-50
#6-32 x 5/16 Copper plate Self-Tapping screw

Pre-Formed Silicone Gasket (2 Pack) 1550Z109GASKET



1550Z109F

www.hammondmfg.com