

Printview: Male connector with snap-in flanges; for panel feedthrough applications with plate thickness 0.5 - 2.5 mm; 4-pole; Pin spacing 5 mm / 0.197 in; 100% protected against mismatching; without preceding ground contact - Item No.: 721-604/114-000



Male connector with snap-in flanges; for panel feedthrough applications with plate thickness 0.5 - 2.5 mm; 4-pole; Pin spacing 5 mm / 0.197 in; 100% protected against mismatching; without preceding ground contact

Item No.: 721-604/114-000



Male connector with snap-in flanges; for panel feedthrough applications with plate thickness 0.5 - 2.5 mm; 4-pole; Pin spacing 5 mm / 0.197 in; 100% protected against mismatching; without preceding ground contact

Marking

RoHS ✓
Compliant

Business data

Supplier	WAGO
Item no.	721-604/114-000
GTIN / EAN	4050821280255
Content	1
Order amount	50
Customer item number	

Notes

Item description: Universal connection for all conductor types Easy cable pre-assembly and on-unit wiring via vertical and horizontal CAGE CLAMP® actuation For "wire-to-wire" and "board-to-wire" connections Optional, preceding ground contact available for 3- to 5-pole male connectors 100% protected against mismatching Coding option available

Technical data

Miscellaneous

Packaging type	BOX
----------------	-----

Printview: Male connector with snap-in flanges; for panel feedthrough applications with plate thickness 0.5 - 2.5 mm; 4-pole; Pin spacing 5 mm / 0.197 in; 100% protected against mismatching; without preceding ground contact - Item No.: 721-604/114-000

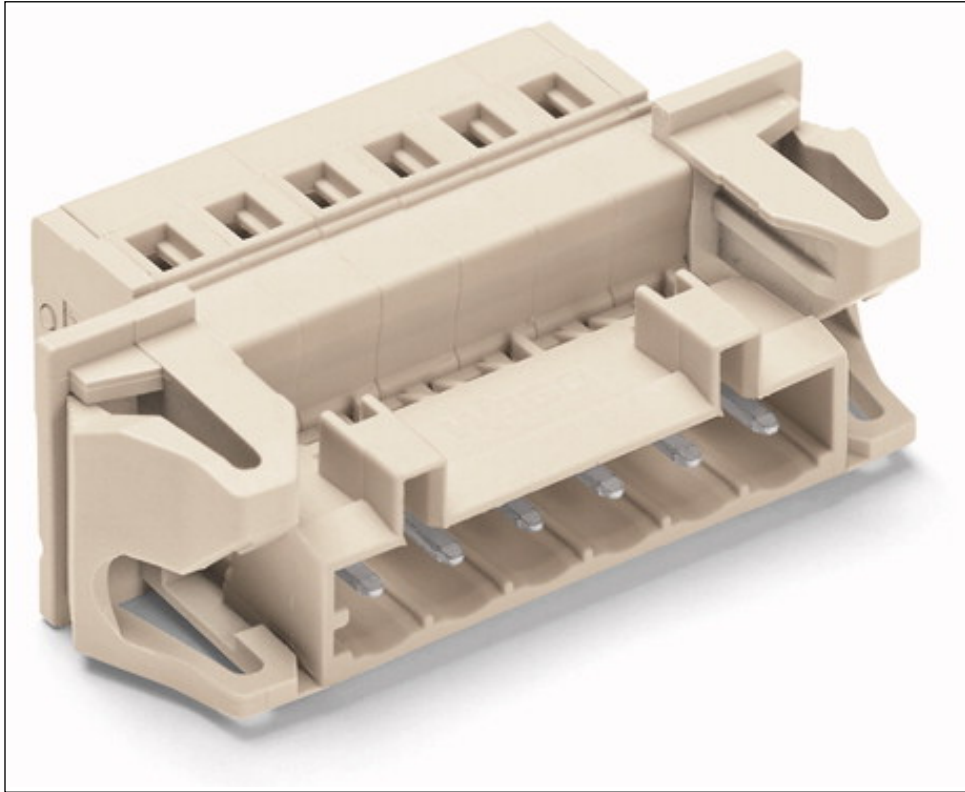
Technical data	
<i>Ratings per</i>	<i>IEC/EN 60664-1</i>
<i>Rated voltage (III / 3) [V]</i>	<i>320 [V]</i>
<i>Rated impulse voltage (III / 3) [kV]</i>	<i>4 [kV]</i>
<i>Rated voltage (III/2) [V]</i>	<i>320 [V]</i>
<i>Rated impulse voltage (III / 2) [kV]</i>	<i>4 [kV]</i>
<i>Rated voltage (II / 2) [V]</i>	<i>630 [V]</i>
<i>Rated impulse voltage (II / 2) [kV]</i>	<i>4 [kV]</i>
<i>Rated current [A]</i>	<i>12 [A]</i>
<i>Legend (ratings)</i>	<i>(III / 2) Overvoltage category III / Pollution degree 2</i>
<i>Approvals per</i>	<i>UL 1059</i>
<i>Rated voltage UL (Use Group B) [V]</i>	<i>300 [V]</i>
<i>Rated current UL (Use Group B) [A]</i>	<i>15 [A]</i>
<i>Rated voltage UL (Use Group D) [V]</i>	<i>300 [V]</i>
<i>Rated current UL (Use Group D) [A]</i>	<i>10 [A]</i>
<i>Rated voltage CSA (Use Group B) [V]</i>	<i>300 [V]</i>
<i>Rated current CSA (Use Group B) [A]</i>	<i>15 [A]</i>
<i>Rated voltage CSA (Use Group D) [V]</i>	<i>300 [V]</i>
<i>Rated current CSA (Use Group D) [A]</i>	<i>10 [A]</i>
<i>Total number of potentials</i>	<i>4</i>
<i>Number of connection types</i>	<i>1</i>
<i>Number of levels</i>	<i>1</i>
<i>Connection technology</i>	<i>CAGE CLAMP®</i>
<i>Number of connection points (connection type)</i>	<i>1</i>
<i>Actuation type</i>	<i>Operating tool</i>
<i>Solid conductor</i>	<i>0.08 ... 2.5 mm² / 28 ... 12 AWG</i>
<i>Fine-stranded conductor</i>	<i>0.08 ... 2.5 mm² / 28 ... 12 AWG</i>
<i>Fine-stranded conductor with ferrule with plastic collar</i>	<i>0.25 ... 1.5 mm² / ...</i>
<i>Fine-stranded conductor with ferrule without plastic collar</i>	<i>0.25 ... 2.5 mm² / ...</i>
<i>Strip length</i>	<i>8 ... 9 mm / 0.31 ... 0.35 Inch</i>
<i>Pin spacing</i>	<i>5 mm (0.197 in)</i>
<i>Width</i>	<i>41 mm / 1.614 Inch</i>
<i>Height</i>	<i>17.5 mm / 0.689 Inch</i>
<i>Depth</i>	<i>27.5 mm / 1.083 Inch</i>

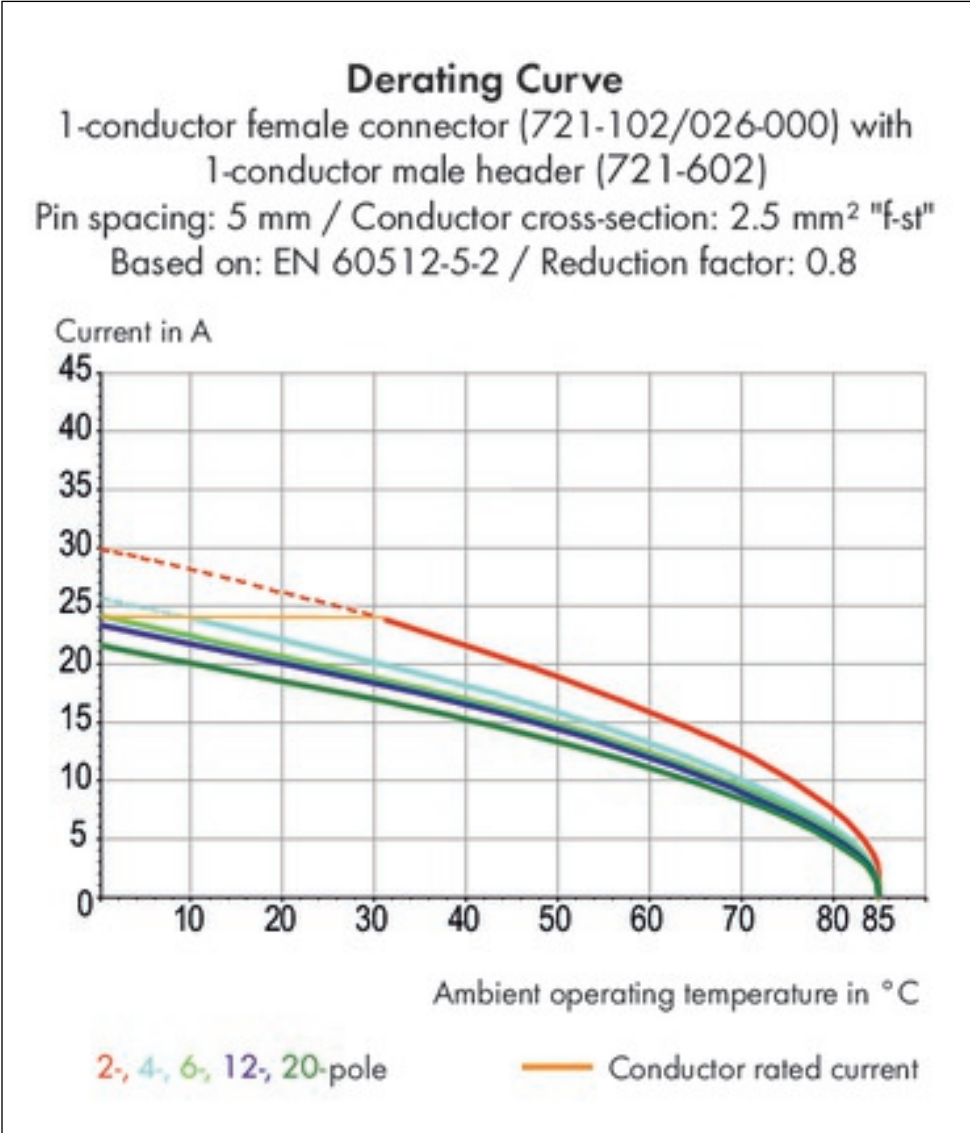
Printview: Male connector with snap-in flanges; for panel feedthrough applications with plate thickness 0.5 - 2.5 mm; 4-pole; Pin spacing 5 mm / 0.197 in; 100% protected against mismatching; without preceding ground contact - Item No.: 721-604/114-000

Technical data	
<i>No. of poles</i>	4
<i>Mounting type</i>	<i>Snap-in</i>
<i>Type of mounting</i>	<i>Feed-through mounting</i>
<i>Contact type (pluggable connector)</i>	<i>Male connector/plug</i>
<i>Connector connection type</i>	<i>for conductors</i>
<i>Mismatching protection</i>	1
<i>Total number of connection points</i>	4
<i>Color</i>	<i>light gray</i>
<i>Material group</i>	1
<i>Insulating material</i>	<i>Polyamide 66 (PA 66)</i>
<i>Flammability class per UL94</i>	V0
<i>Clamping spring material</i>	<i>Chrome nickel spring steel (CrNi)</i>
<i>Contact material</i>	<i>Electrolytic copper (Ecu)</i>
<i>Contact plating</i>	<i>tin-plated</i>
<i>Fire load [MJ]</i>	<i>0.18 [MJ]</i>
<i>RoHS Conformity</i>	1
<i>Weight [g]</i>	<i>8.476 [g]</i>
<i>Limit temperature range</i>	<i>-60 ... 100 °C</i>

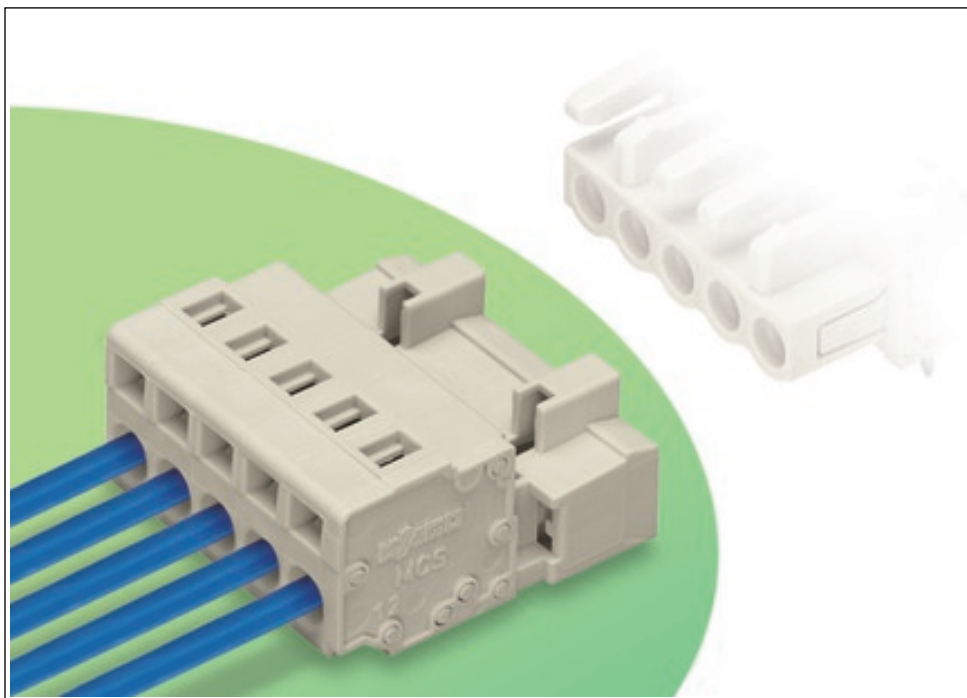
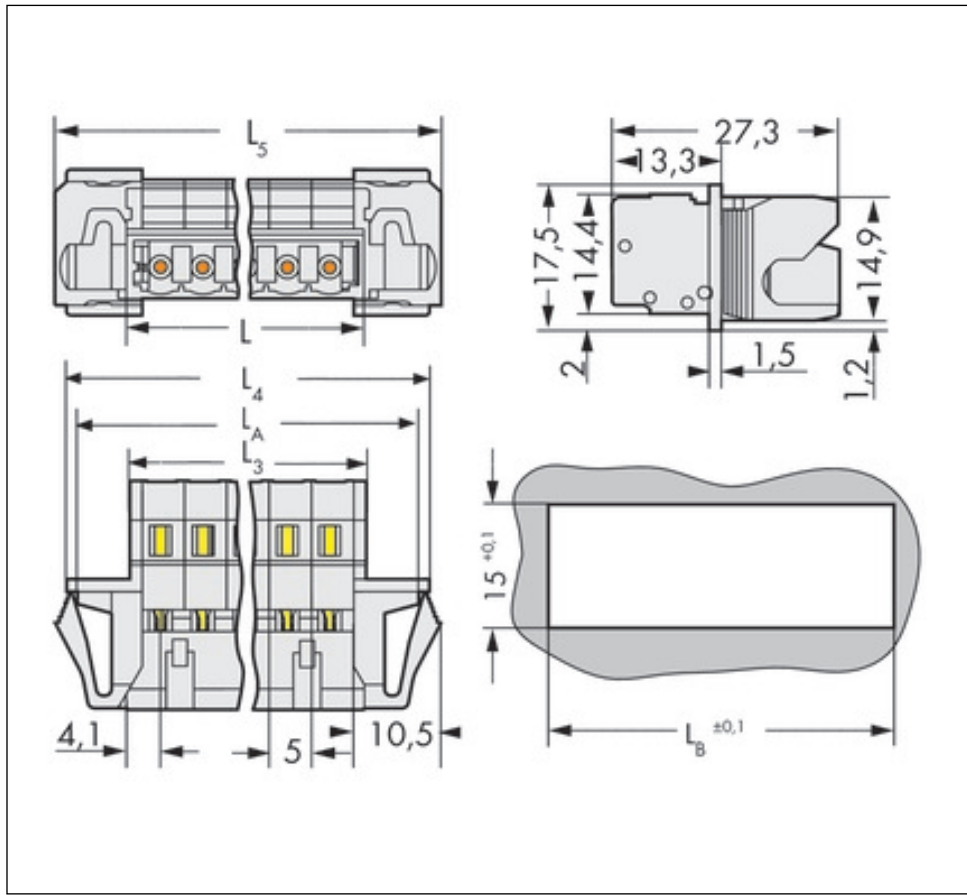
Printview: Male connector with snap-in flanges; for panel feedthrough applications with plate thickness 0.5 - 2.5 mm; 4-pole; Pin spacing 5 mm / 0.197 in; 100% protected against mismatching; without preceding ground contact - Item No.: 721-604/114-000

Images & drawings





Printview: Male connector with snap-in flanges; for panel feedthrough applications with plate thickness 0.5 - 2.5 mm; 4-pole; Pin spacing 5 mm / 0.197 in; 100% protected against mismatching; without preceding ground contact - Item No.: 721-604/114-000



Printview: Male connector with snap-in flanges; for panel feedthrough applications with plate thickness 0.5 - 2.5 mm; 4-pole; Pin spacing 5 mm / 0.197 in; 100% protected against mismatching; without preceding ground contact - Item No.: 721-604/114-000

Address

WAGO Kontakttechnik GmbH & Co. KG

Hansastr. 27

32423 Minden

Telefon: 0571/887-0

Fax: 0571/887-169

<http://www.wago.com>

© WAGO Kontakttechnik GmbH & Co. KG

Technische Änderungen und Irrtümer vorbehalten.