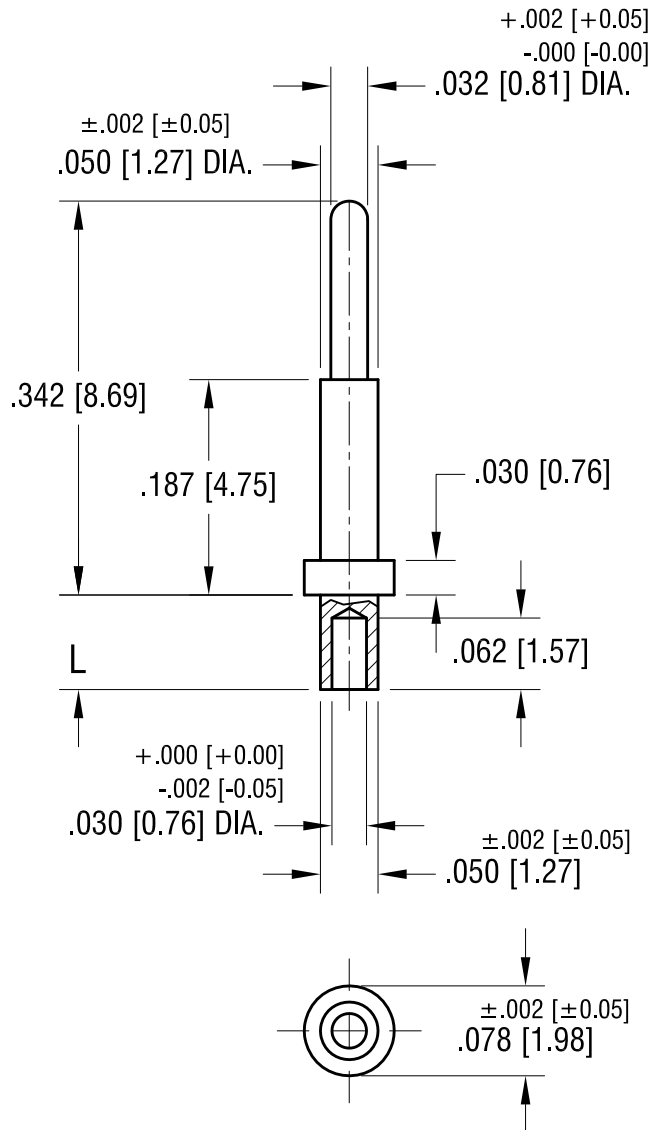


THIS DOCUMENT IS THE PROPERTY OF KEYSTONE ELECTRONICS CORP. AND SHALL NOT BE REPRODUCED, DISTRIBUTED OR USED AS A BASIS FOR MANUFACTURE WITHOUT PRIOR WRITTEN PERMISSION FROM KEYSTONE ELECTRONICS CORP.

ACTUAL SIZE



PART NO.	'L' DIM.
1355-1	.051 [1.30]
1355-2	.082 [2.08]

KEYSTONE ELECTRONICS CORP.

www.keyelco.com • ASTORIA, N.Y. 11105-2017 • Tel (718) 956-8900

PART NAME		MICRO PIN, SWAGE MOUNT	
MATERIAL		BRASS	
FINISH	TIN PLATE	DRN BY	BOONE
DATE	2.22.07	APP'D	LN
SCALE	6X	DWG NO.	
TOLERANCES	INCH [MM]	CODE	C
DECIMAL	$\pm .005$ [± 0.13]	1355-	
ANGULAR	$\pm 1^\circ$		
UNLESS OTHERWISE SPECIFIED			

9.17.15	CHANGE AS PER ECN 15-101	A
DATE	DESCRIPTION	REV.