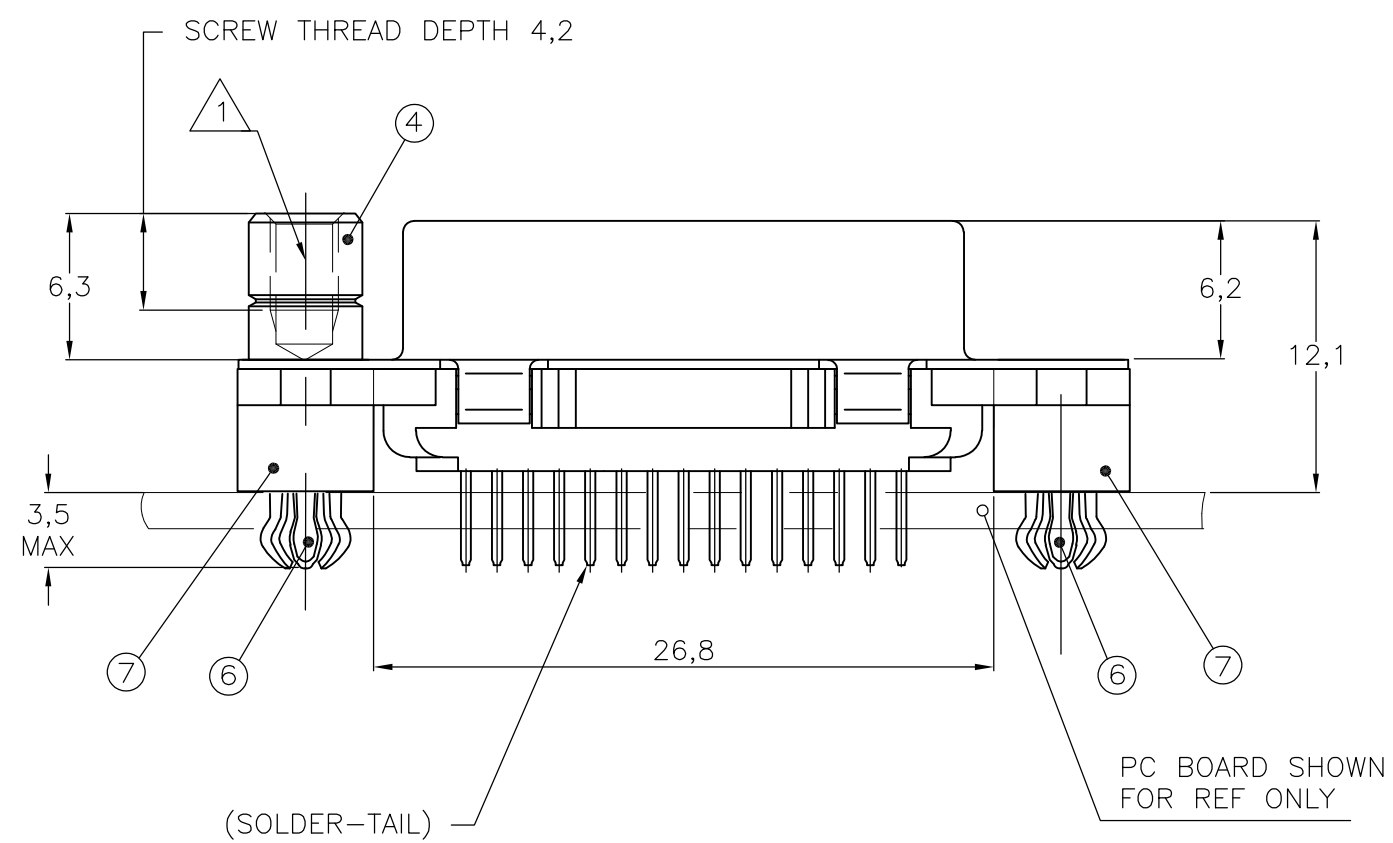
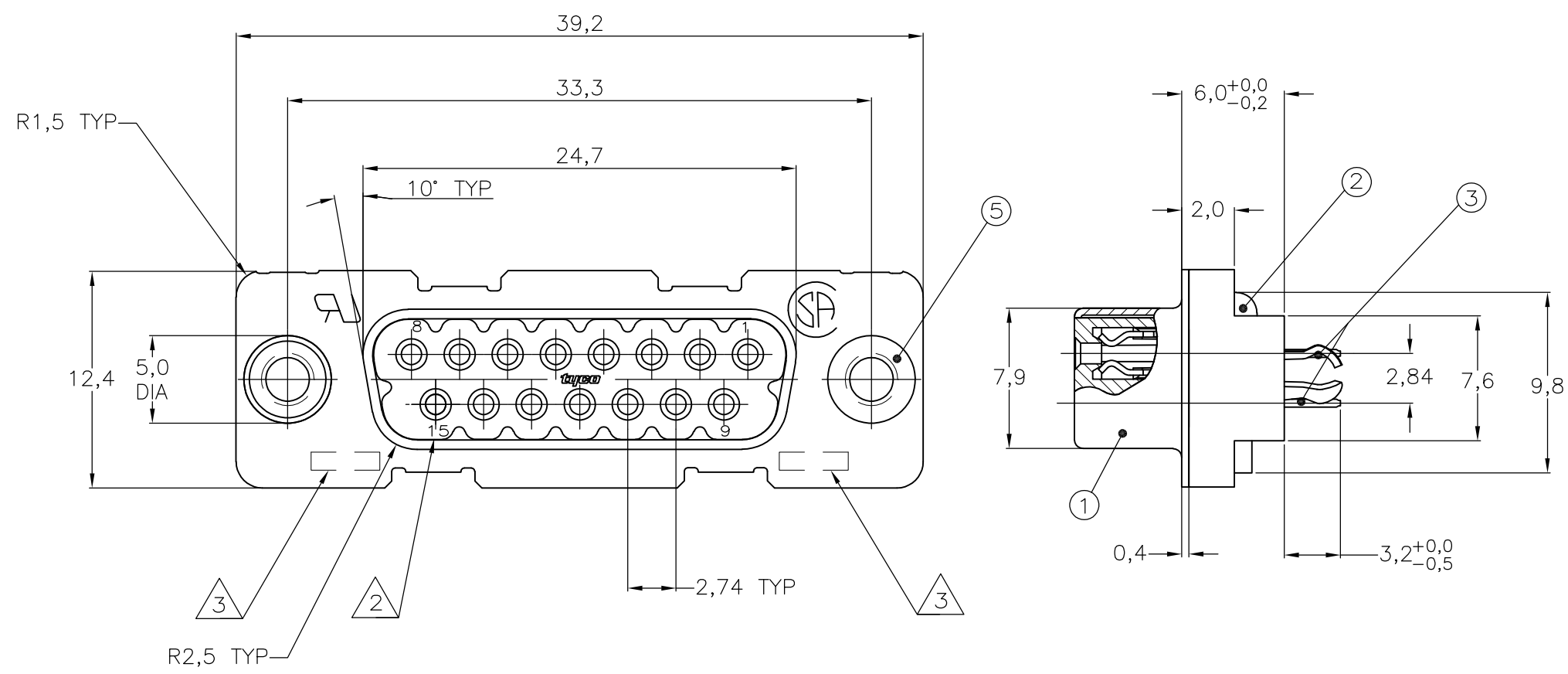


THIS DRAWING IS UNPUBLISHED. RELEASED FOR PUBLICATION
 © COPYRIGHT - By - ALL RIGHTS RESERVED.

| LOC | | DIST | | REVISIONS | | | |
|-----|-----|-------------|--|---------------------------|-----------|------|-----|
| P | LTR | DESCRIPTION | | DATE | DWN | APVD | |
| GP | 00 | G | | REVISED PER ECO-13-005685 | 11APR2013 | CJV | SLB |

| ITEM NO | DESCRIPTION OF ACCESSORY | 1 | 2 | 3 | 4 | 5 | 6 | 7 | 8 | 9 |
|---------|---------------------------------------|---|---|---|---|---|---|---|---|---|
| 5 | BUSHING WITH THROUGH-HOLE 3,1 DIA | | | | | 2 | | | | |
| 5 | BUSHING WITH THREAD 4-40 UNC | | 2 | | | | 2 | | | |
| 5 | BUSHING WITH THREAD M3 | | 2 | | | | 2 | | | |
| 4 | FEMALE SCREWLOCK WITH THREAD 4-40 UNC | | | 2 | | | | | 2 | |
| 4 | FEMALE SCREWLOCK WITH THREAD M3 | | | 2 | | | | | 2 | |
| 6 | BOARDLOCK | 2 | 2 | 2 | 2 | | | | | |

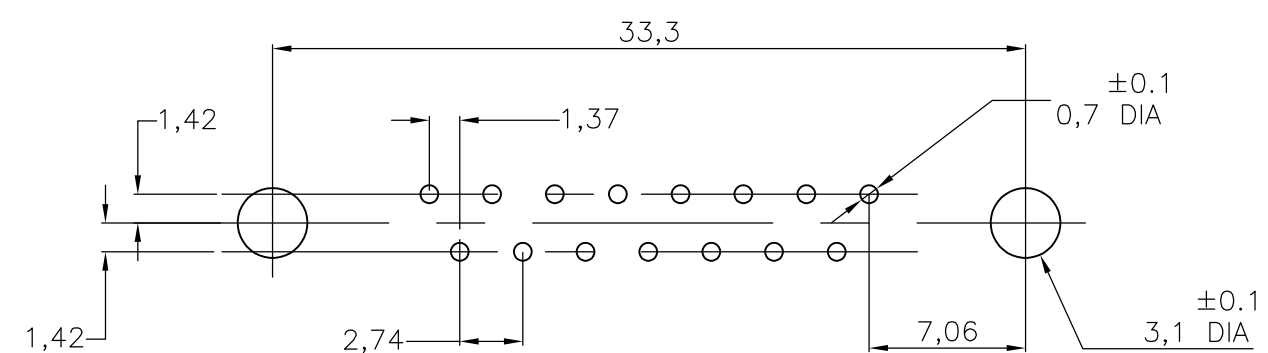


- ① GROOVE INDICATES VERSION WITH 4-40 UNC INNER THREAD; WITHOUT GROOVE INDICATES VERSION WITH M3 INNER THREAD.
- ② CAVITY IDENTIFICATION AT FRONT SIDE ONLY.
- ③ PART NUMBER AND DATE CODE.
- 4. WHEN BOARDLOCKS ARE USED, CONNECTOR CAN BE USED FOR PCB THICKNESS OF 1,6 ONLY.
- 5. AIR AND CREEPAGE DISTANCES ACCORDING TO DIN 41652.
- 6. CONTACT FINISH: GOLD FLASH OVER PALLADIUM-NICKEL PLATE, OR GOLD PLATE ON THE MATING SURFACES, TIN PLATE ON THE SOLDER-TAILS, NICKEL UNDERPLATE ON THE ENTIRE CONTACT. MATING SURFACE FINISH MEETS PERFORMANCE LEVEL 2 PER DIN 41652.

ITEM NO/MATERIAL :

- ① SHELL = BRIGHT TIN PLATED STEEL
- ② HOUSING = GLASS FILLED POLYESTER, COLOR : BLACK
- ③ CONTACTS = PHOSPHOR BRONZE (PLATING : SEE TABLE ABOVE)
- ④ FEMALE SCREWLOCK = TIN PLATED STEEL (INNER THREAD 4-40 UNC OR M3)
- ⑤ BUSHING = TIN PLATED STEEL (INNER THREAD 4-40 UNC OR M3 OR 3,1 DIA THROUGH-HOLE)
- ⑥ BOARDLOCK = TIN PLATED PHOSPHOR BRONZE
- ⑦ STAND OFF = GLASS FILLED NYLON, UL94V-0 RATED COLOR : BLACK

RECOMMENDED PC BOARD HOLE-LAYOUT



| | | | | |
|--|-------------------|-------------------------|--|-----------------|
| THIS DRAWING IS A CONTROLLED DOCUMENT. DIMENSIONING AND TOLERANCING PER ASME Y14.5M-2009 | | DWN J.v.LIEMPT 01JUL97 | TE Connectivity | |
| DIMENSIONS: mm | | CHK C.SOUISA 09SEP97 | | |
| TOLERANCES UNLESS OTHERWISE SPECIFIED: | | APVD E.LEIJTENS 09SEP97 | NAME | |
| 0 PLC ± - | 1 PLC ± 0.3 | PRODUCT SPEC | HDP-20 SIZE 2 | |
| 2 PLC ± 0.15 | 3 PLC ± - | APPLICATION SPEC | VERTICAL++ RECEPTACLE HEADER; WITH SOLDER CONTACTS | |
| 4 PLC ± - | 4 PLC ANGLES ± 2° | WEIGHT - | SIZE A2 | CAGE CODE 00779 |
| MATERIAL - | FINISH - | CUSTOMER DRAWING | DRAWING NO C=338314 | RESTRICTED TO - |
| | | | SCALE NTS | SHEET 1 of 1 |
| | | | REV G | |