

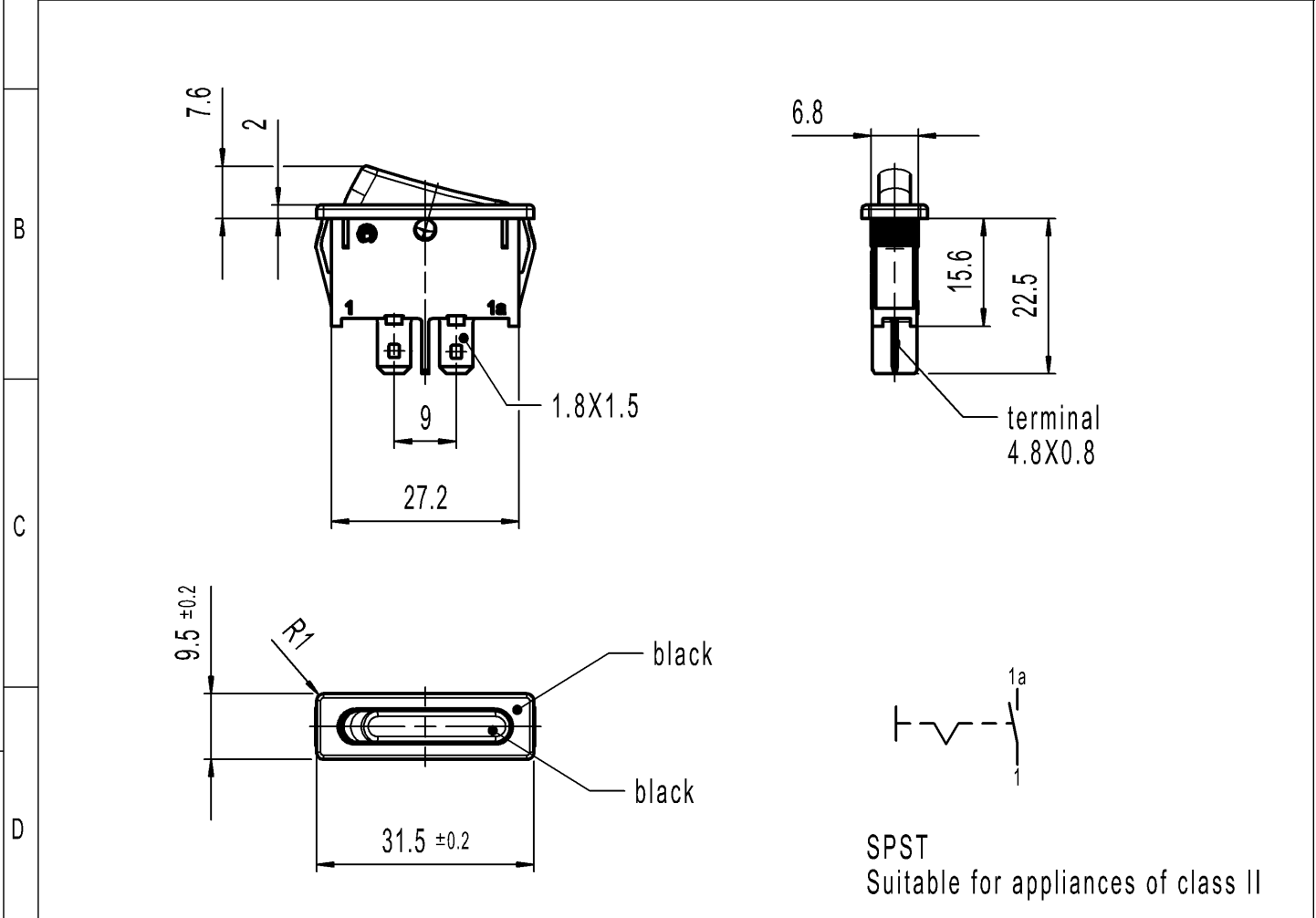
CONFIDENTIAL

VERTRAULICH

Alle Rechte bei Marquardt, auch fuer den Fall von Schutzrechtsanmeldungen. Jede Veruegungsbefugnis, wie Kopier- und Weitergaberecht, bei uns.

THIS DRAWING IS THE EXCLUSIVE PROPERTY OF MARQUARDT. WITHOUT THEIR CONSENT IT MAY NOT BE REPRODUCED OR GIVEN TO THIRD PARTIES.

A	recommended cut-out for snap-in fixing (edge opposite to snap-in direction)	1	2	3	4
		wall thickness	length of cut-out	width of cut-out	
		0.75 to 1.25	30-0.1	6.8+0.1	
		1.25 to 2	30.2 -0.1	6.8+0.1	
		2 to 3	30.6 -0.1	6.8+0.1	



SPST
Suitable for appliances of class II

Marking

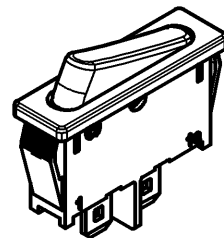
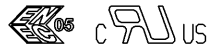


1921.

4(1)/250~5E4

6(2)/250~

T80/55



Code of manufacture: place/year/week

-		-		1921.1102-XX	
Figure		Type		Customer Part No.	
-		-		Art.No.-PI	
Shape and location	Angle ± 2 °	Length		Sheet 01	
	Edge tolerance	0-6 ± 0.2	±	±	±
☉ ≡		>6-15 ± 0.4	±	±	±
		>15-30 ± 0.4	±	±	±
		±	±	±	±
		±	±	±	±
		±	±	±	±
		±	±	±	±
		±	±	±	±
		±	±	±	±
i	141238	2022-11-23		MOHITEN	
h	102884	2016-06-22		HHE	
g	43248	2005-05-31		hhe	
f	25675	1998-03-23		SIG	
Index	MEC-No.	Date (YYYY-MM-DD)		Edited by	
				Zg.gl.Nr.v.18.03.1991	
				System NX V1899	
				Replacement of	
				Zg.gl.Nr.v.18.03.1991	
				All dimensions are in millimetres	
				Ident. K	
				Document number 19211102	
				Index i	
				Appliance Switch	
				MARQUARDT	