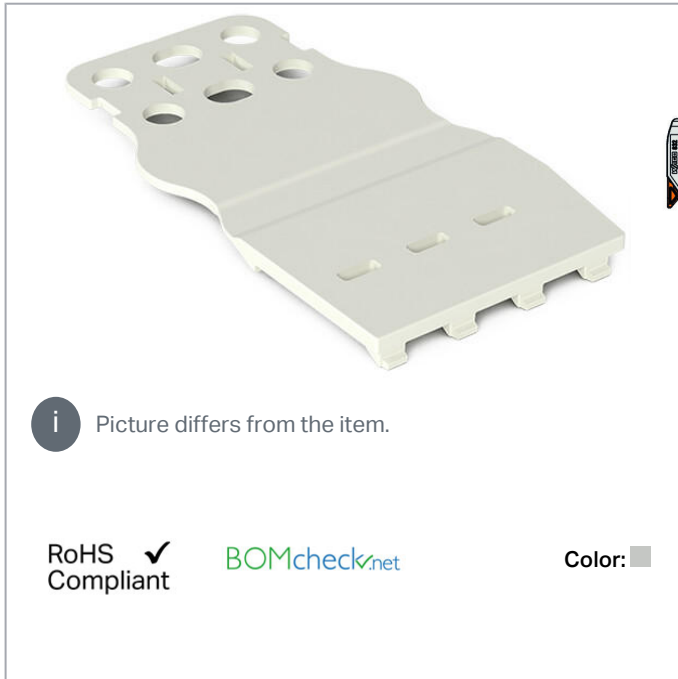


Data sheet | Item number: 832-533

Strain relief plate; Pin spacing 10.16 mm; light gray

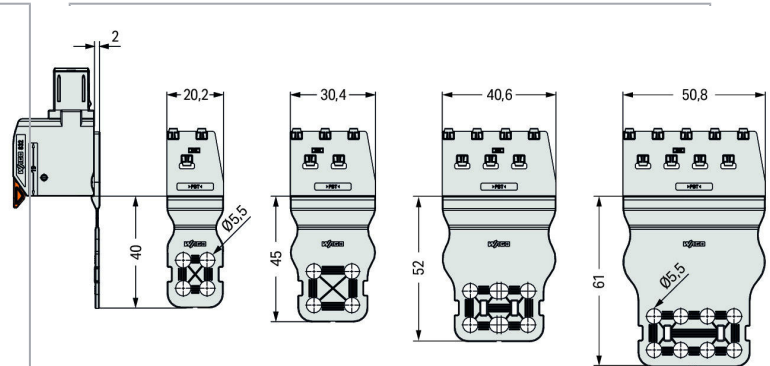
www.wago.com/832-533



 Picture differs from the item.

RoHS  Compliant 

Color: 



The arrangement of the attachments for cable ties allows single conductors or multi-core cables to be secured in different ways. The width of the cable ties must correspond to the hole dimensions of the strain relief plates shown above.

Cable tie

Data

Connection data

Pole No. 3

Physical data

Width 30.4 mm

Depth 2 mm

Mechanical data

Mounting type Snap-in mounting

Suitable for standard male and female connectors

Material data

Color light gray

Weight 4.1 g

Subject to changes. Please also observe the further product documentation!

WAGO Kontakttechnik GmbH & Co. KG
Hansastr. 27
32423 Minden
Phone: +49571 887-0 | Fax: +49571 887-169
Email: info.de@wago.com | Web: www.wago.com

Do you have any questions about our products?
We are always happy to take your call at +49 (571) 887-44222.

Commercial data

Packaging type	BOX
Country of origin	DE
GTIN	4055143935289
Customs tariff number	85389099990

Downloads

Documentation

Additional Information

Technical explanations	3. 4. 2019	pdf 2.0 MB	Download
------------------------	------------	---------------	----------

Environmental Product Compliance

Compliance Search

Environmental Product Compliance 832-533	URL	Download
Strain relief plate; Pin spacing 10.16 mm; light gray		

Installation Notes

Installation



Strain relief plate; for field assembly



Strain relief plate; for field assembly



Strain relief plate; for field assembly

Subject to changes. Please also observe the further product documentation!