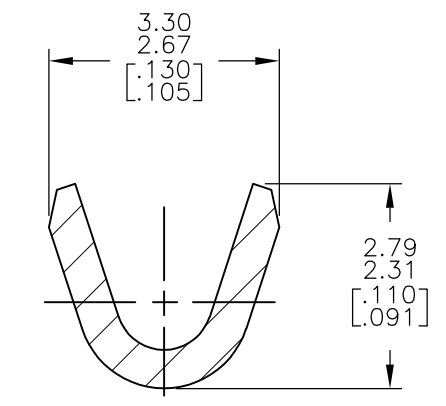
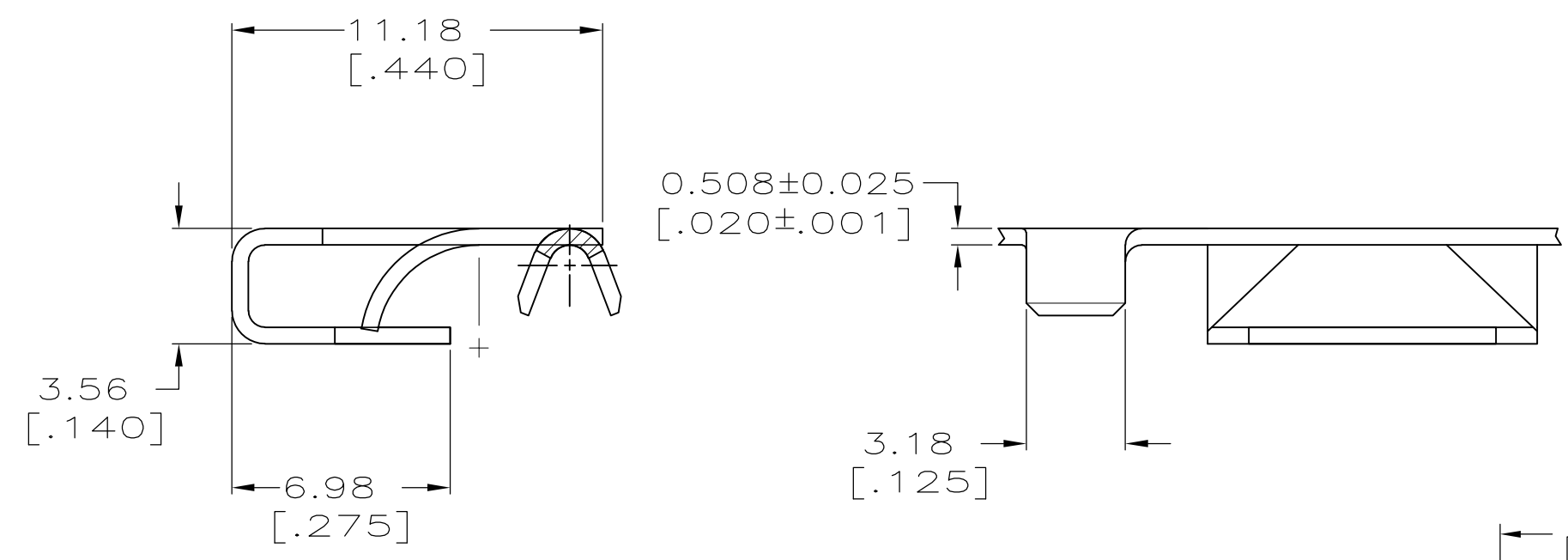


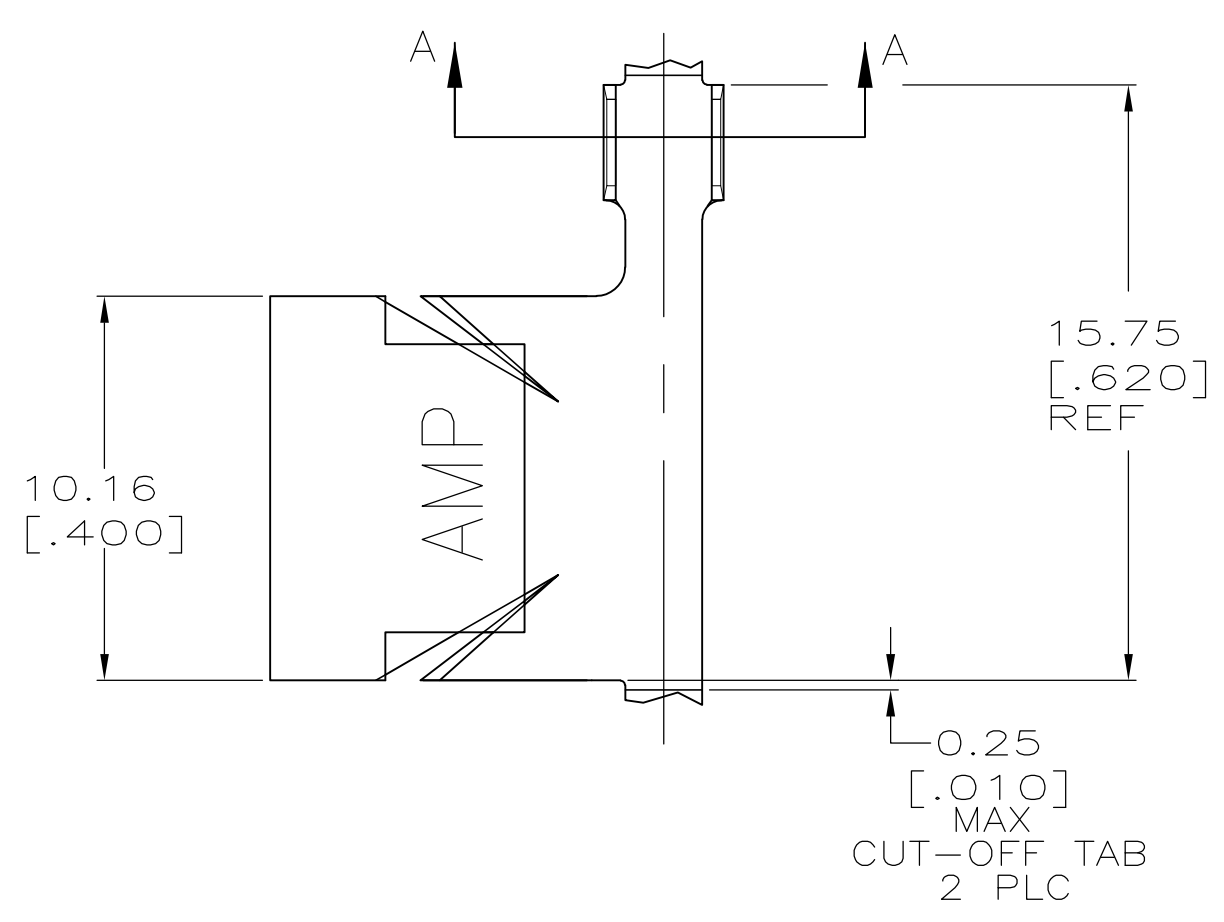
THIS DRAWING IS UNPUBLISHED. RELEASED FOR PUBLICATION
 © COPYRIGHT BY TYCO ELECTRONICS CORPORATION. ALL RIGHTS RESERVED.

| LOC | DIST | REVISIONS | | | |
|-----|------|---------------------------|---------|-----|------|
| P | LTR | DESCRIPTION | DATE | DWN | APVD |
| | G2 | REVISED PER ECO-09-019597 | 26AUG09 | RG | MS |

- 1. CONTINUOUS STRIP ON REEL.
- ② WIRE SIZE IS [22-18] AWG.
- ③ PRELIMINARY - NOT FOR PRODUCTION



SECTION A-A
 SCALE 10:1
 -1 THRU -3



| OBSOLETE | MATERIAL | PART NO. |
|----------|-------------------------|----------|
| ② | UNS G10080 TEMP 2 STEEL | 63733-4 |
| ② | UNS C52100 H04 PHOS BRZ | 63733-3 |
| ③ | UNS C26000 H06 BRASS | 63733-2 |
| ② | UNS G10080 TEMP 2 STEEL | 63733-1 |

| | | | | | |
|--|--|-------------------------------|---|-----------|--|
| THIS DRAWING IS A CONTROLLED DOCUMENT. | | DWN PHIL FORTNEY 8/3/93 | Tyco Electronics Corporation Harrisburg, PA 17105-3608 | | |
| DIMENSIONS: MM [INCHES] | | CHK JR RUTH 8/3/93 | NAME CLIP, GROUNDING | | |
| TOLERANCES UNLESS OTHERWISE SPECIFIED: | | APVD R KUZO 8/3/93 | PRODUCT SPEC - | | |
| 0 PLC ± - | | APPLICATION SPEC - | | | |
| 1 PLC ± - | | SIZE A3 | | | |
| 2 PLC ± 0.25 [.010] | | CAGE CODE 00779 | | | |
| 3 PLC ± - | | DRAWING NO G-63733 | | | |
| 4 PLC ± - | | RESTRICTED TO - | | | |
| ANGLES ± - | | WEIGHT - | | | |
| MATERIAL SEE TABLE | | CUSTOMER DRAWING | | | |
| FINISH 0.002032 [.000080]MIN TIN | | SCALE 5:1 | | | |
| | | SHEET 1 OF 1 | | REV G2 | |