

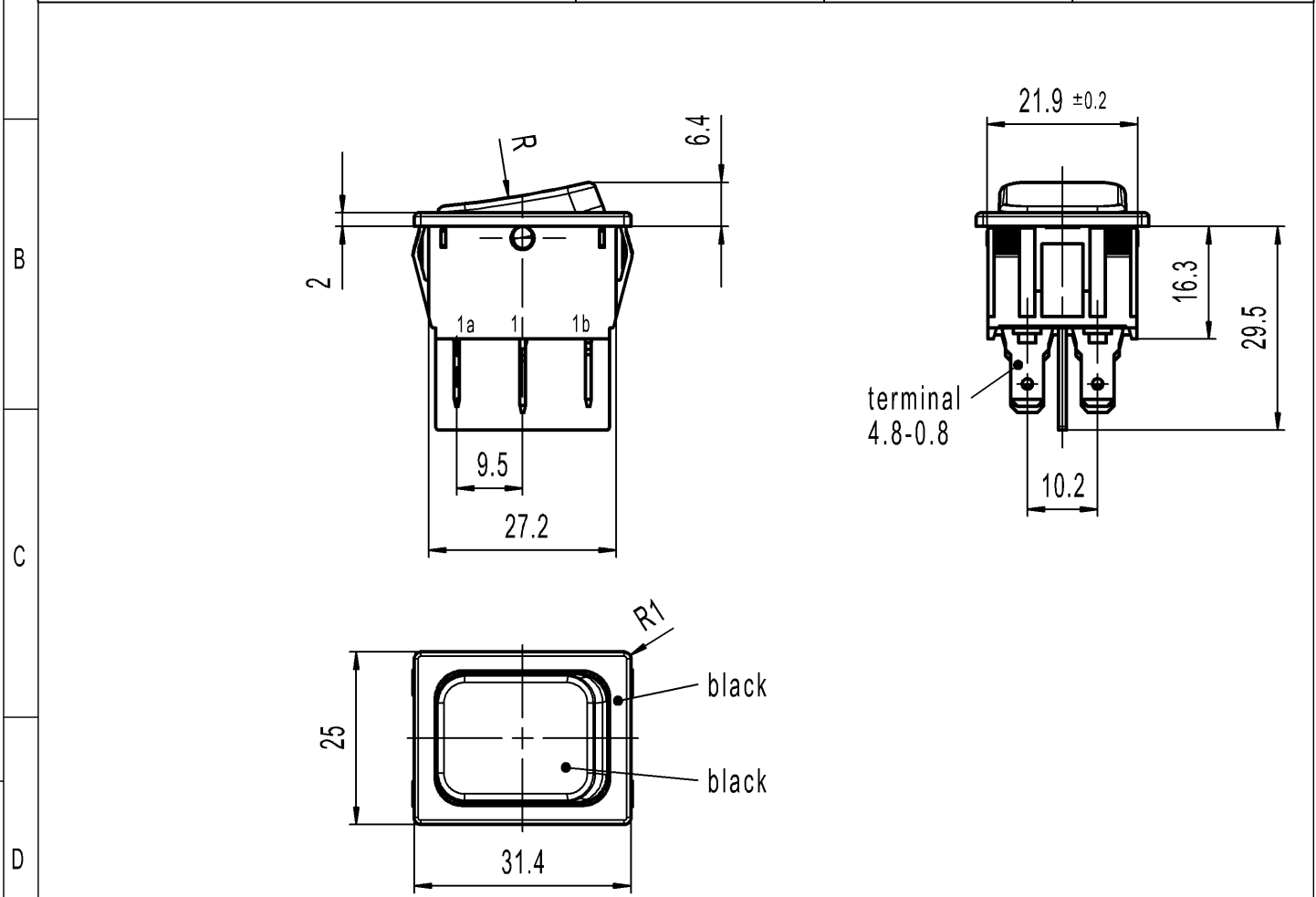
CONFIDENTIAL

VERTRAULICH

THIS DRAWING IS THE EXCLUSIVE PROPERTY OF MARQUARDT. WITHOUT THEIR CONSENT IT MAY NOT BE REPRODUCED OR GIVEN TO THIRD PARTIES.

Alle Rechte bei Marquardt, auch fuer den Fall von Schutzrechtsanmeldungen. Jede Veruegungsbefugnis, wie Kopier- und Weitergaberecht, bei uns.

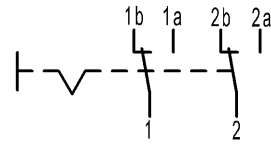
A	1	2	3	4	
	recommended cut-out for snap-in fixing (edge opposite to snap-in direction)		wall thickness	length of cut-out	width of cut-out
			0.75 to 1.25 1.25 to 2 2 to 3	30.0 -0.1 30.2 -0.1 30.6 -0.1	22 +0.2 22 +0.2 22 +0.2



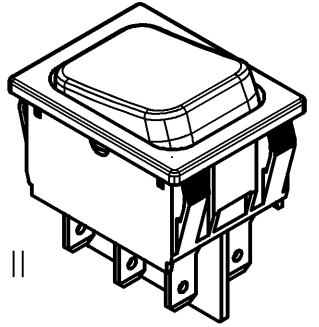
Marking:

1834.
 6(4)/250~5E4
 10(4)/250~ T105/55

6A 125-250V AC
 1/4HP 125V AC
 1/2HP 250V AC
 R30



DPDT
 Suitable for appliances of class II



Code of manufacture: place/year/week

-		-		-		1834.1102-XX			
Figure		Type		Customer Part No.		Art.No.-PI			
Shape and location	Angle ± 2°	Length		Radii		Sheet 01	Ident. K	Document number 18341102	Index d
	Edge tolerance	0-6 ± 0.1	±	0-6 ± 0.2	± 0.2				
		>6-30 ± 0.2	±	>6-30 ± 0.4	± 10%	Format DIN A4	Projection	Scale 1:1	All dimensions are in millimetres
		>30-70 ± 0.4	±	>30 ± 10%	±				
d	140315	2021-11-03		MATHPATIR		System NX V1872			
c	64508	2009-09-07		HHE		Replacement of			
b	29398	2000-04-13		GRH		Zg.gl.Nr.v.24.10.1996			
a	24370	1996-10-23		GRH					
Index	MEC-No.	Date (YYYY-MM-DD)		Edited by					