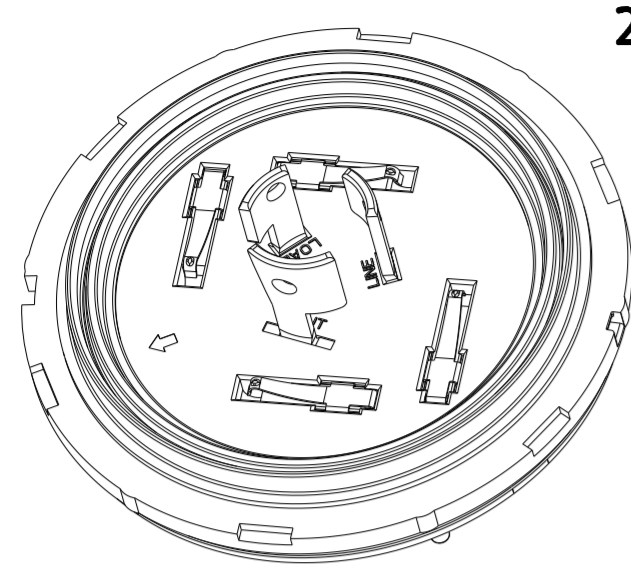
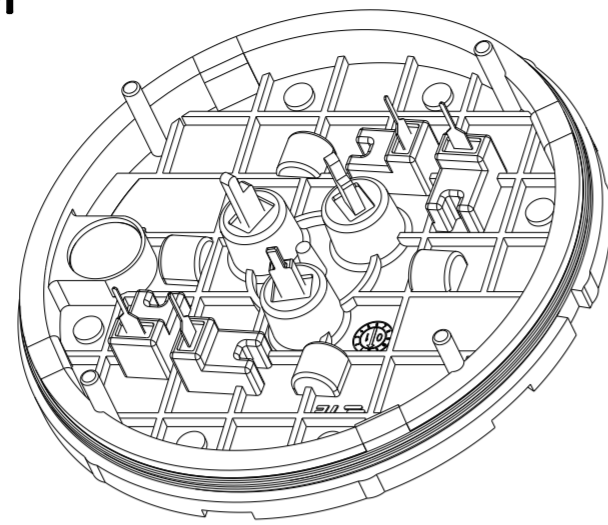


THIS DRAWING IS UNPUBLISHED. RELEASED FOR PUBLICATION 20
 © COPYRIGHT 20 BY - ALL RIGHTS RESERVED.

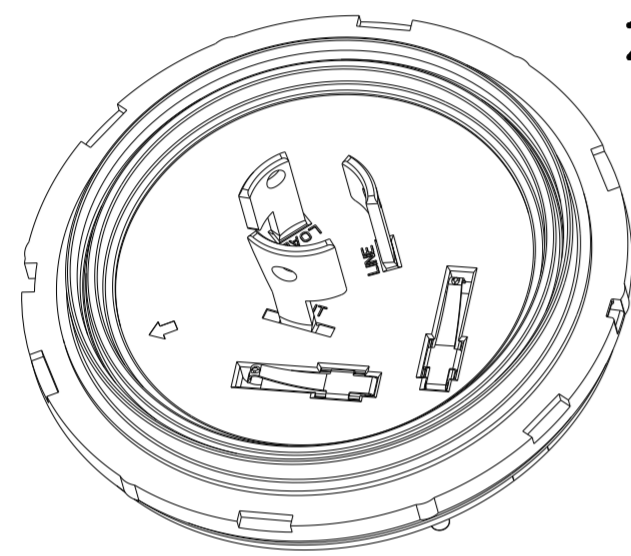
REVISIONS					
P	LTR	DESCRIPTION	DATE	DWN	APVD
	A	GTP ECN-24-292302	06NOV2024	JPS	MM



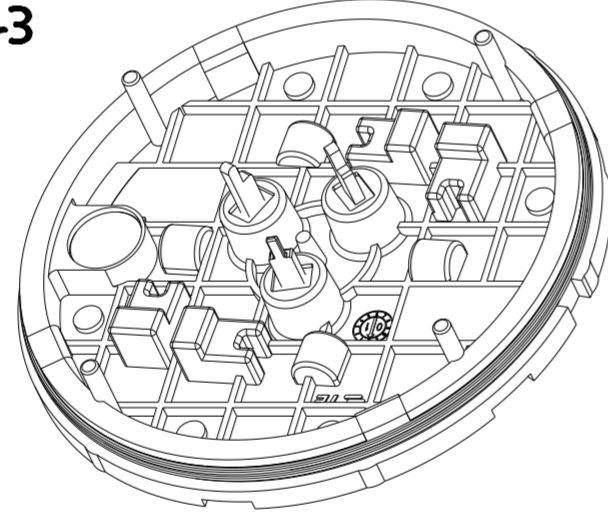
2466136-1



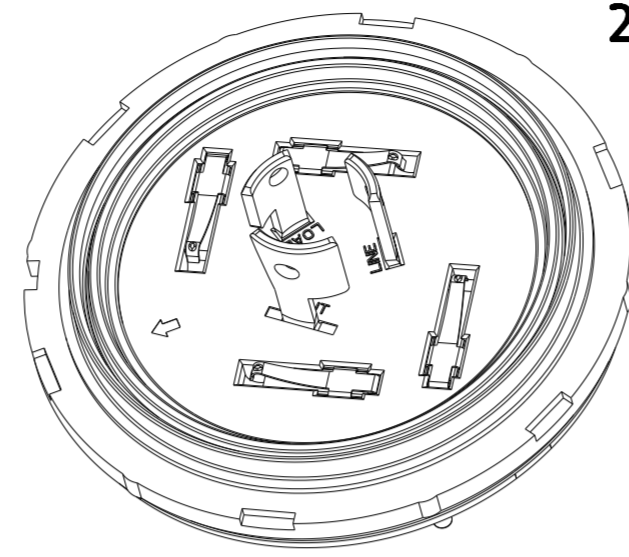
2466136-2



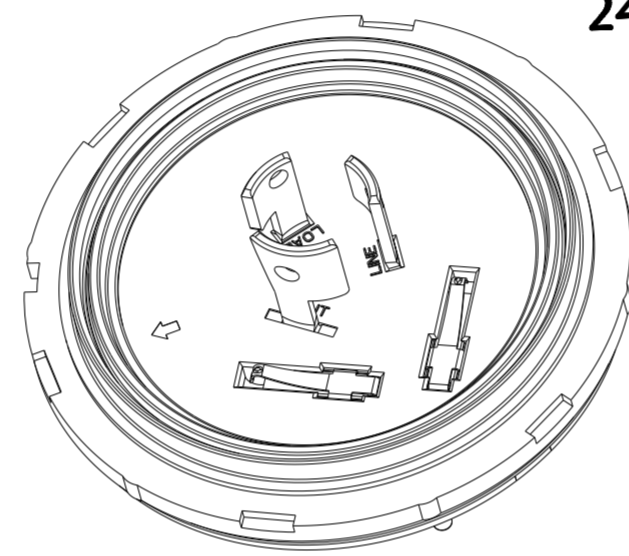
2466136-3



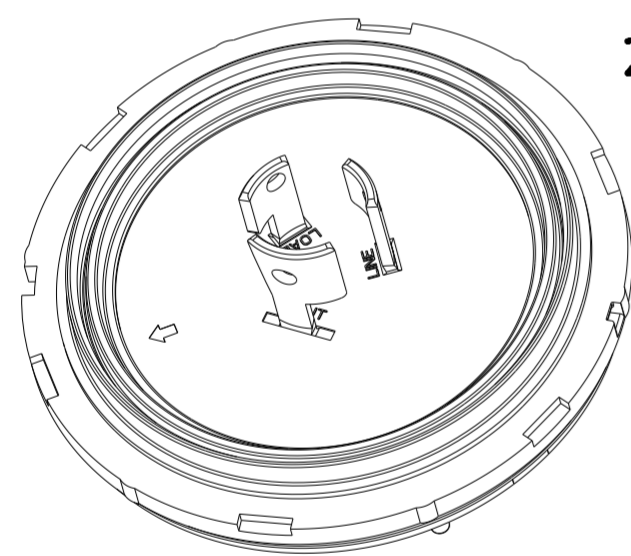
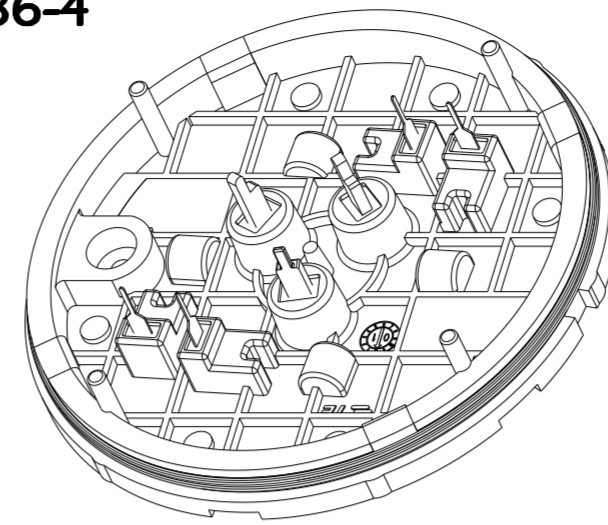
2466136-4



2466136-5



2466136-6



Ø 82.24	Ø 78.54	13.04	26.20	Ø 69.80	Ø 70.70	3 POS NO VENT	2466136-6
Ø 82.24	Ø 78.54	13.04	26.20	Ø 69.80	Ø 70.70	5 POS NO VENT	2466136-5
Ø 82.24	Ø 78.54	13.04	26.20	Ø 69.80	Ø 70.70	7 POS NO VENT	2466136-4
Ø 82.24	Ø 78.54	13.04	26.20	Ø 69.80	Ø 70.70	3 POS W/VENT	2466136-3
Ø 82.24	Ø 78.54	13.04	26.20	Ø 69.80	Ø 70.70	5 POS W/VENT	2466136-2
Ø 82.24	Ø 78.54	13.04	26.20	Ø 69.80	Ø 70.70	7 POS W/VENT	2466136-1
DIM Y DOME	DIM X DOME	DIM T PCB	DIM S PCB	DIM P PCB	DIM N PCB	CONTACT POSITIONS	PART NO.

- 1 MATERIALS:
 HOUSING: PBT-GF, COLOR BLACK
 DIMMING CONTACTS (QTY. 4): COPPER ALLOY
 LINE VOLTAGE CONTACTS (QTY. 3): COPPER ALLOY
 GASKET: TPE; COLOR:BLACK
 MEMBRANE VENT: PTFE
- 2 FINISH:
 DIMMING CONTACTS: NICKEL UNDERPLATE ENTIRE
 CONTACT 0.127 µm MIN THICK. SELECTIVE GOLD PLATE CONTACT
 MATING AREA (MATING FACE SIDE ONLY) 0.76 µm MIN THICK.
 MATTE TIN PLATE TAB ON BOTH SIDES 0.30 µm MIN THICK.
 LINE VOLTAGE CONTACTS: MATTE TIN PLATE
- 3 MATING INTERFACE PER ANSI C136.41-2013.
- 4. THIS PRODUCT HAS NOT COMPLETED VALIDATION TESTING.

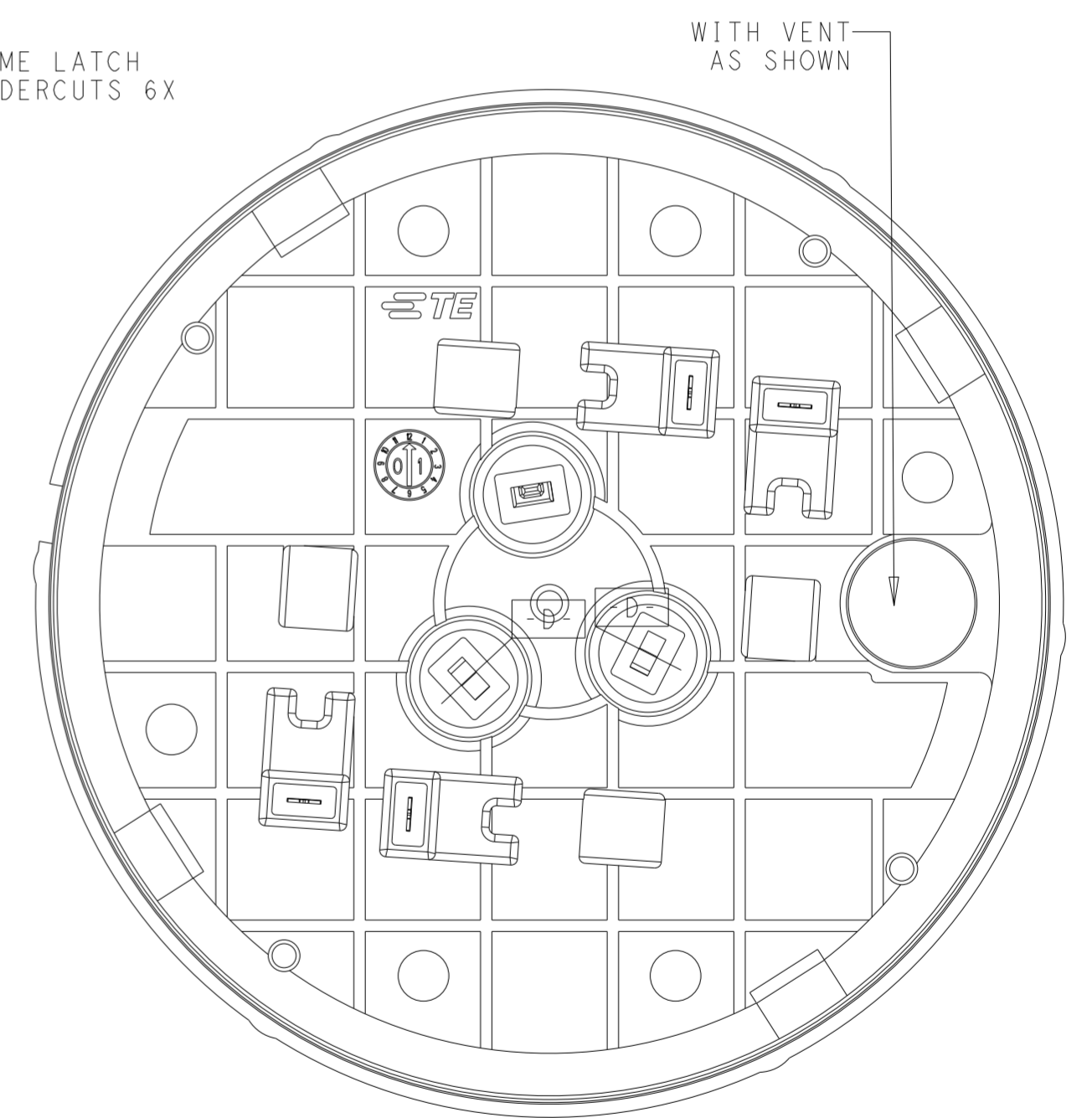
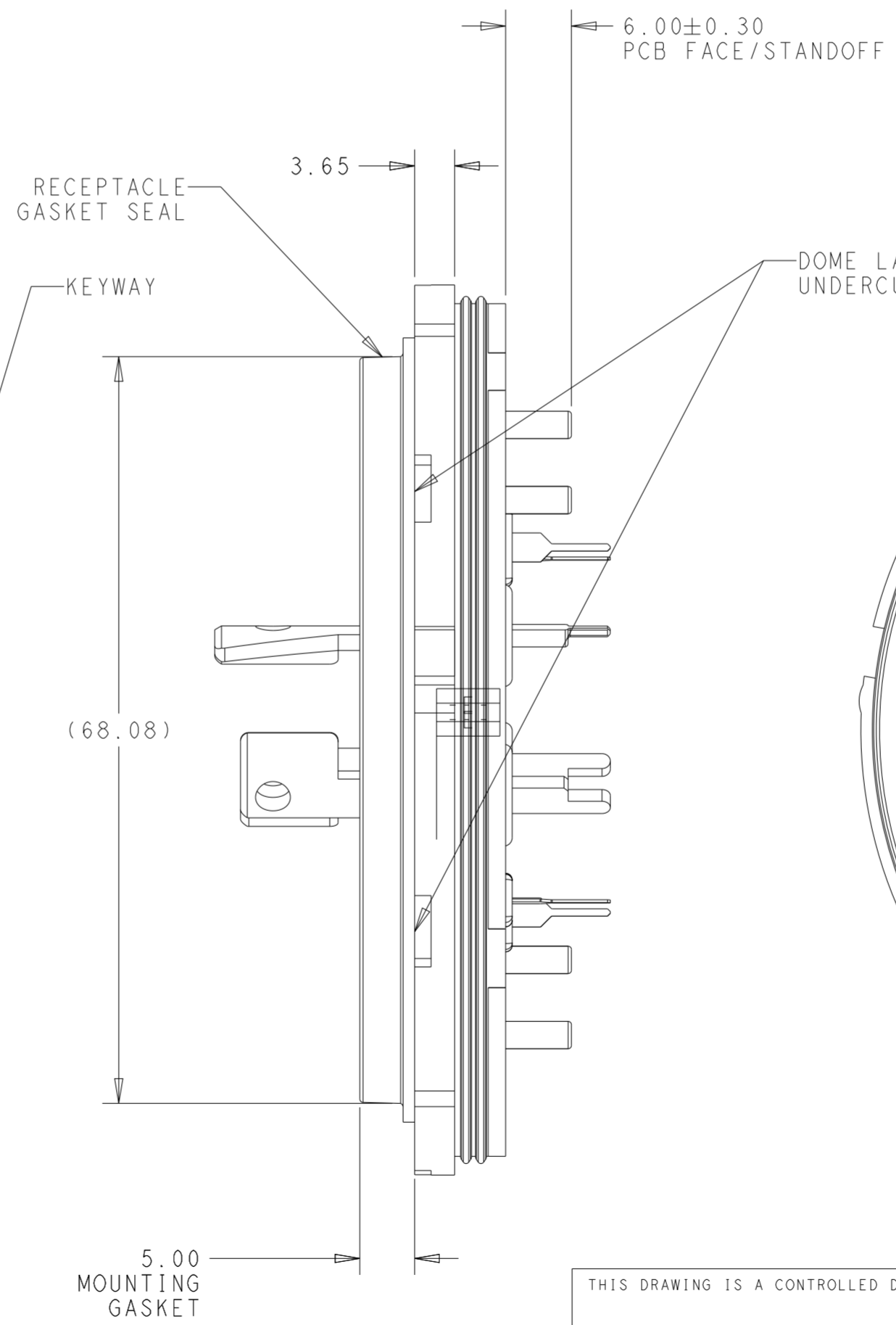
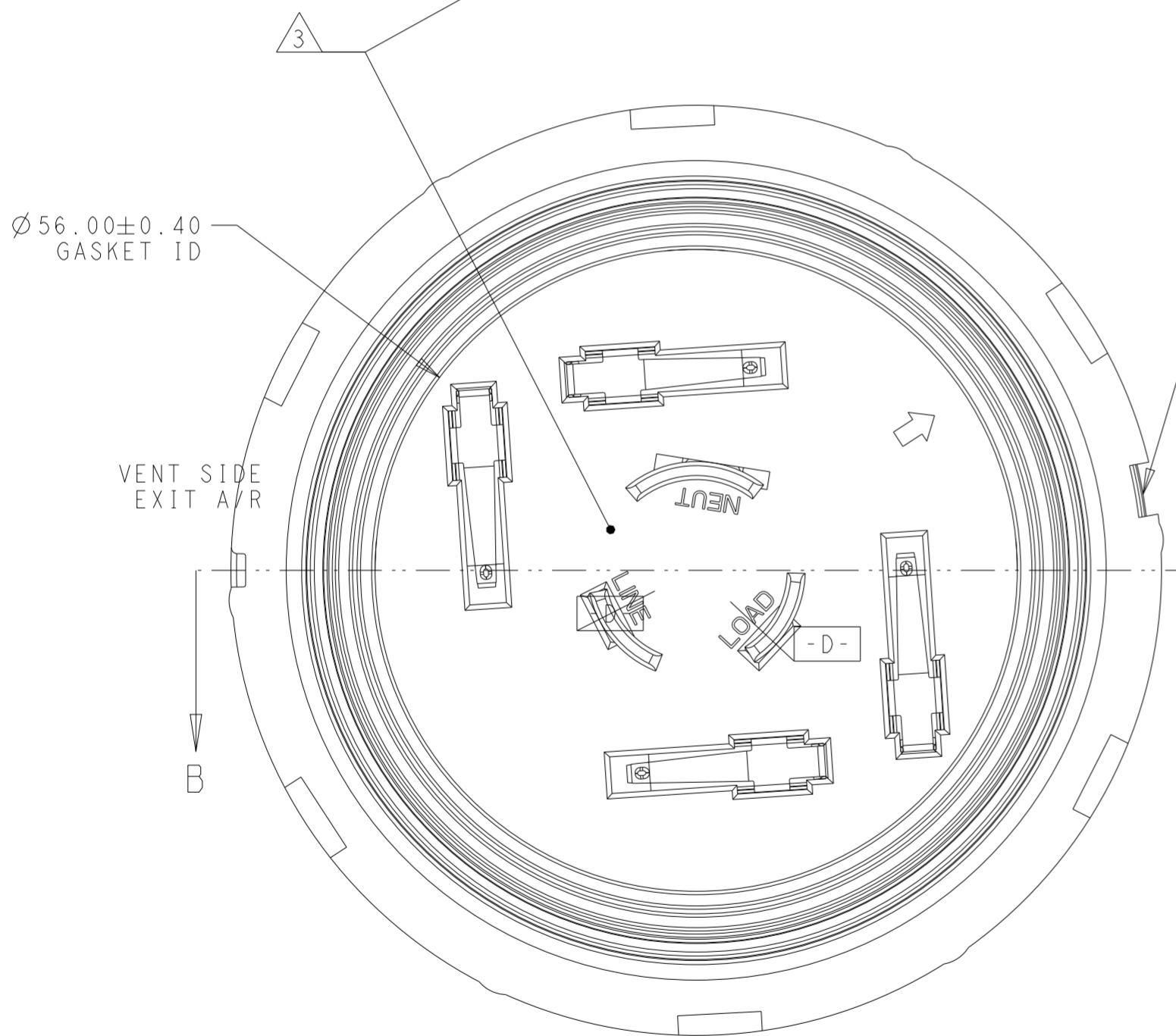
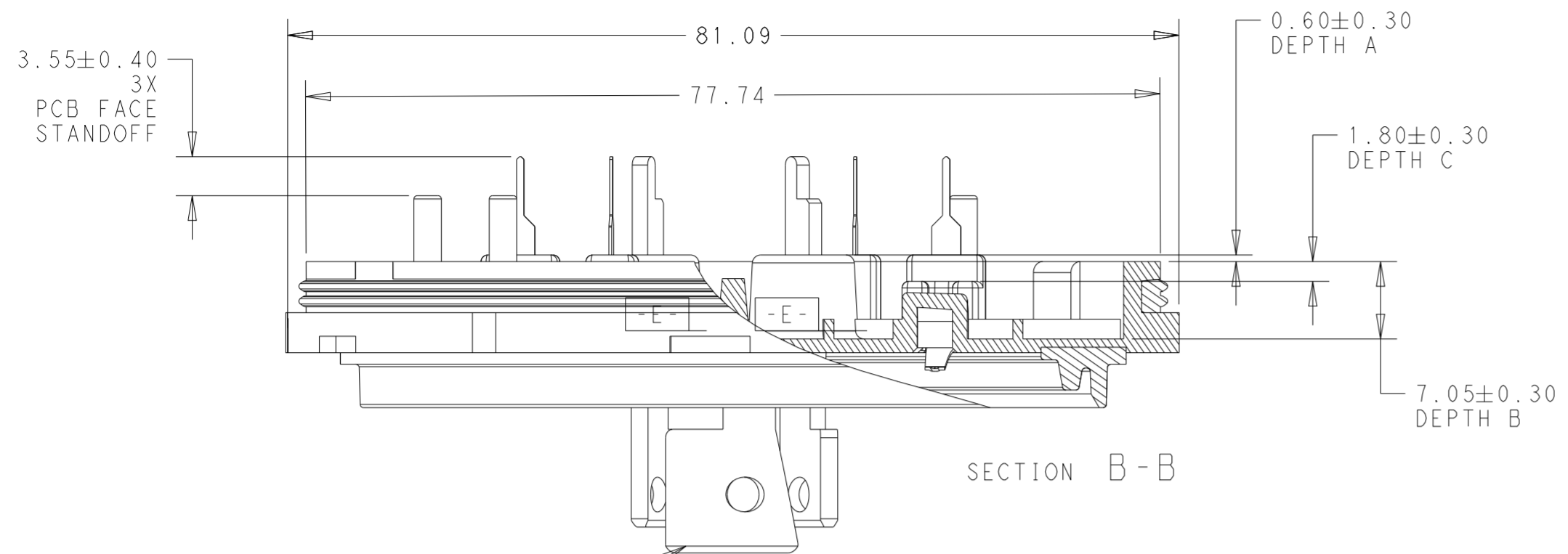
THIS DRAWING IS A CONTROLLED DOCUMENT.

DIMENSIONS: mm	TOLERANCES UNLESS OTHERWISE SPECIFIED: 0 PLC ± 1 PLC ±0.2 2 PLC ±0.13 3 PLC ±0.015 4 PLC ± ANGLES ±3° FINISH	DWN J. SCHOLZ 17NOV2023 CHK M. MOSTOLLER 17NOV2023 APVD M. MOSTOLLER 17NOV2023 PRODUCT SPEC 108-32125 APPLICATION SPEC 114-160849 WEIGHT -	NAME LUMAWISE ENDURANCE N+ ASSEMBLY INTEGRATED GASKET 81MM DIAMETER SIZE A2 CAGE CODE - DRAWING NO C-2466136 RESTRICTED TO -
MATERIAL - 1	- 2	CUSTOMER DRAWING	SCALE 1:1 SHEET 1 OF 4 REV A

STE TE Connectivity

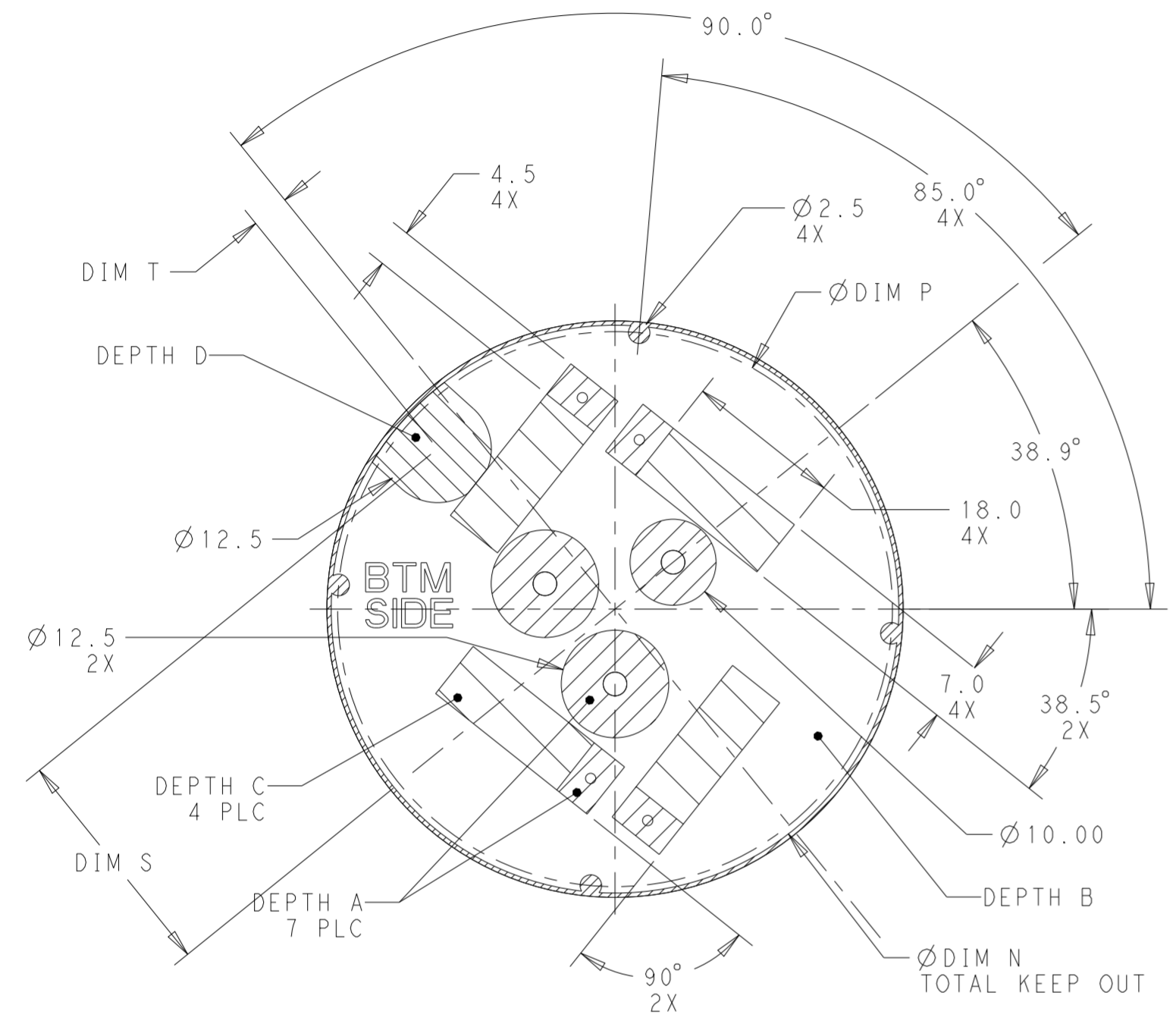
THIS DRAWING IS UNPUBLISHED. RELEASED FOR PUBLICATION 20
 © COPYRIGHT 20 BY - ALL RIGHTS RESERVED.

REVISIONS				
P	LTR	DESCRIPTION	DATE	APVD
-		SEE SHEET 1	-	-

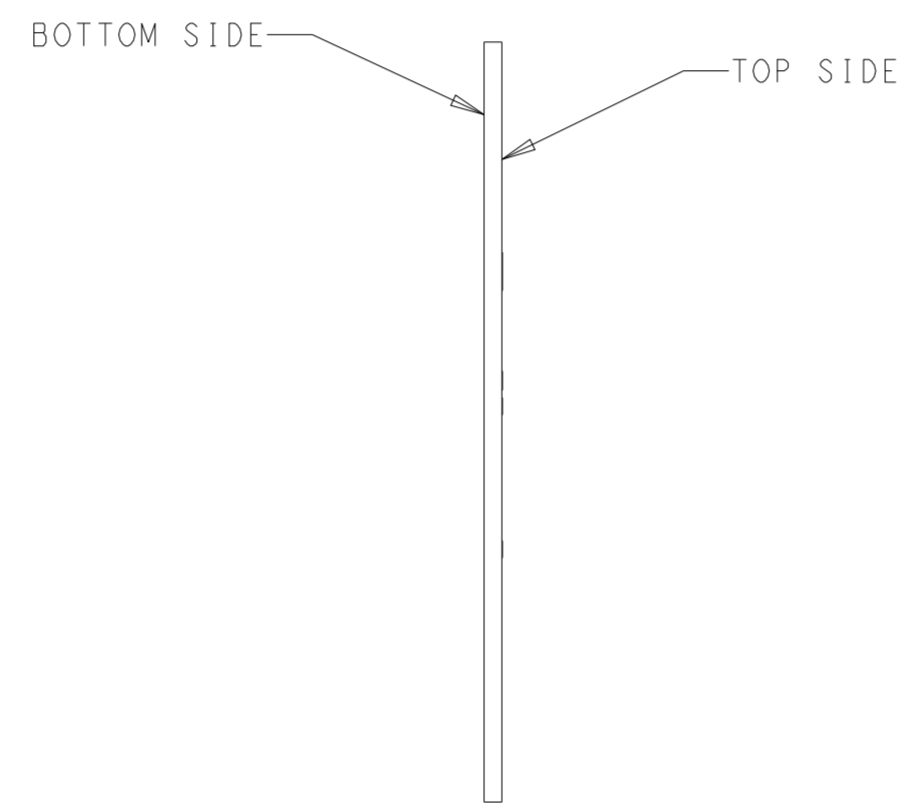


THIS DRAWING IS A CONTROLLED DOCUMENT.		DWN J. SCHOLZ 17NOV2023	TE Connectivity	
DIMENSIONS: mm		CHK M. MOSTOLLER 17NOV2023		
TOLERANCES UNLESS OTHERWISE SPECIFIED:		APVD M. MOSTOLLER 17NOV2023	NAME LUMAWISE ENDURANCE N+ ASSEMBLY INTEGRATED GASKET 81MM DIAMETER	
0 PLC ±	±0.2	PRODUCT SPEC 108-32125	SIZE A2	CAGE CODE -
1 PLC ±0.13		APPLICATION SPEC 114-160849	SCALE 2:1	SHEET 2 OF 4
2 PLC ±0.015		WEIGHT -	DRAWING NO C-2466136	REV A
3 PLC ±		CUSTOMER DRAWING		
4 PLC ±				
ANGLES ±3°				
FINISH -				

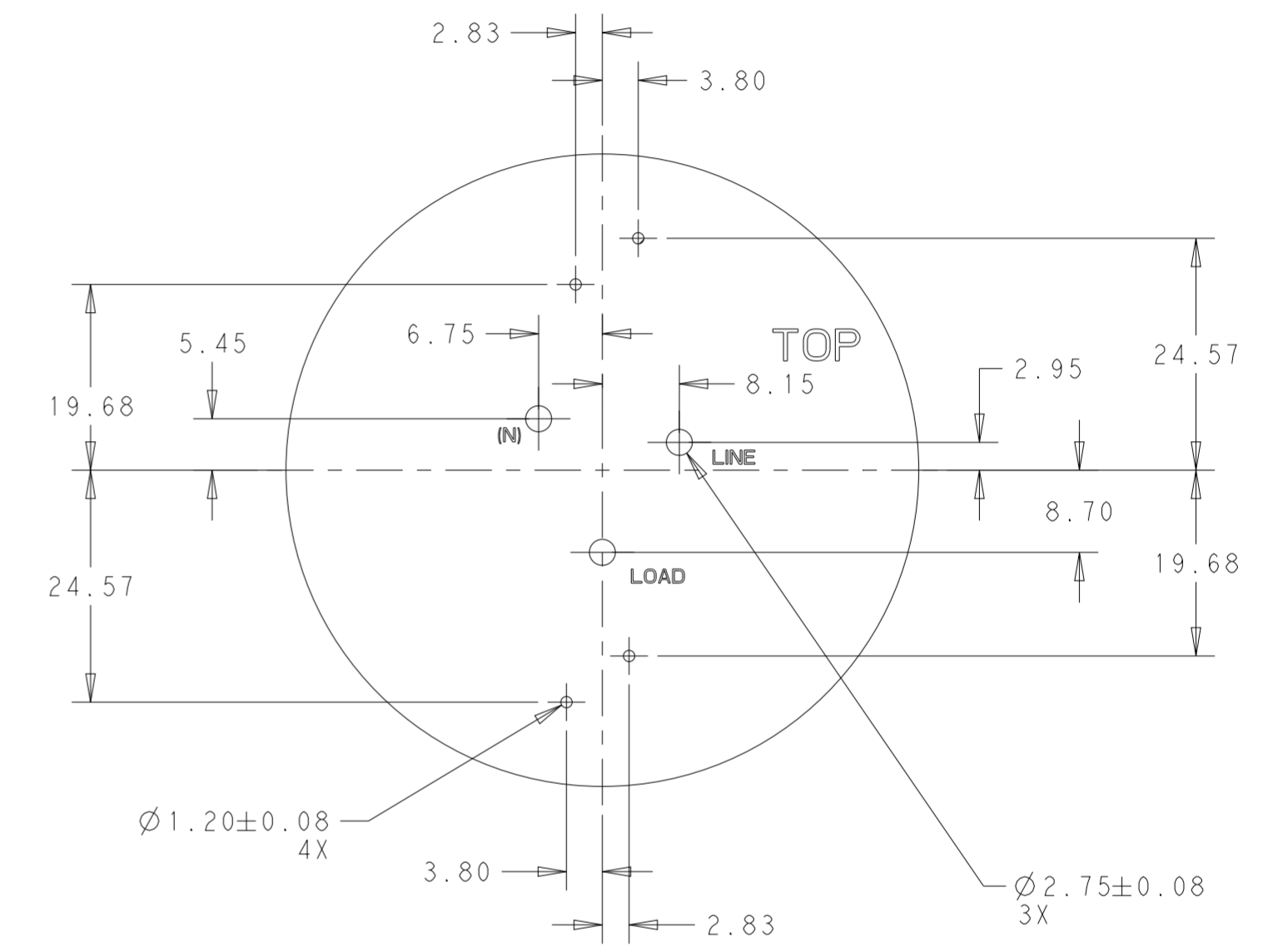
REVISIONS				
P	LTR	DESCRIPTION	DATE	APVD
-	-	SEE SHEET 1	-	-



COMPONENT KEEP OUT AREAS
ALL POSITIONS SHOWN



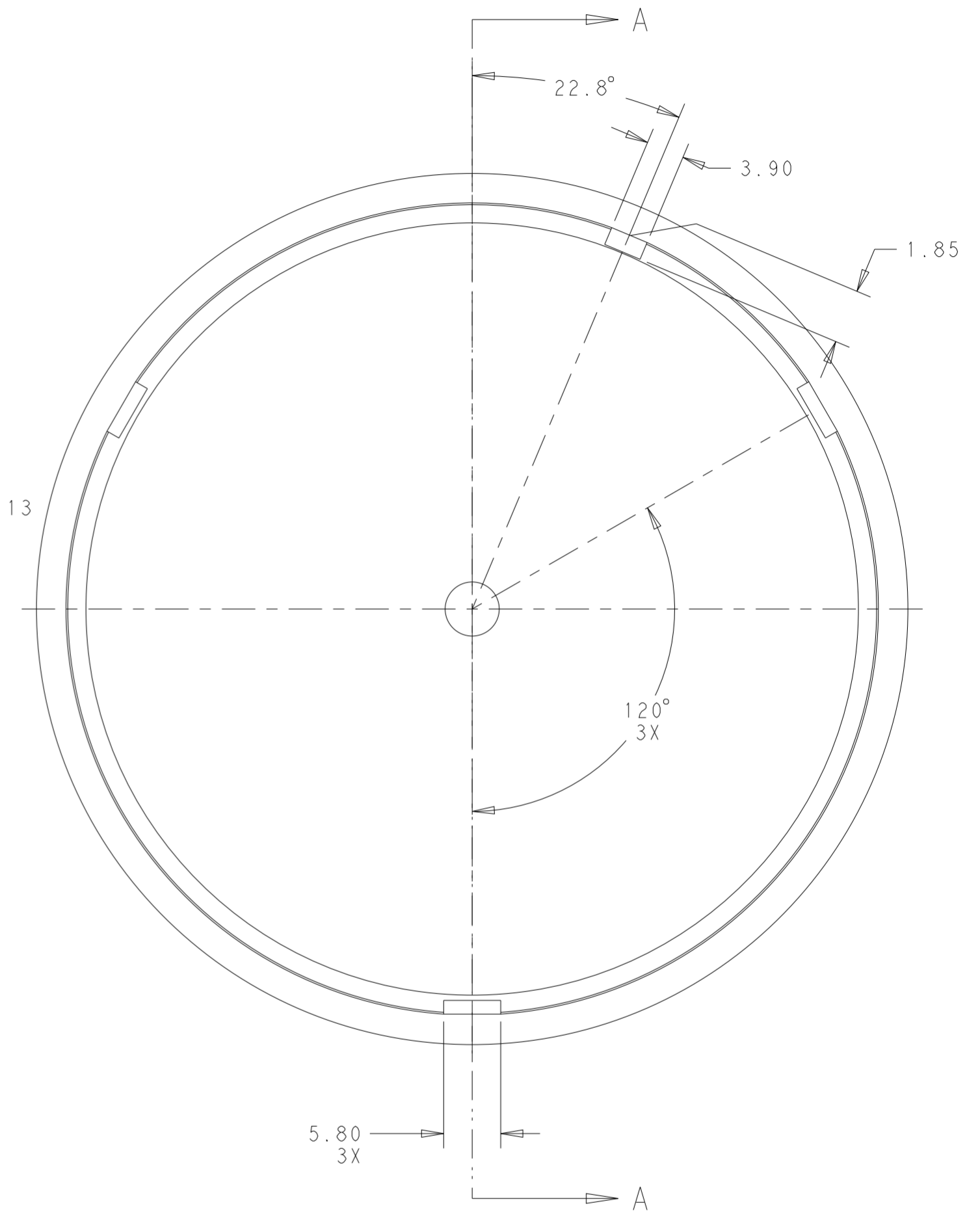
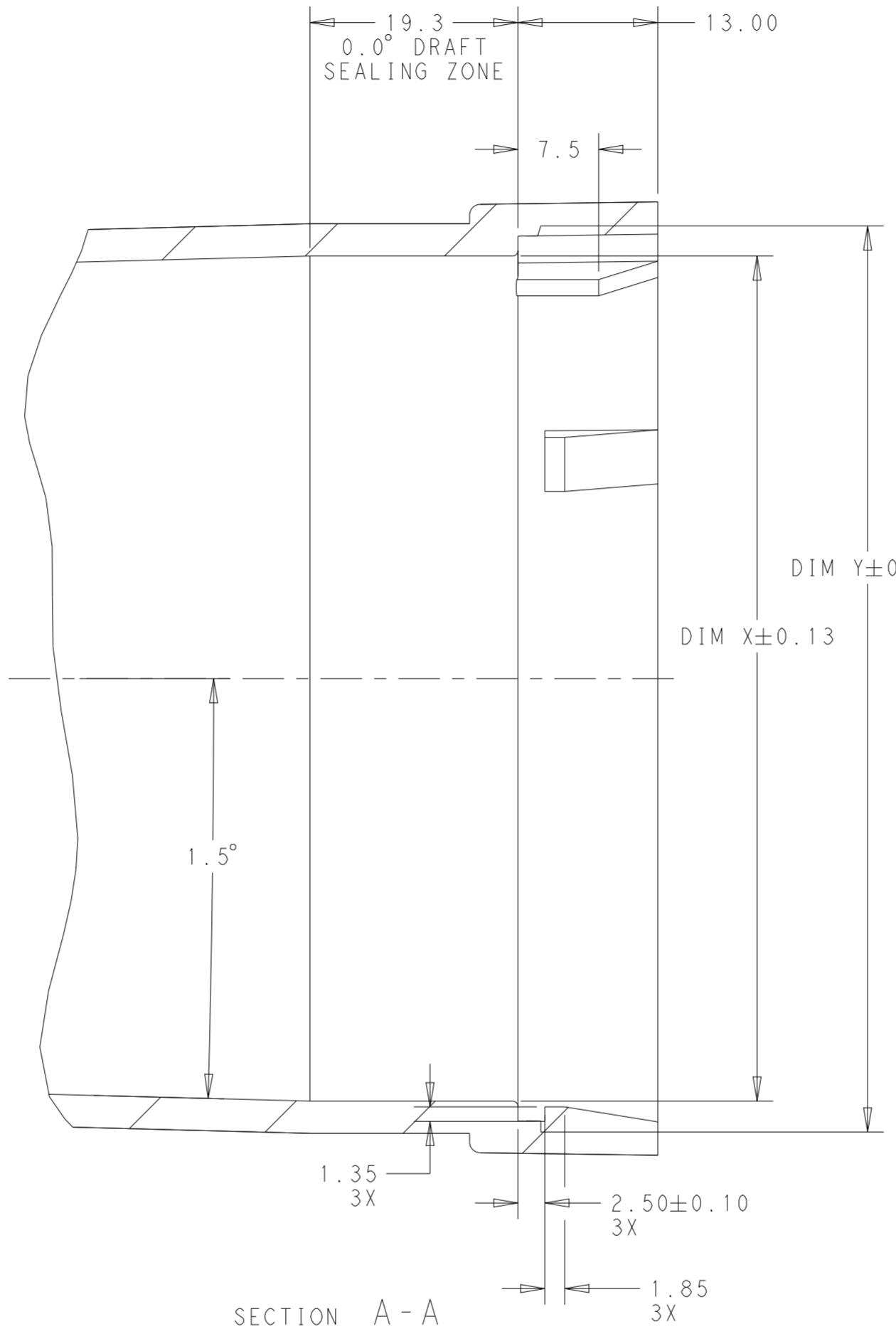
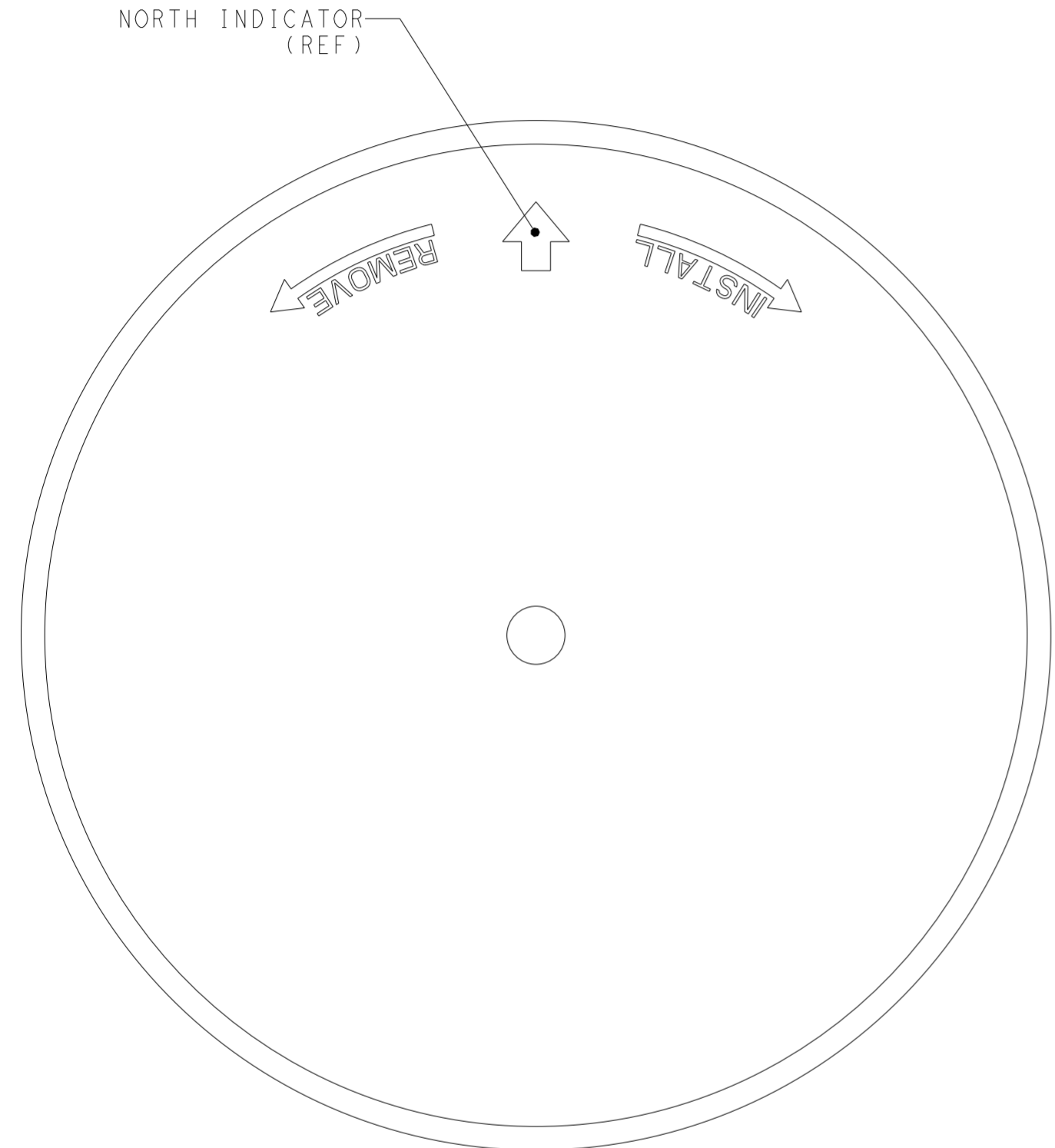
RECOMMENDED PCB
 SCALE 3:2



THIS DRAWING IS A CONTROLLED DOCUMENT.		DWN J. SCHOLZ 17NOV2023	TE Connectivity	
DIMENSIONS: mm		CHK M. MOSTOLLER 17NOV2023		
TOLERANCES UNLESS OTHERWISE SPECIFIED:		APVD M. MOSTOLLER 17NOV2023	NAME LUMAWISE ENDURANCE N+ ASSEMBLY INTEGRATED GASKET 81MM DIAMETER	
0 PLC ±	1 PLC ±0.2	PRODUCT SPEC 108-32125	SIZE A2	CAGE CODE -
2 PLC ±0.13	3 PLC ±0.015	APPLICATION SPEC 114-160849	DRAWING NO C-2466136	RESTRICTED TO -
4 PLC ±	ANGLES ±3°	WEIGHT -	SCALE 1:1	SHEET 3 OF 4
MATERIAL -	FINISH -	CUSTOMER DRAWING	REV A	

THIS DRAWING IS UNPUBLISHED. RELEASED FOR PUBLICATION 20
 © COPYRIGHT 20 BY - ALL RIGHTS RESERVED.

REVISIONS				
P	LTR	DESCRIPTION	DATE	APVD
-	-	SEE SHEET 1	-	-



MATING COVER DIMENSIONS
 FOR
 81MM DIAMETER BASES
 (2466136-1 THROUGH 2466136-6)

THIS DRAWING IS A CONTROLLED DOCUMENT.		DWN J. SCHOLZ 17NOV2023	STE TE Connectivity	
DIMENSIONS: mm		CHK M. MOSTOLLER 17NOV2023		
TOLERANCES UNLESS OTHERWISE SPECIFIED:		APVD M. MOSTOLLER 17NOV2023	NAME LUMAWISE ENDURANCE N+ ASSEMBLY INTEGRATED GASKET 81MM DIAMETER	
0 PLC ±	1 PLC ±0.2	PRODUCT SPEC 108-32125	SIZE A2	CAGE CODE -
2 PLC ±0.13	3 PLC ±0.015	APPLICATION SPEC 114-160849	DRAWING NO C-2466136	RESTRICTED TO -
4 PLC ±	ANGLES ±3°	WEIGHT -	SCALE 1:1	SHEET 4 OF 4
MATERIAL -	FINISH -	CUSTOMER DRAWING	REV A	