



## High-current terminal block; with 2 stud bolts M6

Item No.: 400-490/490-001



High-current terminal block; with 2 stud bolts M6

### Marking

RoHS ✓  
Compliant

### Business data

Supplier	WAGO
Item no.	400-490/490-001
GTIN / EAN	4017332831857
Content	1
Order amount	1
Customer item number	

### Notes

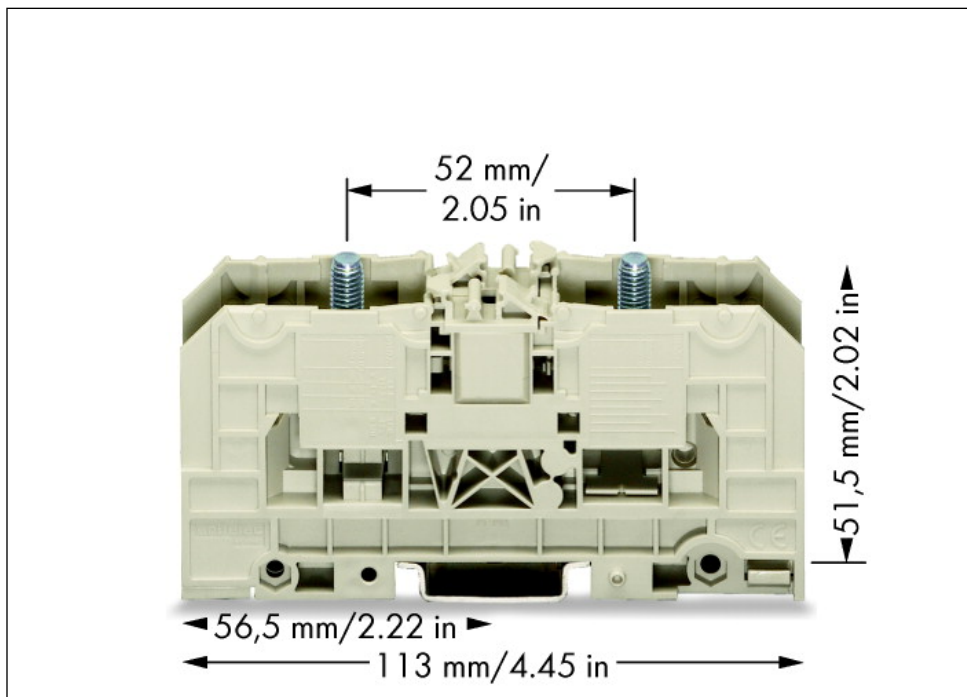
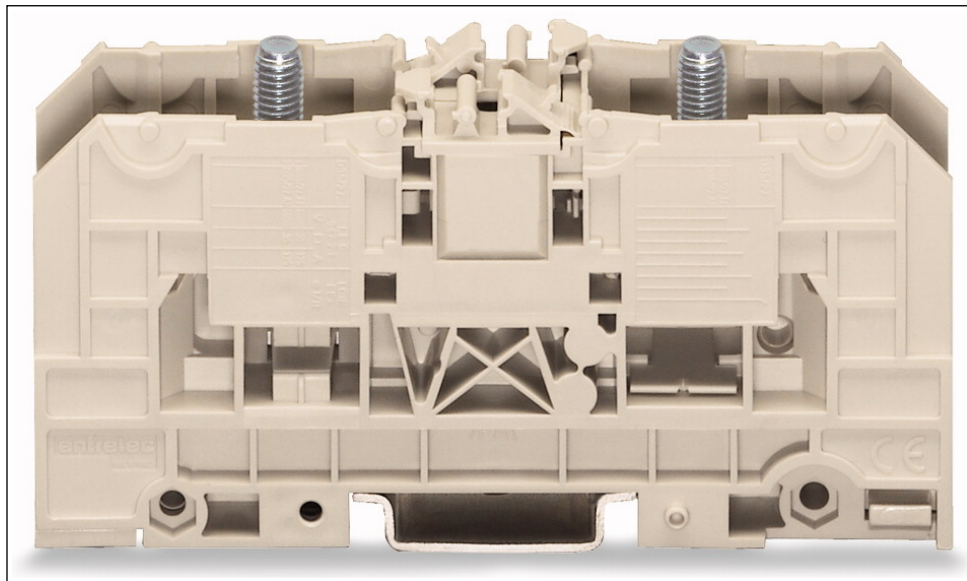
### Technical data

#### Miscellaneous

Packaging type	BOX
Rated voltage (III / 3) [V]	1000 [V]
Rated impulse voltage (III / 3) [kV]	8 [kV]
Rated current [A]	125 [A]
Legend (ratings)	(III / 3) Overvoltage category III / Pollution degree 3
Type of wiring	Side-entry wiring

<b>Technical data</b>	
<i>Total number of connection points</i>	<i>2</i>
<i>Total number of potentials</i>	<i>1</i>
<i>Number of levels</i>	<i>1</i>
<i>Connection technology</i>	<i>Screw-clamp connection/Studs</i>
<i>Actuation type</i>	<i>Operating tool</i>
<i>Connectable conductor materials</i>	<i>Copper</i>
<i>Width</i>	<i>27 mm / 1.063 Inch</i>
<i>Height from upper-edge of DIN-35 rail</i>	<i>51.5 mm / 2.028 Inch</i>
<i>Depth</i>	<i>113 mm / 4.449 Inch</i>
<i>Type of mounting</i>	<i>Carrier rail 35 x 15</i>
<i>Color</i>	<i>light gray</i>
<i>Weight [g]</i>	<i>108.7 [g]</i>

Images & drawings



**Address**

WAGO Kontakttechnik GmbH & Co. KG

Hansastr. 27

32423 Minden

Telefon: 0571/887-0

Fax: 0571/887-169

<http://www.wago.com>

© WAGO Kontakttechnik GmbH & Co. KG

Technische Änderungen und Irrtümer vorbehalten.