



2-conductor female connector; with locking levers; 4-pole; Pin spacing 5 mm / 0.197 in; codable; with 2 latches

Item No.: 231-2104/037-000



2-conductor female connector; with locking levers; 4-pole; Pin spacing 5 mm / 0.197 in; codable; with 2 latches

Marking

RoHS ✓
Compliant

Business data

Supplier	WAGO
Item no.	231-2104/037-000
GTIN / EAN	4044918562973
Content	1
Order amount	50
Customer item number	

Notes

Item description: Universal connection for all conductor types Two conductor entries per pole For looping through power or data buses Bus connection is retained, even when unmated Simple, push-in terminations of solid and ferruled conductors Coding option available

Technical data

Miscellaneous

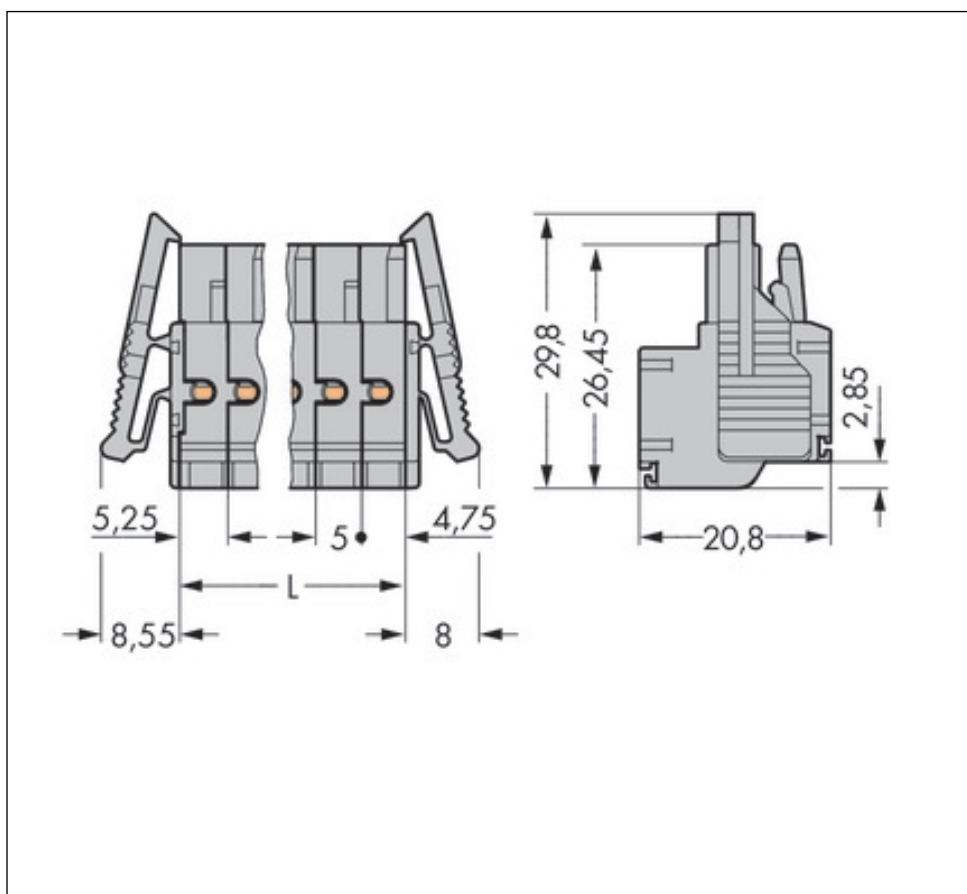
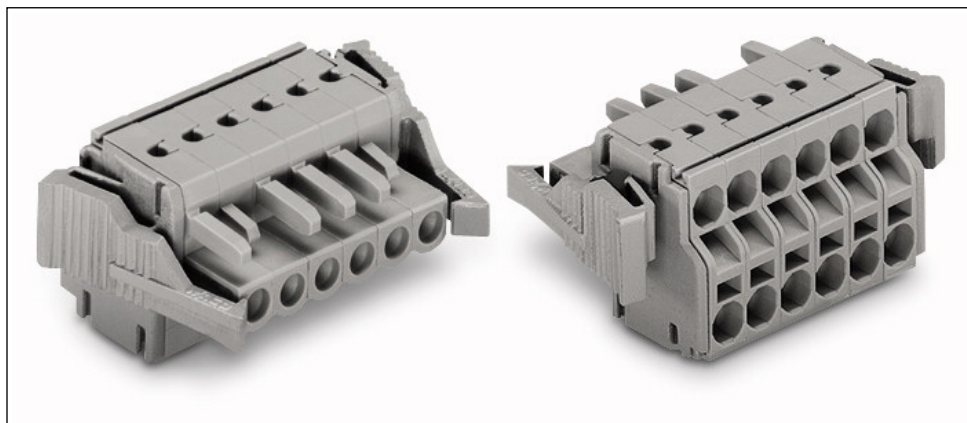
No. of poles	4
Pin spacing	5 mm (0.197 in)
Total number of connection points	8

Printview: 2-conductor female connector; with locking levers; 4-pole; Pin spacing 5 mm / 0.197 in; codable; with 2 latches - Item No.: 231-2104/037-000

Technical data	
Total number of potentials	4
Color	gray
Ratings per	IEC/EN 60664-1
Rated voltage (III / 3) [V]	320 [V]
Rated impulse voltage (III / 3) [kV]	4 [kV]
Rated voltage (III/2) [V]	320 [V]
Rated impulse voltage (III / 2) [kV]	4 [kV]
Rated voltage (II / 2) [V]	630 [V]
Rated impulse voltage (II / 2) [kV]	4 [kV]
Rated current [A]	16 [A]
Number of connection objects	1
Number of levels	1
Connection technology	Push-in CAGE CLAMP®
Number of connection points connector	2
Actuation type	Operating tool
Solid conductors, tool-operated termination	0.2 ... 2.5 mm ² / 24 ... 12 AWG
Fine-stranded conductors, tool-operated termination	0.2 ... 2.5 mm ² / 24 ... 12 AWG
Fine-stranded conductors with insulated ferrule	0.25 ... 1.5 mm ² / ...
Fine-stranded conductors with uninsulated ferrule	0.25 ... 2.52 mm ² / ...
Strip length	9 ... 10 mm / 0.35 ... 0.39 inch
Material group	I
Insulating material	Polyamide 66 (PA 66)
Flammability class per UL94	V0
Limit temperature range	-60 ... 85 C
Clamping spring material	Chrome-nickel spring steel (CrNi)
Contact material	Copper alloy
Contact plating	tin-plated
Fire load [MJ]	0.193 [MJ]
Weight [g]	10.546 [g]
Width	36.55 mm / 1.439 in.
Height	20.8 mm / 0.819 in.
Depth	29.8 mm / 1.173 in.

Printview: 2-conductor female connector; with locking levers; 4-pole; Pin spacing 5 mm / 0.197 in; codable; with 2 latches - Item No.: 231-2104/037-000

Images & drawings



Printview: 2-conductor female connector; with locking levers; 4-pole; Pin spacing 5 mm / 0.197 in; codable; with 2 latches - Item No.: 231-2104/037-000

Address

WAGO Kontakttechnik GmbH & Co. KG

Hansastr. 27

32423 Minden

Telefon: 0571/887-0

Fax: 0571/887-169

<http://www.wago.com>

© WAGO Kontakttechnik GmbH & Co. KG

Technische Änderungen und Irrtümer vorbehalten.