

2J7810B

433 MHz ISM Screw Mount

Key Features

433 MHz ISM

- 433-435 MHz

Screw Mount

Ground Plane Dependent

Customized Cable and Connector

Dimensions 205 × 60 mm

Certificates IP67, IP69K



1. Antenna and electrical specifications

Parameters	433 MHz ISM Antenna
Standards	ISM, LoRa
Band (MHz)	433 MHz
Frequency (MHz)	433-435
Return Loss (dB)	~-9.2
VSWR	~2.0:1
Efficiency (%)	~50
Peak Gain (dBi)	~-0.1
Average Gain (dB)	~-3.0
Impedance (Ohm)	50
Polarisation	Linear
Radiation Pattern	Omni-Directional
Max. Input Power (W)	50
Connector Type	SMA-Male Standard (Other Connectors Available)
Cable Length	300 cm Standard (Any Cable Length Available)
Cable Type	RG174 Standard (Other Cables Available)

Antenna Measurement Conditions:

Mounted on 30 x 30 cm Metal Plate

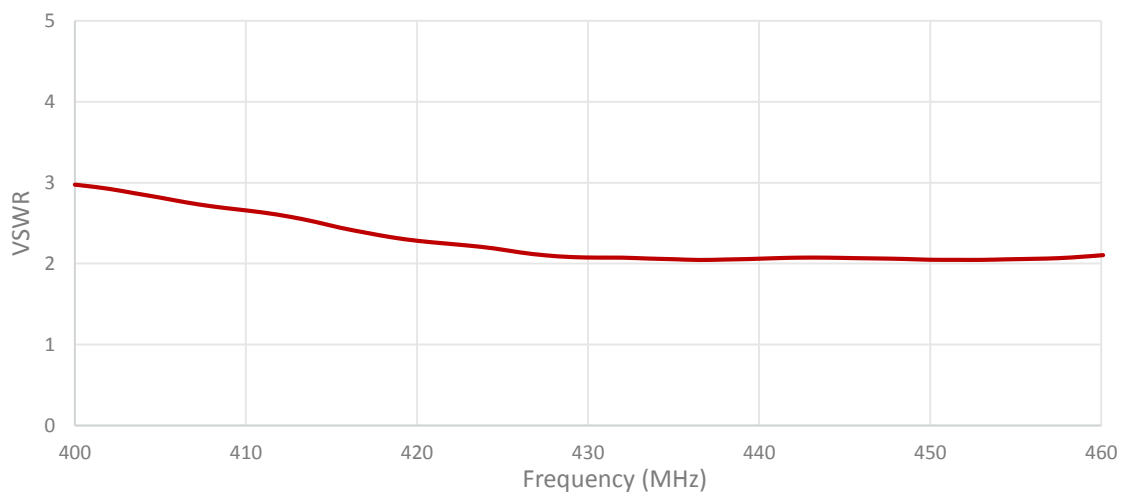
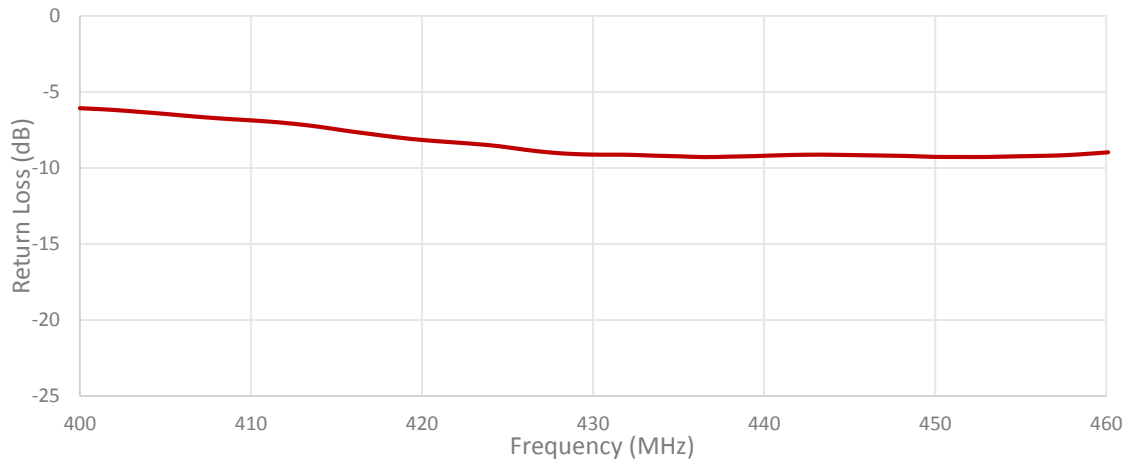
200cm of RG174 Cable

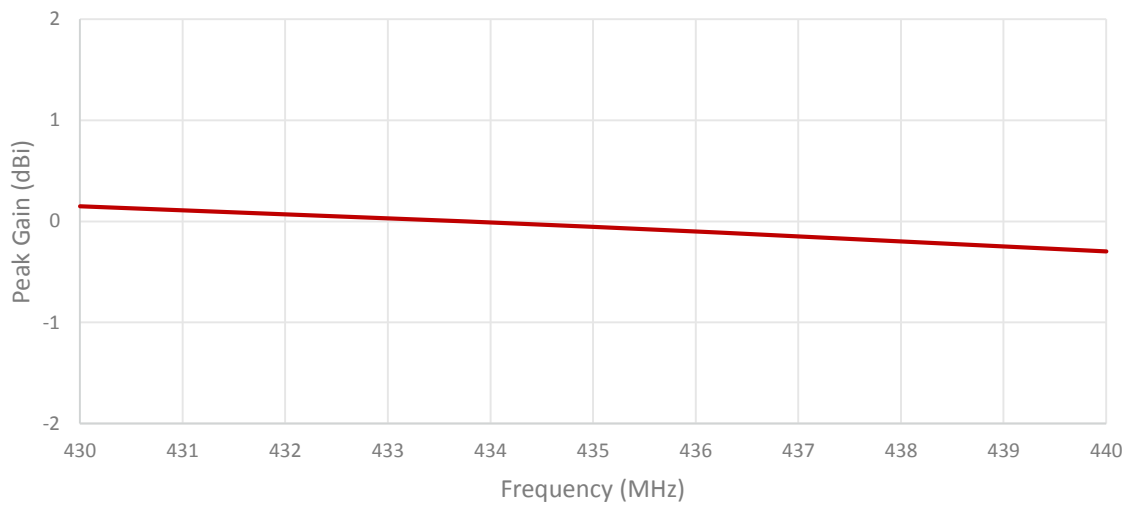
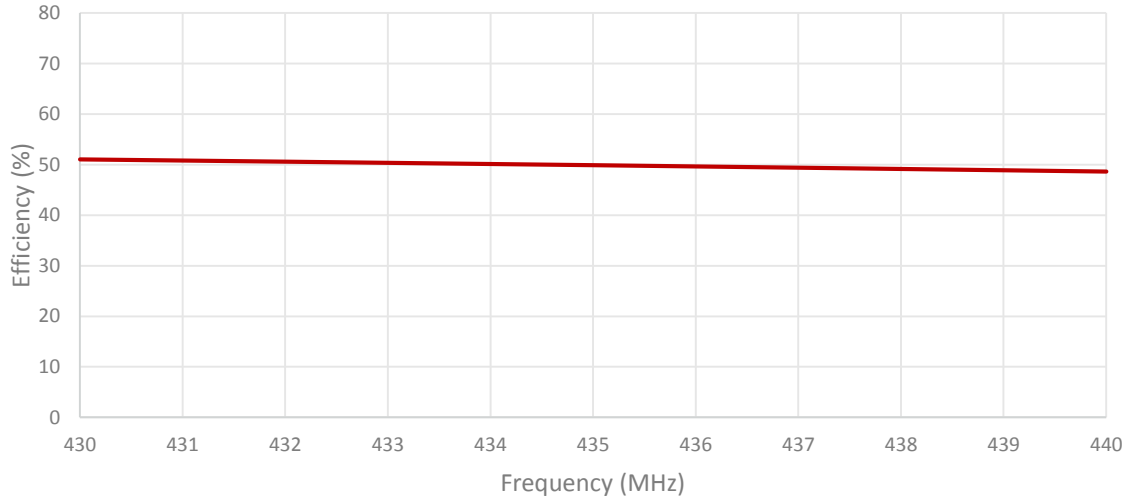
Measured in Certified CTIA 3D Anechoic Chamber

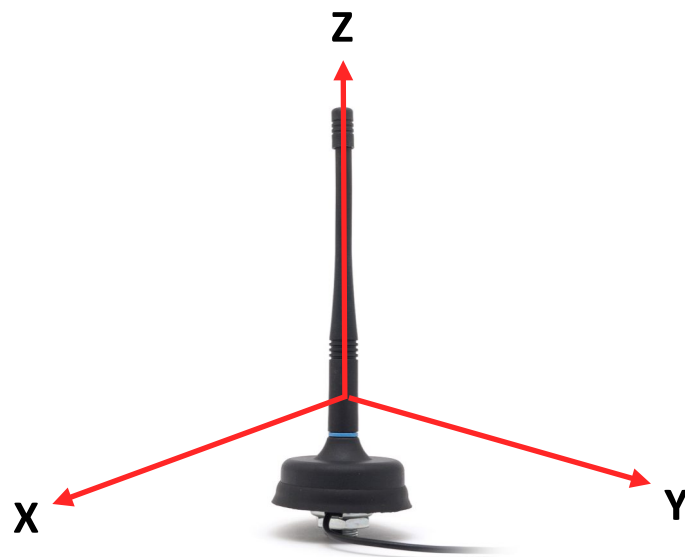
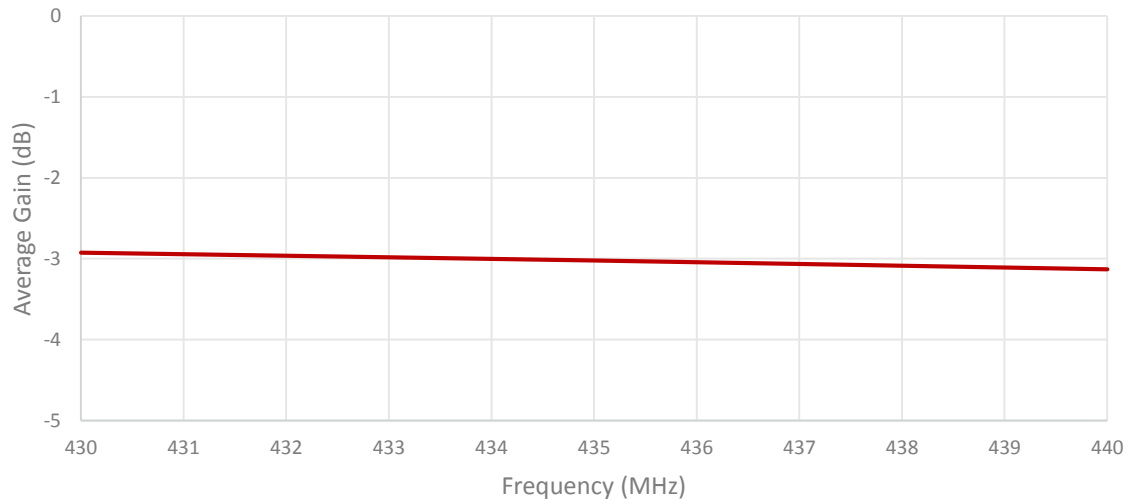
2. Mechanical and environmental specifications

Specifications	2J7810B
Mounting Type	Screw Mount
Dimensions (mm)	205 × 60
Max. Tighten Torque (Nm)	6 Nm
Radome	ABS/TPE
Radome color	Black
Antenna Base	Zamak
Operating Temperature (C)	-40 to +85
Storage Temperature (C)	-40 to +85
Substance Compliance	RoHS
Certificates	IP67, IP69K

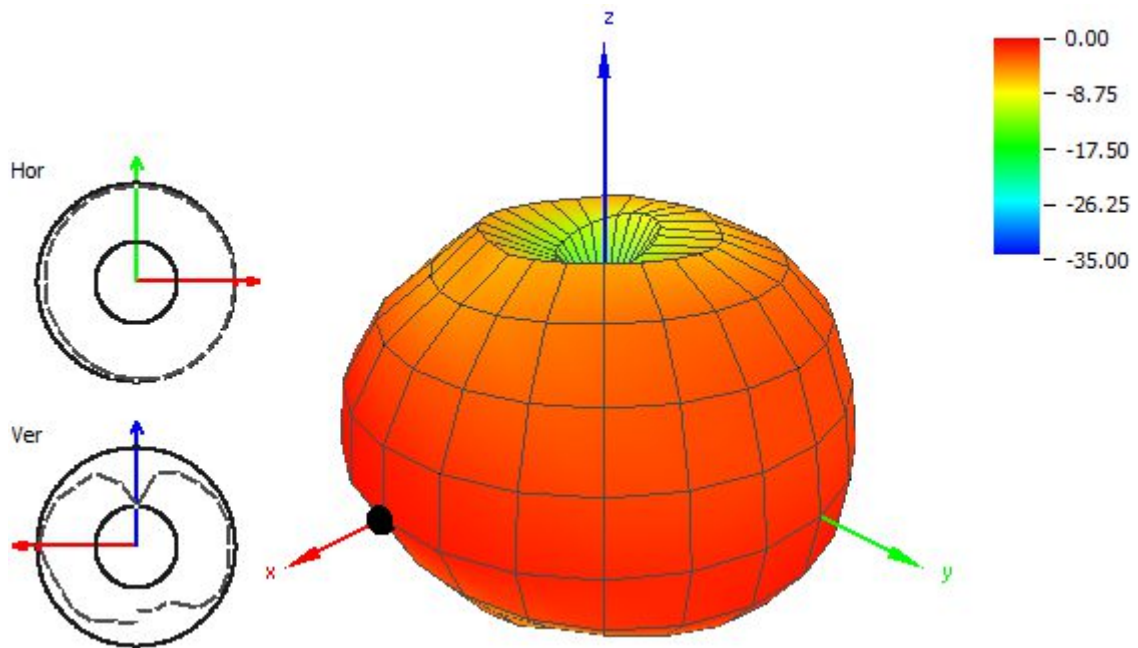
3. Antenna parameters





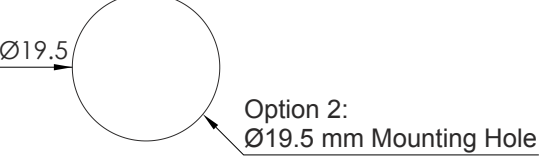
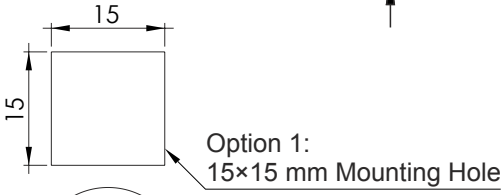
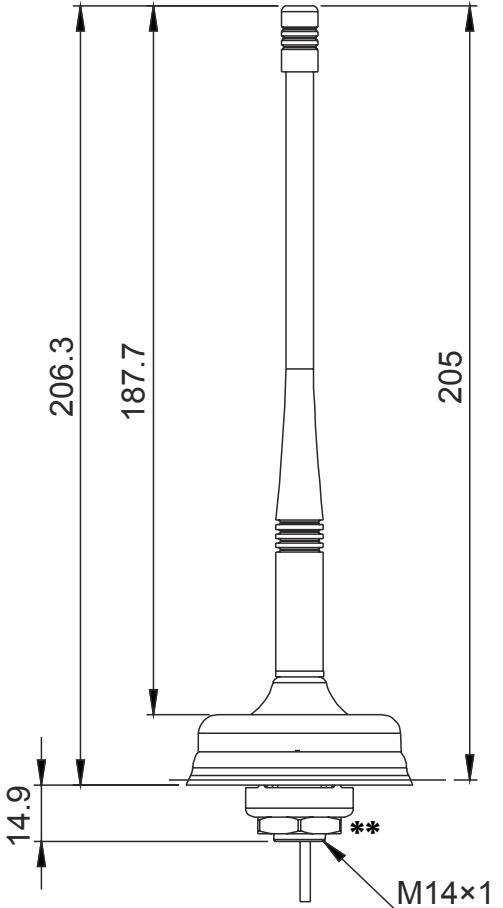
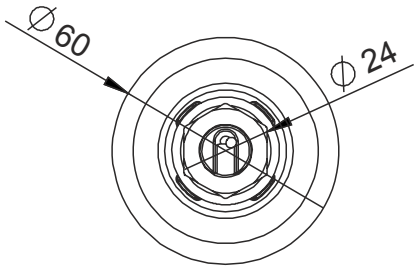


Radiation pattern reference



433 MHz Radiation pattern

4. Antenna drawings



Note: Dimensions are in millimeters
***Dimensions are after mounting**
****Max. Torque= 6 Nm**

5. Antenna Images

