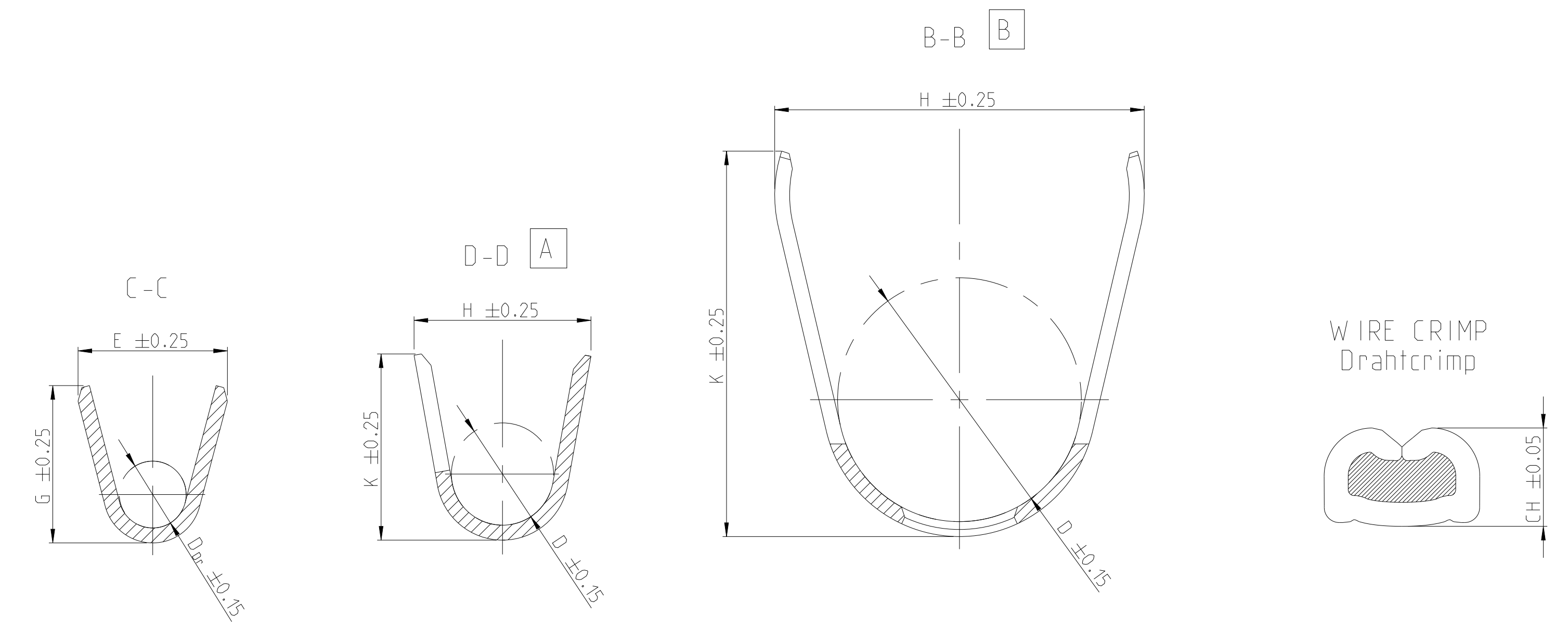


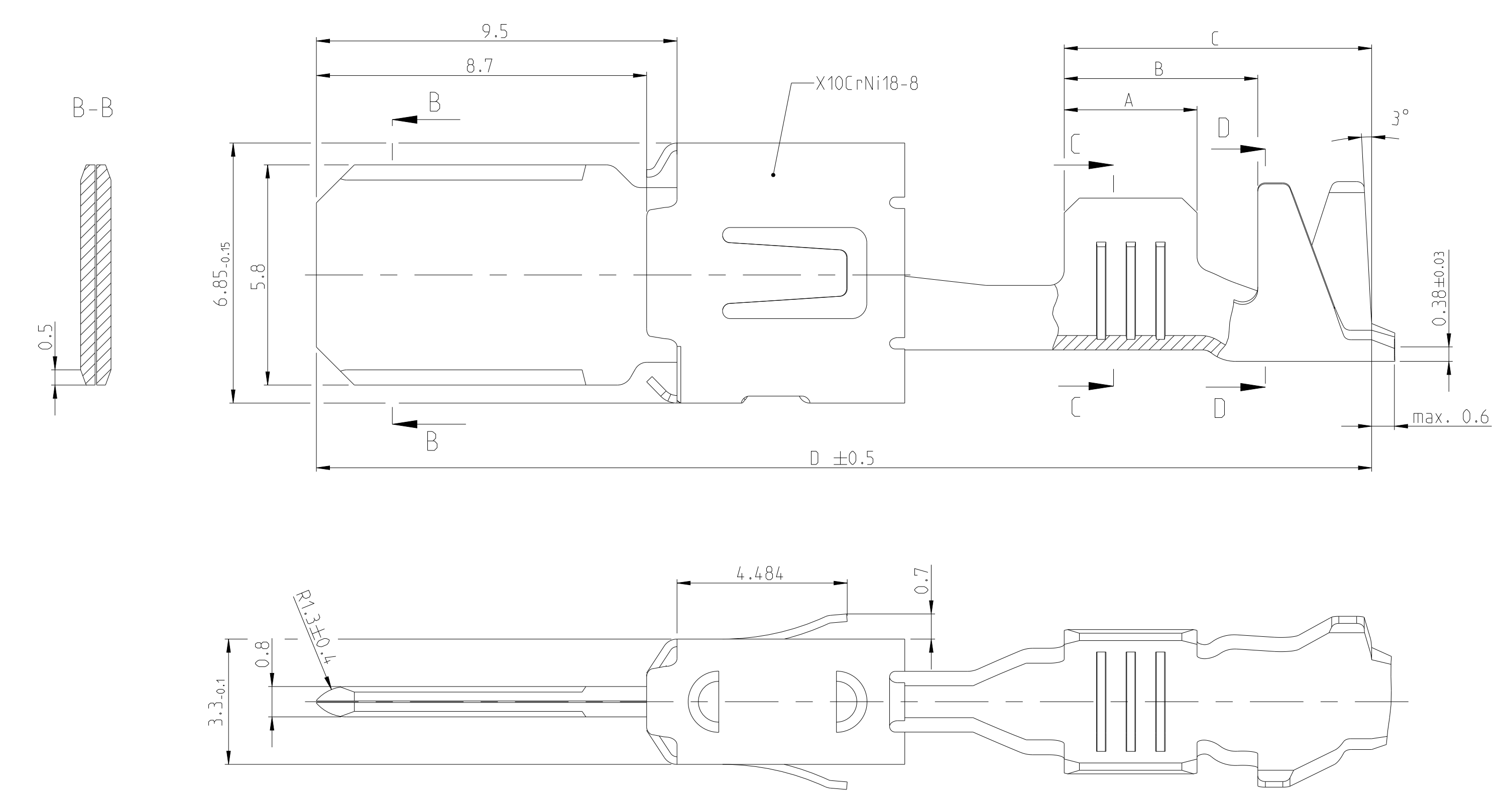
NOTES
Bemerkungen

- CONTACT AREA PRE SILVER MIN. 3µm
OTHER AREA PRE SILVER MIN. 1µm
SPRING BLANK
Kontaktzone vorversilbert min. 3µm
uebriger Bereich vorversilbert min. 1µm
Ueberfederer blank
- PRE TIN MIN. 1µm
SPRING BLANK
Vorverzinkt min. 1µm
Ueberfederer blank
- OBSOLETE
Veraltet



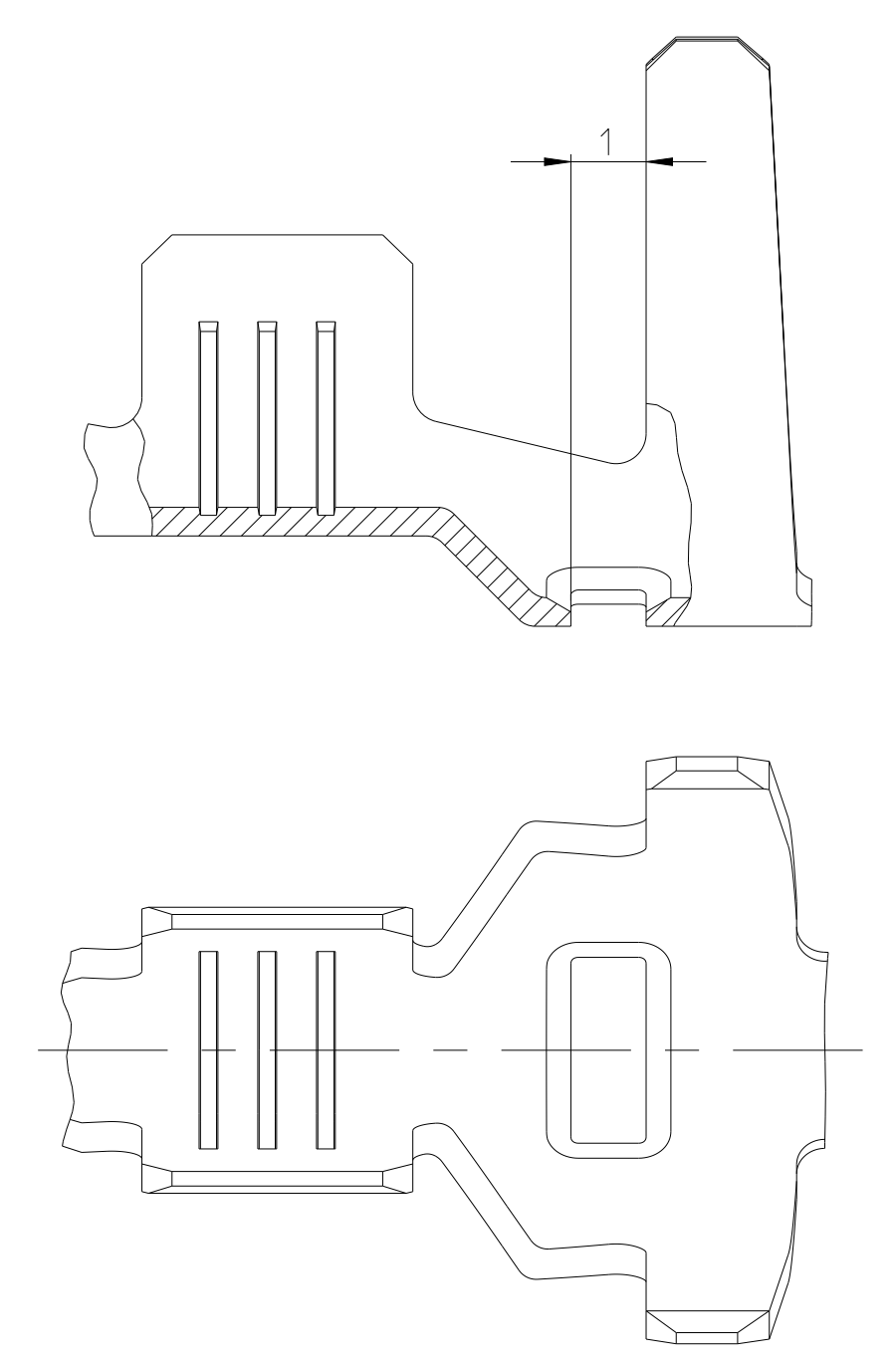
FLR-/FLK-WIRE
FLR-/FLK-Leitung

DESIGN 1
Ausfuehrung 1

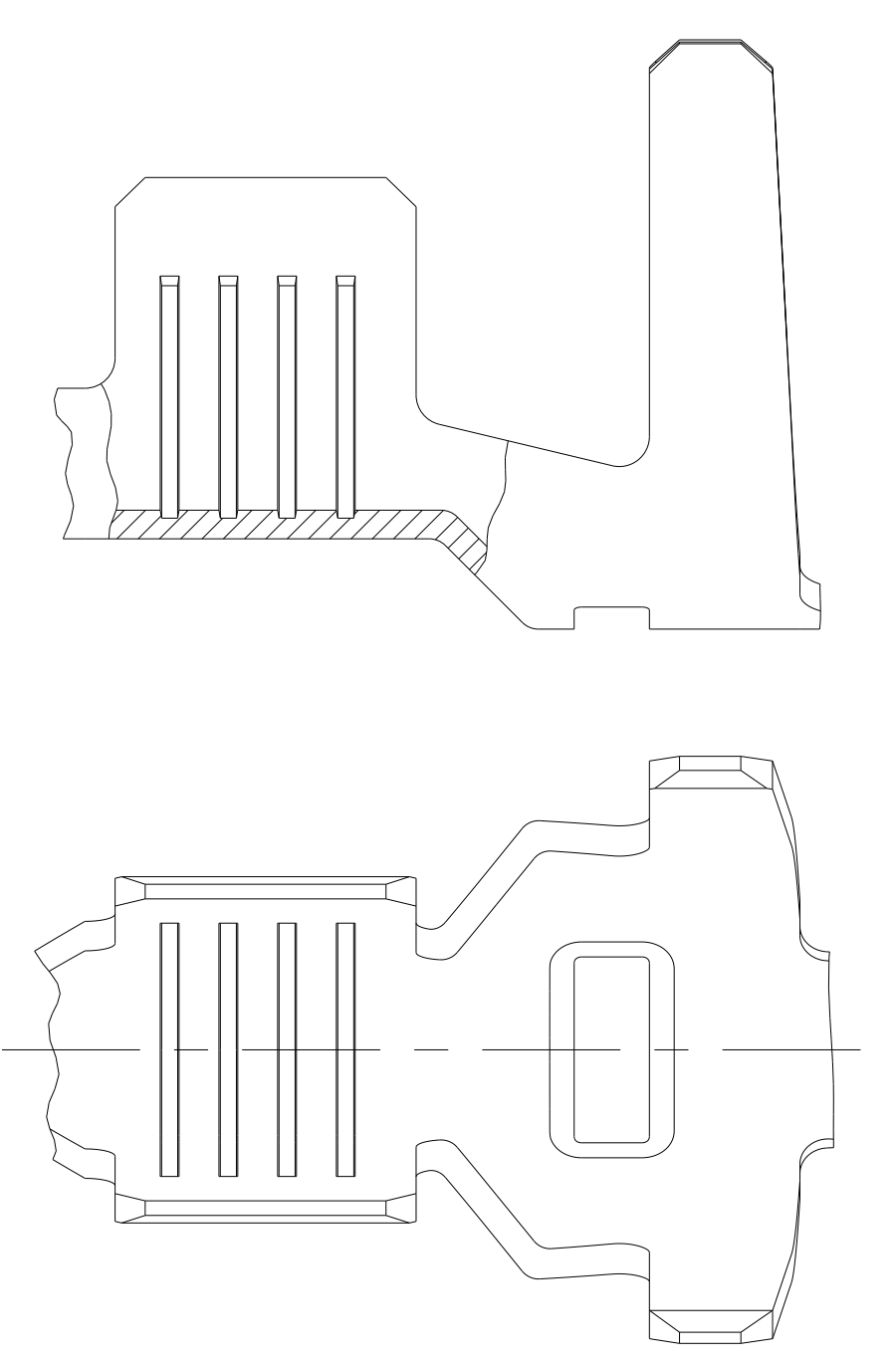


SINGLE WIRE SEAL
Einzeldichtungssystem

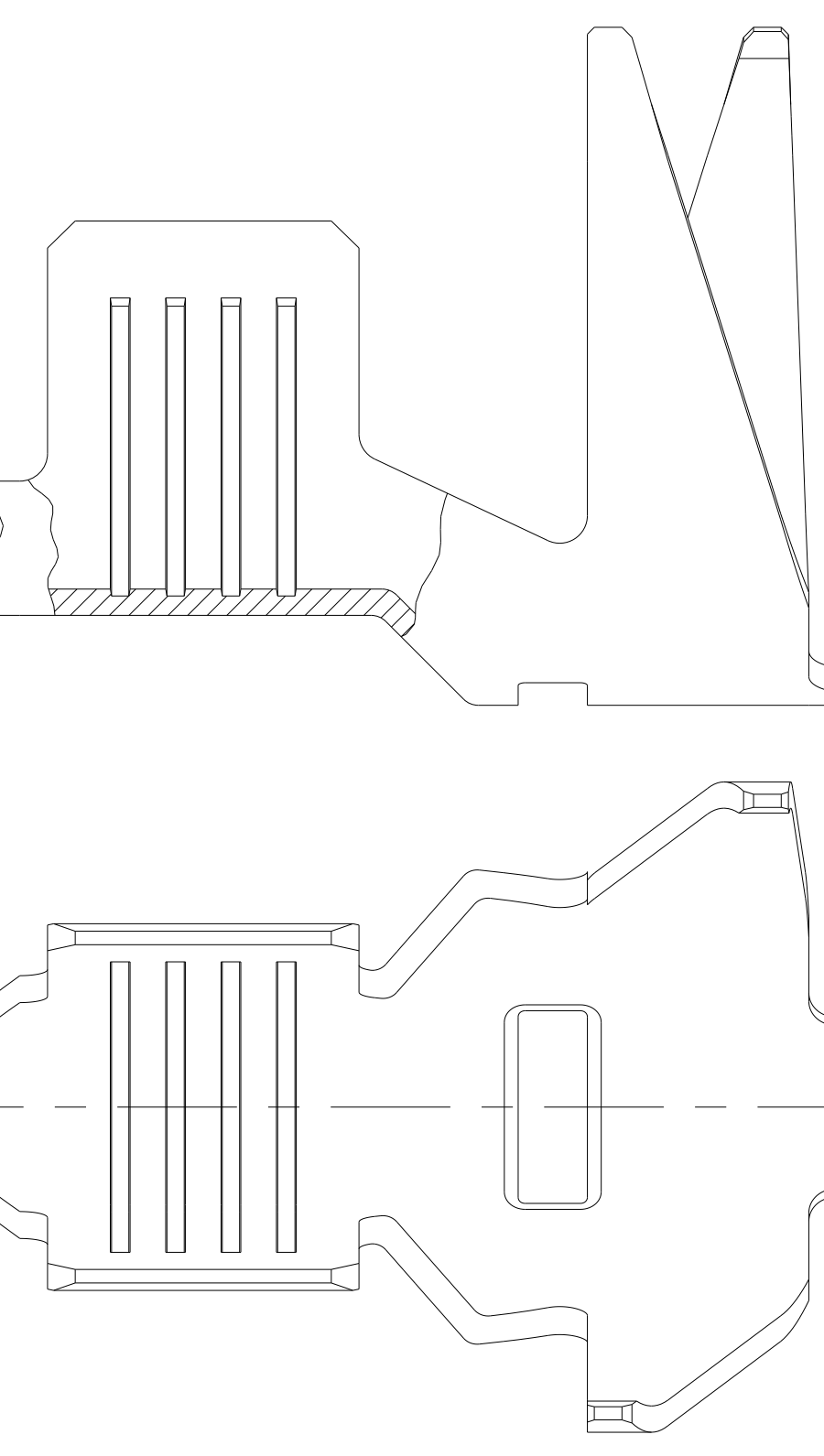
DESIGN 5
Ausfuehrung 5



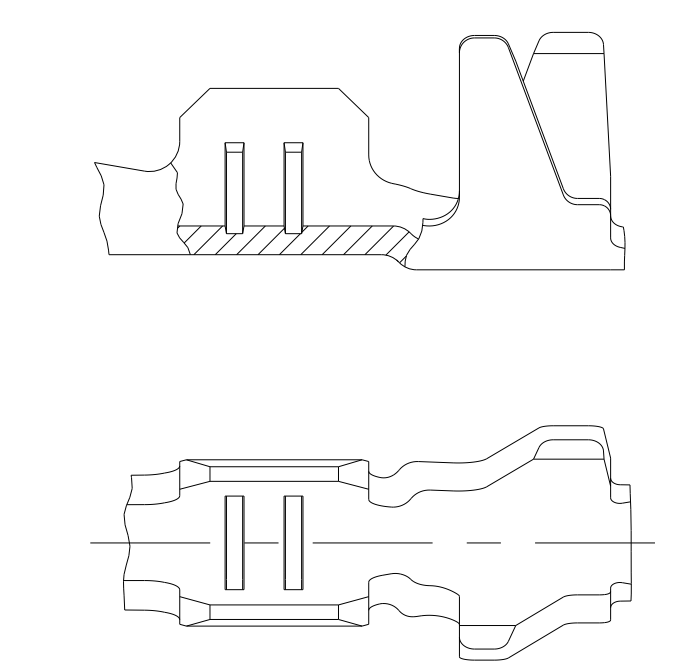
DESIGN 6
Ausfuehrung 6



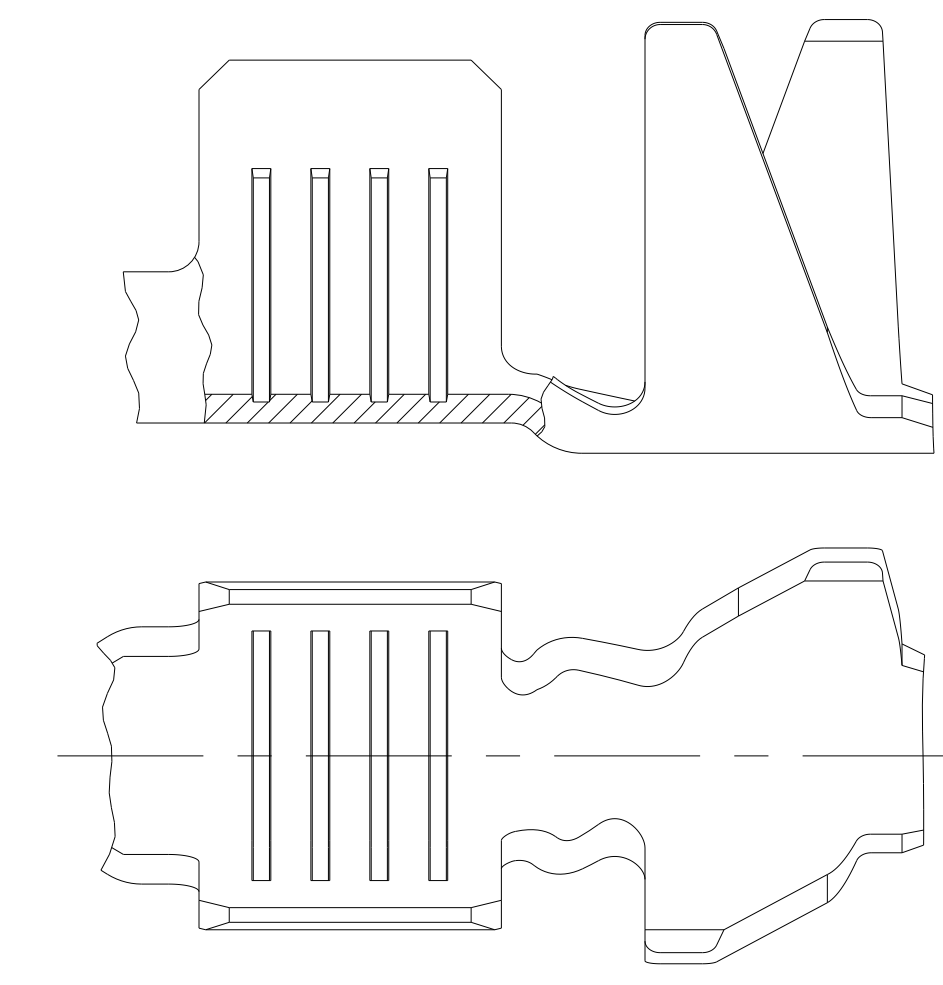
DESIGN 7
Ausfuehrung 7



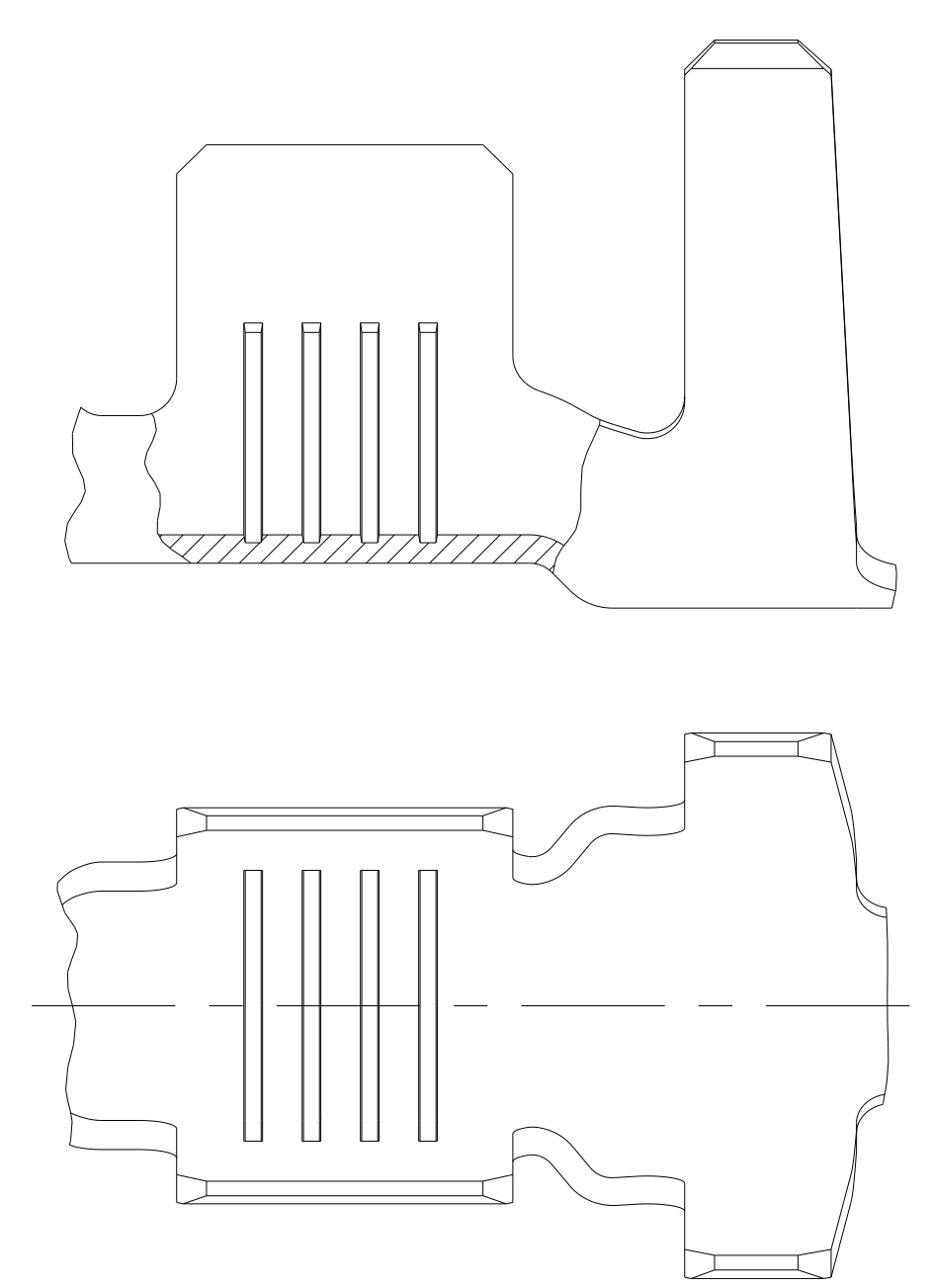
DESIGN 2
Ausfuehrung 2



DESIGN 3
Ausfuehrung 3



DESIGN 4
Ausfuehrung 4



SINGLE WIRE SEAL / Einzeldichtungssystem	Part No.	Rev.	Material	Surface	DGB	SEE / siehe	SEE / siehe	SEE / siehe	Application Tool	Extraction Tool	A	B	C	D	
						SECTION A-A Schnitt A-A	SECTION B-B Schnitt B-B	WIRE CRIMP Drahtcrimp							
FLK-WIRE / FLK-Leitung	2-2112966-2	A	CuFe2	△	6.0 AWG 10	E = 5.3 G = 5.7 D _{gr} = 2.9	H = 9.4 K = 9.8 D = 6.2	6.0 mm² = 2.35 AWG 10 = 2.30	1855636-6		4.5	7.8	11.0	29.3	
	2-962919-2	E	CuFe2	△	4.0	E = 4.6 G = 4.8 D _{gr} = 2.3	H = 7.8 K = 7.8 D = 5.5	4.0 mm² = 2.34	2-878567-2		4.0	7.1	9.1	28.3	
	1-962919-2	D	CuSn4	△					539757-2						
	1-962919-1	D	CuSn4	△											
	FLR-WIRE / FLR-Leitung	2-962918-2	E	CuFe2	△	>1.0 - 2.5	E = 3.8 G = 4.0 D _{gr} = 1.7	H = 7.8 K = 7.8 D = 5.5	2.5 mm² = 1.97 2.0 mm² = 1.83 1.5 mm² = 1.69	2-878566-2		3.6	6.7	8.7	28.3
		2-962918-1	E	CuFe2	△					539757-2					
		1-962918-2	D	CuSn4	△										
		2-962918-1	D	CuSn4	△										
		2-962917-2	D	CuSn4	△	0.5 - 1.0	E = 2.8 G = 3.0 D _{gr} = 1.1	H = 7.8 K = 7.8 D = 5.5	1.0 mm² = 1.56 0.75 mm² = 1.47 0.5 mm² = 1.38	2-878565-2		3.0	6.1	8.1	28.3
1-962917-2		D	CuSn4	△					539757-2						
1-962917-1		D	CuSn4	△											
2-968050-1		A	CuFe2	△	6.0	E = 5.3 G = 5.6 D _{gr} = 2.9	H = 7.3 K = 7.6 D = 4.6	6.0 mm² = 2.55 4.0 mm² = 2.17	2-878968-2		4.5	6.8	9.1	28.8	
1-968050-1		A	CuSn4	△	4.0										
2-962846-1	D	CuFe2	△	4.0	E = 4.6 G = 4.8 D _{gr} = 2.4	H = 6.7 K = 7.0 D = 4.0	4.0 mm² = 2.33	2-878564-2		4.0	6.0	10.8	30.5		
1-962846-2	C	CuSn4	△					539759-2							
1-962846-1	C	CuSn4	△												
1-962845-2	D	CuSn4	△	>1.0 - 2.5	E = 3.8 G = 4.0 D _{gr} = 1.7	H = 5.7 K = 5.9 D = 3.2	2.5 mm² = 1.97 2.0 mm² = 1.83 1.5 mm² = 1.69	2-878563-2		3.6	5.2	9.0	28.7		
1-962845-1	D	CuSn4	△					539759-2							
SINGLE WIRE SEAL / Einzeldichtungssystem	2-968050-2	A	CuFe2	△	6.0	E = 5.3 G = 5.6 D _{gr} = 2.9	H = 7.3 K = 7.6 D = 4.6	6.0 mm² = 2.35	2836646		4.5	6.8	9.1	28.8	
	2-963736-2	C	CuFe2	△	4.0	E = 4.6 G = 4.8 D _{gr} = 2.3	H = 5.5 K = 5.7 D = 3.2	4.0 mm² = 2.33	2-878562-2		4.0	5.9	9.3	29.0	
	2-963736-1	C	CuFe2	△											
	1-963736-2	B	CuSn4	△											
	2-963735-2	C	CuFe2	△	>1.0 - 2.5	E = 3.8 G = 4.0 D _{gr} = 1.7	H = 4.5 K = 4.7 D = 2.6	2.5 mm² = 1.97 2.0 mm² = 1.83 1.5 mm² = 1.69	2-878561-2		3.5	5.1	8.1	27.8	
	2-963735-1	C	CuFe2	△											
	1-963735-2	B	CuSn4	△											
	2-963734-2	C	CuFe2	△	0.5 - 1.0	E = 2.8 G = 3.0 D _{gr} = 1.1	H = 3.3 K = 3.5 D = 1.8	1.0 mm² = 1.56 0.75 mm² = 1.47 0.5 mm² = 1.38	2-878654-2		3.0	4.6	6.8	26.5	
	2-963734-1	C	CuFe2	△											
	1-963734-2	B	CuSn4	△											
	1-963734-1	B	CuSn4	△											
	2-965984-1	A	CuFe2	△	0.2 - 0.5	E = 2.2 G = 2.2 D _{gr} = 0.8	H = 3.1 K = 3.1 D = 1.4				2.5	3.7	5.7	26.5	
1-965984-1	B	CuSn4	△												