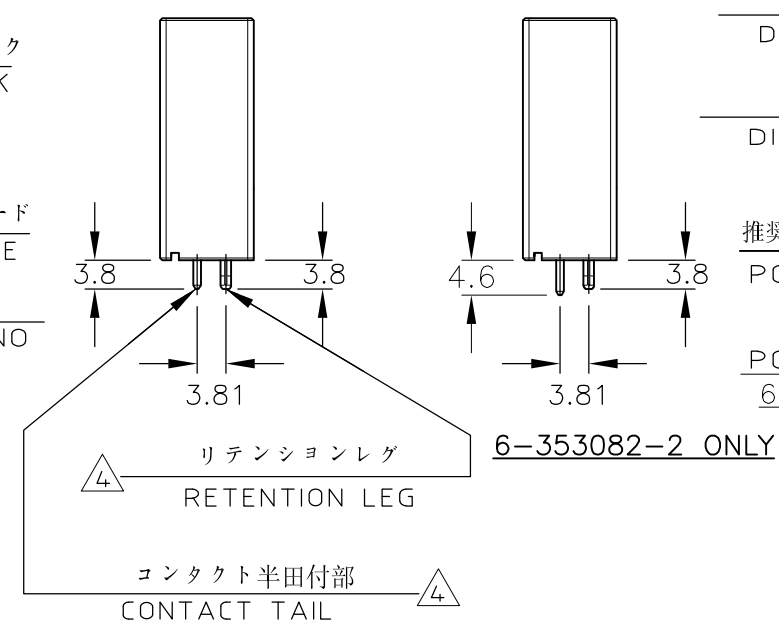
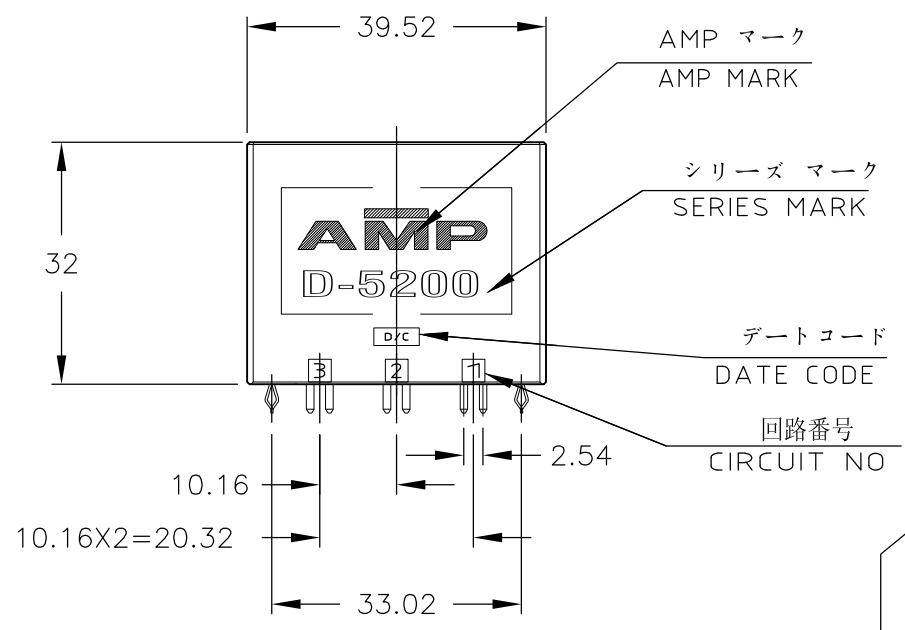
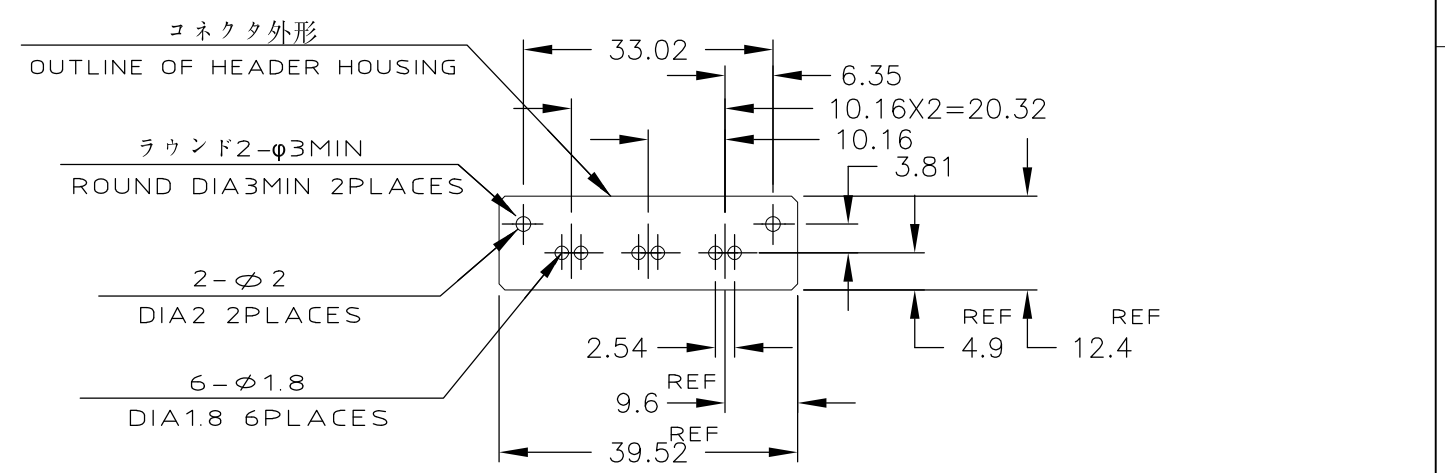
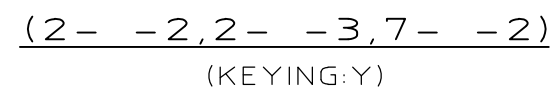
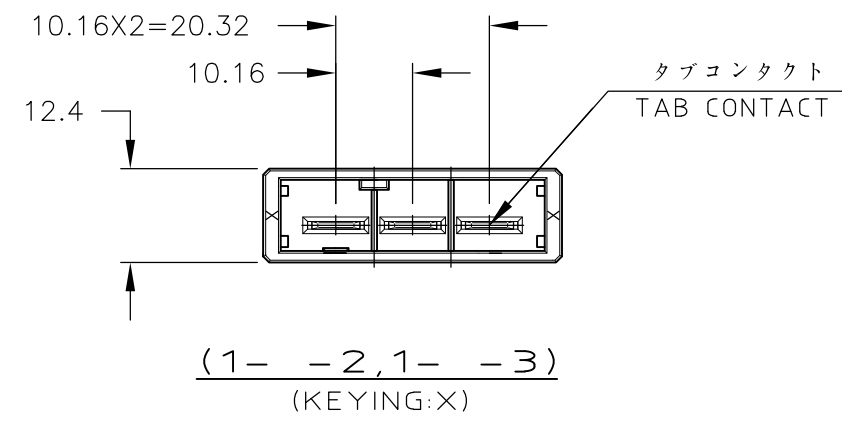


THIS DRAWING IS UNPUBLISHED. RELEASED FOR PUBLICATION  
 © COPYRIGHT 1996 By Tyco Electronics Japan G.K. ALL RIGHTS RESERVED.

LOC	DIST	REVISIONS					
		P	LTR	DESCRIPTION	DATE	DWN	APVD
—	—		F3	REVISED	23OCT2012	H.M	N.Y



- 注記
- 材料: ハウジング: ガラス入り熱可塑性ポリエステル樹脂(94V-0)  
 タブコンタクト: 銅合金  
 リテンションレグ: 黄銅
  - めっき: コンタクト 全面Ni下地  
 接触部 0.38μm MIN金めっき
  - めっき: コンタクト 全面Ni下地  
 接触部 0.76μm MIN金めっき
  - めっき: リテンションレグとコンタクト半田付部  
 : ニッケル下地の上にスズめっき

- NOTES
- MATERIAL: HOUSING: GLASS FILED THERMO PLASTIC, POLYESTER(94V-0)  
 TAB CONTACT: COPPER ALLOY  
 RETENTION LEG: BRASS
  - FINISH (CONTACT AREA): 0.38μm MIN GOLD PLATING OVER Ni PLATING
  - FINISH (CONTACT AREA): 0.76μm MIN GOLD PLATING OVER Ni PLATING
  - FINISH (RETENTION LEG): TIN PLATED (CONTACT TAIL) OVER NICKEL

KEY TYPE	コンタクトのめっき (FINISH)	色 COLOR	製品番号 (PART NO.)
Y	④ ②	NATURAL	7-353082-2
	④ ③	BLACK	2-353082-3
X	④ ②	BLACK	2-353082-2
	④ ③	BLACK	1-353082-3
KEY TYPE	④ ②	BLACK	6-353082-2
	④ ③	BLACK	1-353082-2

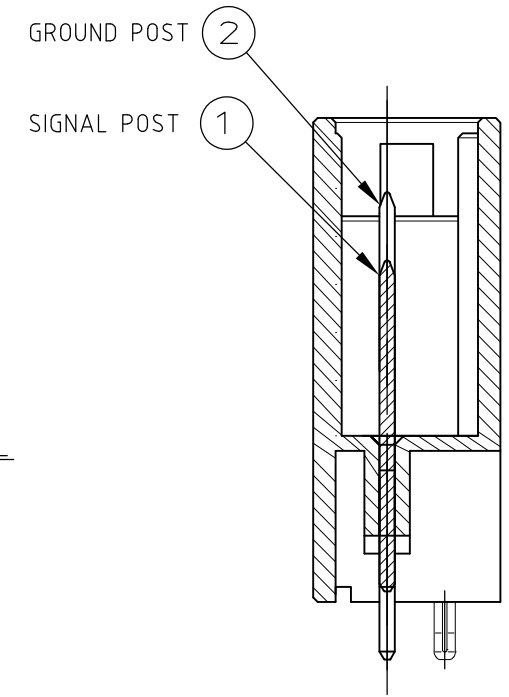
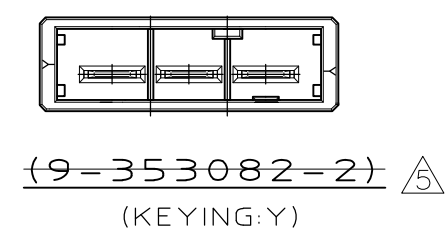
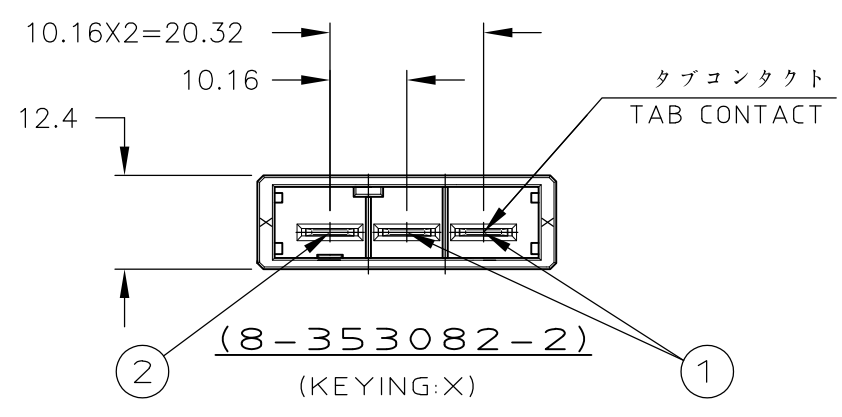
THIS DRAWING IS A CONTROLLED DOCUMENT.

DIMENSIONS: mm	TOLERANCES UNLESS OTHERWISE SPECIFIED: 0 PLC ± 10 ± 0.3 1 PLC ± 30 > 10 ± 0.35 2 PLC ± 100 > 30 ± 0.4 3 PLC ± 4 PLC ± ANGLES ± 3'	DWN K.IKEDA 04JUL1996	TE Connectivity SINGLE ROW HEADER ASSY 3P V-TYPE DYNAMIC D-5200S
MATERIAL: SEE NOTE	FINISH: SEE NOTE	CHK Y.ISHIKAWA 04JUL1996	
		APVD F3 04JUL1996	
		PRODUCT SPEC: 108-5453	
		APPLICATION SPEC: 114-5206	NAME: A300779 C-353082
		WEIGHT:	SIZE: A3 CAGE CODE: 00779 DRAWING NO: C-353082 RESTRICTED TO: -
		CUSTOMER DRAWING	SCALE: 1:1 SHEET: 1 OF 2 REV: F3

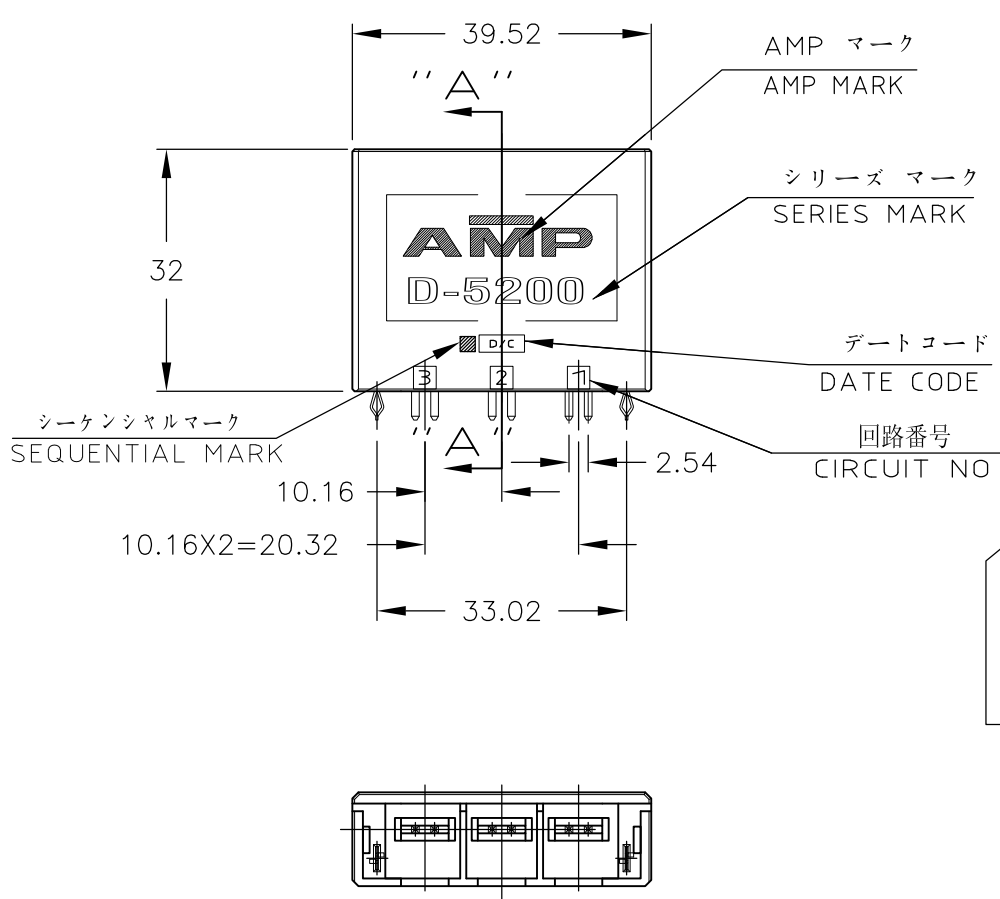
THIS DRAWING IS UNPUBLISHED. RELEASED FOR PUBLICATION  
 © COPYRIGHT 1996 By Tyco Electronics Japan G.K. ALL RIGHTS RESERVED.

LOC	DIST	REVISIONS					
		P	LTR	DESCRIPTION	DATE	DWN	APVD
-	-	-	-	SEE SHEET 1	-	-	-

8,9-353082-2; AS SHOWN  
 SEQUENTIAL TYPE

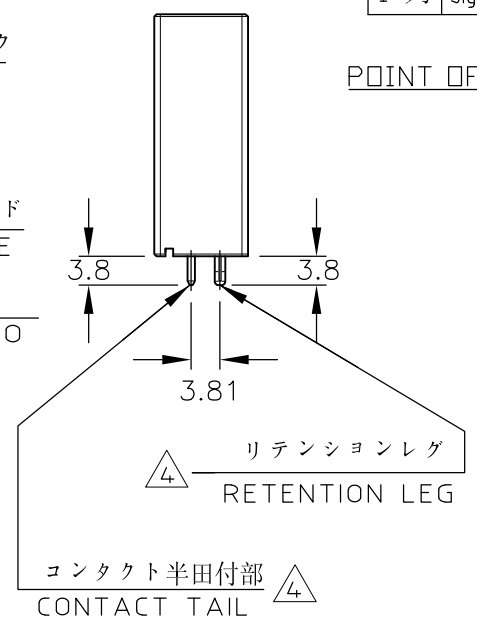


SECT "A" - "A"  
 (SCALE:2-1)



		回路番号		
		1	2	3
1 列	①	①	①	②
		Signal	Signal	Ground

POINT OF SEQUENTIAL



注記

- 材料 ハウジング: ガラス入り熱可塑性ポリエステル樹脂(94V-0)  
 タブコンタクト: 銅合金  
 リテンションレグ: 黄銅
- めっき: コンタクト全面Ni下地  
 接触部 0.38μm MIN 金めっき
- めっき: コンタクト全面Ni下地  
 接触部 0.76μm MIN 金めっき
- めっき: リテンションレグとコンタクト半田付部  
 : ニッケル下地の上にスズめっき
- OBSOLETE PARTS: OBSOLETE CIS STREAMLINING PER D.RENAUD/D.SINISI

NOTES

- MATERIAL: HOUSING: GLASS FILED THERMO PLASTIC, POLYESTER(94V-0)  
 TAB CONTACT: COPPER ALLOY  
 RETENTION LEG: BRASS
- FINISH(CONTACT AREA): 0.38μm MIN GOLD PLATING OVER Ni PLATING
- FINISH(CONTACT AREA): 0.76μm MIN GOLD PLATING OVER Ni PLATING
- FINISH(RETENTION LEG): TIN PLATED (CONTACT TAIL) OVER NICKEL

Y		BLACK	9-353082-2	OBSOLETE
X		BLACK	8-353082-2	
KEY TYPE	コンタクトのめっき (FINISH)	色 COLOR	製品番号 (PART NO.)	

THIS DRAWING IS A CONTROLLED DOCUMENT.		DWN K.IKEDA 04JUL1996	TE Connectivity	
		CHK Y.ISHIKAWA 04JUL1996		
		APVD F3 04JUL1996	NAME	
DIMENSIONS: mm		PRODUCT SPEC 108-5453	SINGLE ROW HEADER ASSY 3P V-TYPE DYNAMIC D-5200S	
TOLERANCES UNLESS OTHERWISE SPECIFIED:		APPLICATION SPEC 114-5206	RESTRICTED TO	
0 PLC ± 10 ± 0.3 1 PLC ± 30 > 10 ± 0.35 2 PLC ± 100 > 30 ± 0.4 3 PLC ± 4 PLC ANGLES ± 3°		WEIGHT	SIZE A3	CAGE CODE 00779
MATERIAL SEE NOTE		FINISH SEE NOTE	DRAWING NO C-353082	
		CUSTOMER DRAWING	SCALE 1:1	SHEET 2 OF 2
			REV F3	