
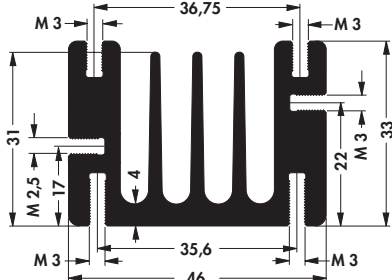
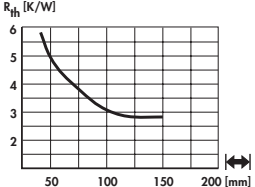

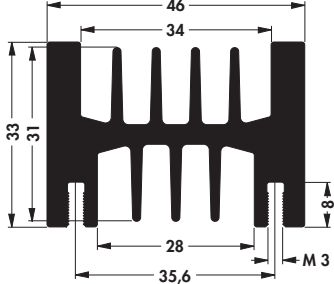
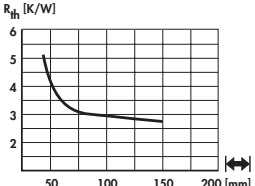


Extruded heatsinks for PCB mounting

Heatsinks for printed circuit boards

- matching cylindrical screws according to DIN 84 with zinc coated surface
- M 3 thread diameter: 2.90 ... 2.94 mm (**art. no.: SZ M 3 x 8**)
- screw-in solder pin M 3 (**art. no.: ELS 3**)

<p>art. no.</p> <p>SK 68 ...</p>			
<p>art. no.</p> <p>SK 112 ...</p>			
<p>please indicate: ... \longleftrightarrow 37.5 50 75 94 100 1000 mm</p>			

please note: profile threads → A 5