
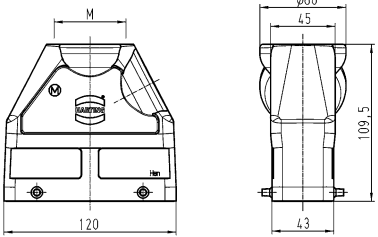
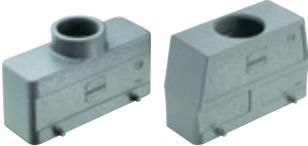
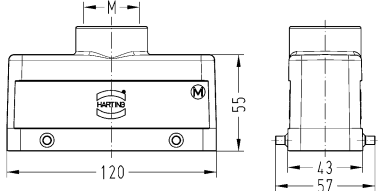
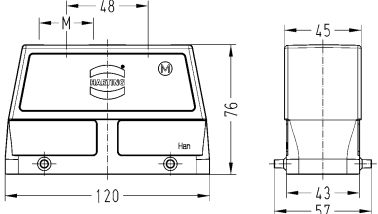

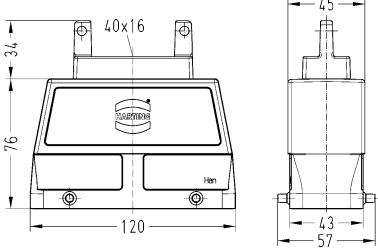



HARTING standard hoods and housings for industrial connectors
Double locking lever

Identification	Cable entry	Part number		Drawing (dimensions in mm)
		Low construction	High construction	
Han® B , Hoods, Special type, Top entry 	1x M50		19 30 024 0429	
Han® B , Hoods, Top entry 	1x M32 1x M40 2x M32	19 30 024 1422	19 30 024 0427 19 30 024 0428 19 30 024 0467	 
Han® B , Hoods, Flat cable entry, Top entry 			09 30 024 4411	
Han® B , Hoods, Special type, Side entry 	1x M50		19 30 024 0529	