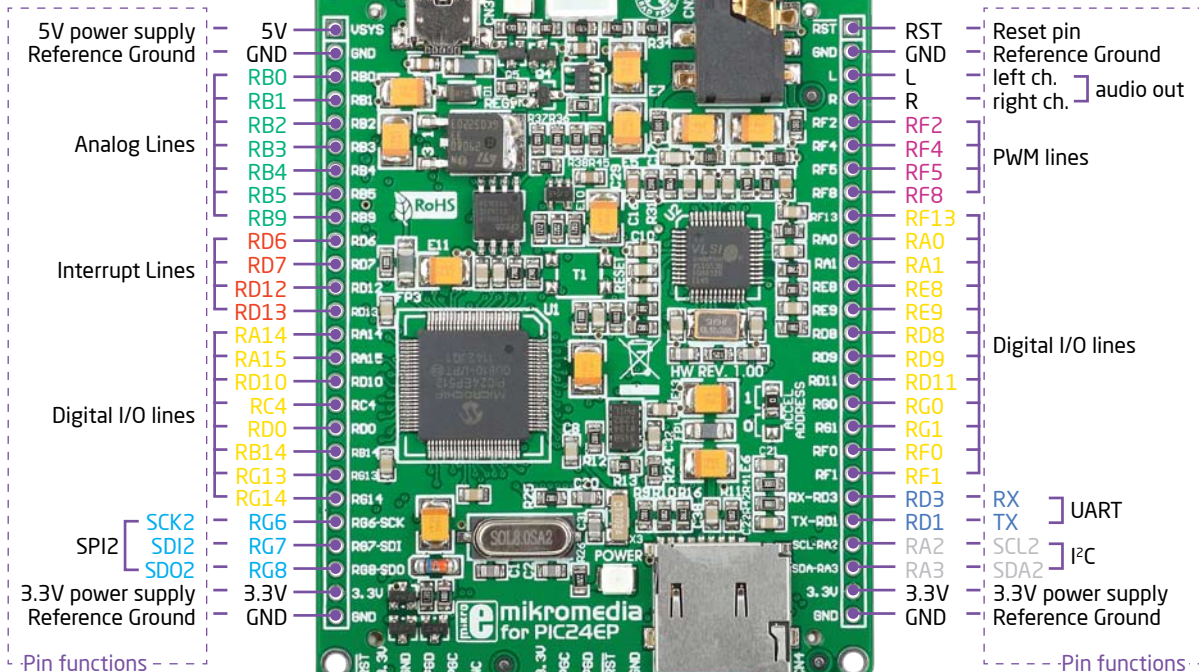
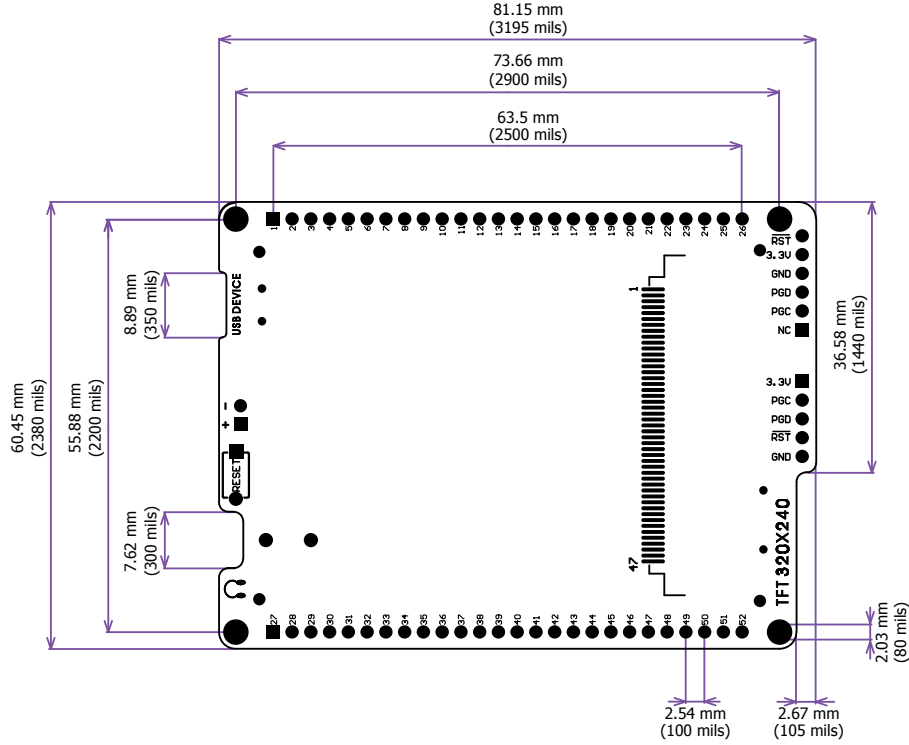


# mikromedia for PIC24EP® - pinout



■ Digital lines 
 ■ Analog Lines 
 ■ Interrupt Lines 
 ■ SPI Lines 
 ■ I2C Lines 
 ■ UART lines 
 ■ PWM lines

# mikromedia for PIC24EP® - Board dimensions



mikromedia for PIC24EP Pinout  
ver. 1.00

