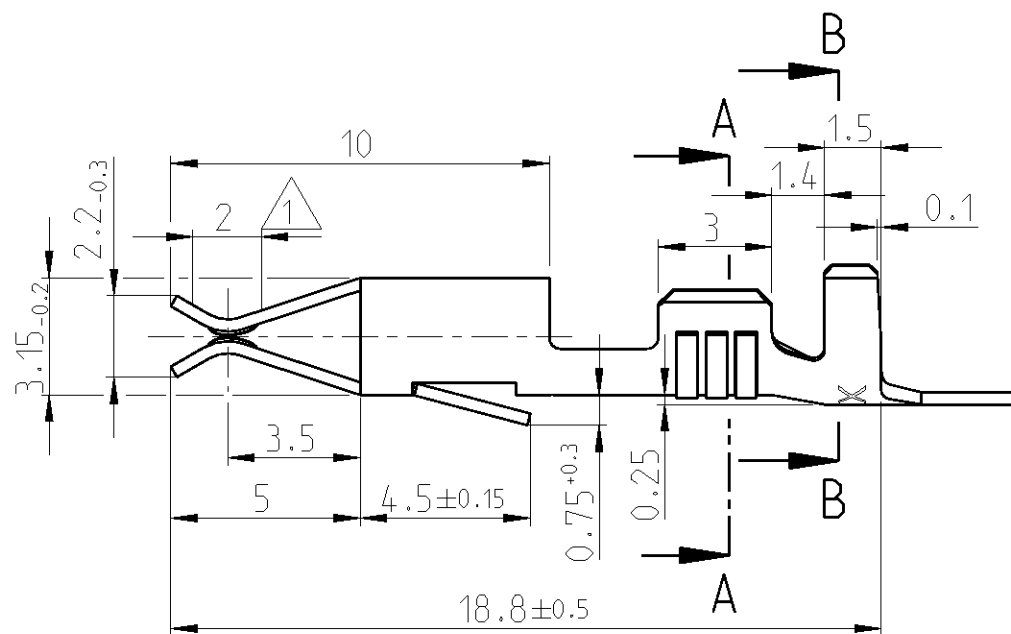
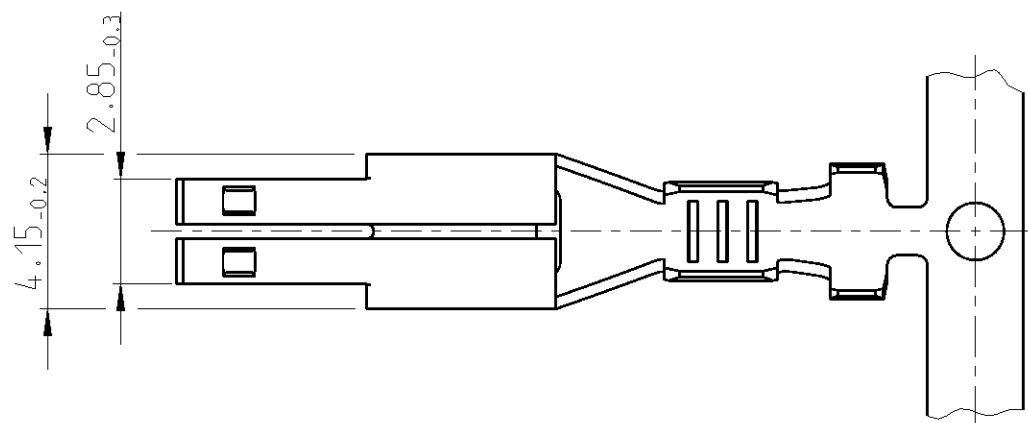


LOC	DIST	REVISIONS					
		P	LTR	DESCRIPTION	DATE	DWN	APVD
A1	-		F2	REVISED BY ECO-11-005294	06APR2011	HMR	-
			F3	New CAD drawing created.	20JUN2013	Kirs.	Eder



NOTES
Bemerkungen

- △1 IN CRIMP AREA TIN PLATED
Im Crimpbereich verzinkt
- △2 CONTACT BODY: PRE SILVER min. 0.8 µm
CONTACT AREA: PRE SILVER min. 3 µm
Kontaktkoerper: vorversilbert min. 0.8 µm
Kontaktzone: vorversilvert min. 3 µm



CONDUCTOR CROSS-SECTION IN mm²
Leitungsquerschnitt in mm²

SINGLE CONNECTION Einzelanschlag	0.35	0.50	0.75	1.00	1.50	2.00
0.35	X	X				
0.50	X	X	X			
0.75	X					
1.00	X					
1.50						
2.00						

WIRE SIZE RANGE: 0.5-1.0mm²
Drahtgroessenbereich: 0.5-1.0mm²

CRIMPING CONDUCTOR: FLKY WIRE
CONDUCTOR: F-CRIMP
INSULATION: OVERLAPPING CRIMP

angeschlagener Leiter: FLKY Leitung
Leiter: F-Crimp
Isolation: Ueberlappungscrimp

THIS DRAWING IS A CONTROLLED DOCUMENT.

DIMENSIONS: mm	TOLERANCES UNLESS OTHERWISE SPECIFIED: ±0.2
	0 PLC 1 PLC 2 PLC 3 PLC 4 PLC ANGLES
MATERIAL	FINISH

DWN	Herth	17JUL1984
CHK	Herth	17JUL1984
APVD	C. Goennel	20JUN2013
PRODUCT SPEC	-	
APPLICATION SPEC	-	
WEIGHT	-	
Customer Drawing		

TE TE Connectivity			
NAME JUNIOR-TIMER CONTACT Junior-Timer Kontakt			
SIZE	CAGE CODE	DRAWING NO	RESTRICTED TO
A3	00779	©-927845	-
SCALE 5:1		SHEET 1 OF 1	REV F3