

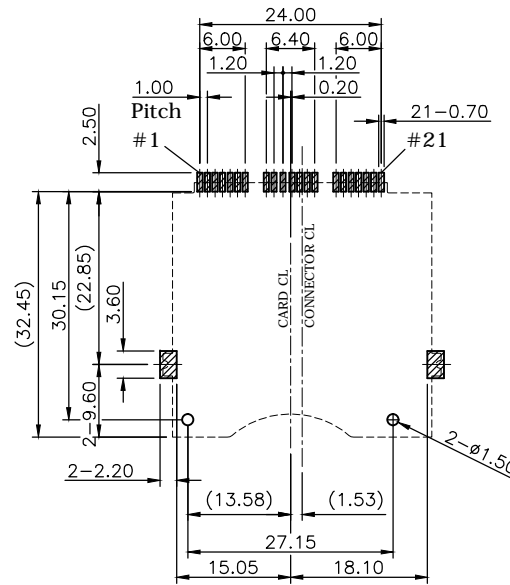
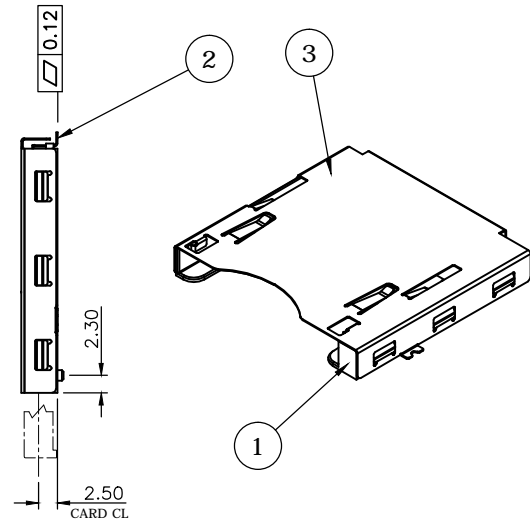
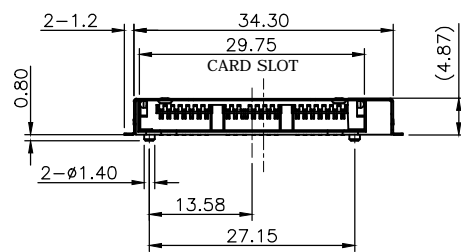
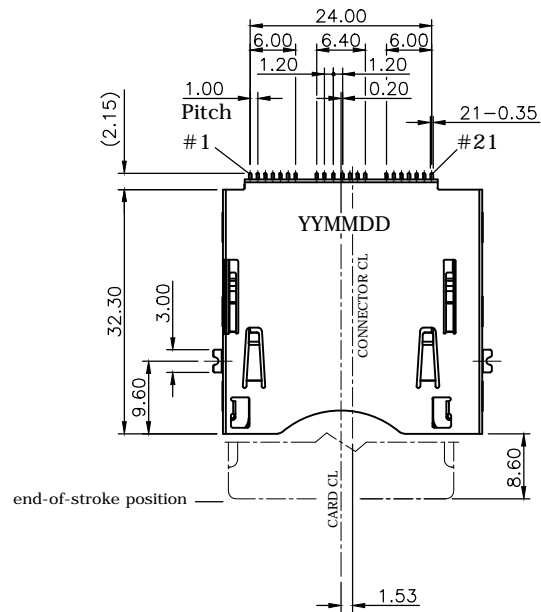
REV.	DESCRIPTION	DRAWN	DATE
1	INITIAL RELEASE	FROS	2018/06/15

### SPECIFICATION:

- ELECTRICAL
  - Current Rating: 0.5A
  - Voltage Rating: 5VDC
  - Contact Resistance: 30mΩ
  - Insulation Resistance: 1000MΩ
  - Dielectric Withstanding Voltage: 500VAC
- ENVIRONMENTAL
  - Operating temperature range: -25°C~+85°C
- SOLDER ABILITY
  - Recommended Reflow Temperature: 260°C

Pin NO.	SIGNAL	Pin NO.	SIGNAL	Pin NO.	SIGNAL
1	GND	8	Reserved	15	GND
2	PERn1	9	PERST#	16	PERn0
3	PERp1	10	+3.3V	17	PERp0
4	GND	11	CLKREQ#	18	GND
5	PETn1	12	INS#	19	PETn0
6	PETp1	13	REFCLK-	20	PETp0
7	Reserved	14	REFCLK+	21	GND

3	SHELL	Stainless Steel	
2	CONTACT	Phosphor Bronze, Gold plating over Nickel	
1	HOUSING	LCP, UL94V-0, Black	
NO. PART NAME		DESCRIPTION	
UNLESS OTHERWISE SPECIFIED TOLERANCE			
UNIT:	DECIMAL	LINEAR	ANGLES
	X.	±0.50	±5°
	X.X	±0.25	±3°
	X.XX	±0.12	±1°
www.attend.com.tw			
DRAWN	Fros	2018/06/15	DRAWN NAME: CFexpress Type B Host Socket Push-Pull Type, 15u"
CHECKED	Tim	2018/06/15	
APPROVED	Ken	2018/06/15	PRODUCT NO. 101M-TE20
SCALE	SHEET	SIZE	FILE NAME



RECOMMENDED LAYOUT(TOP VIEW)  
GENERAL TOLERANCE: ±0.05mm