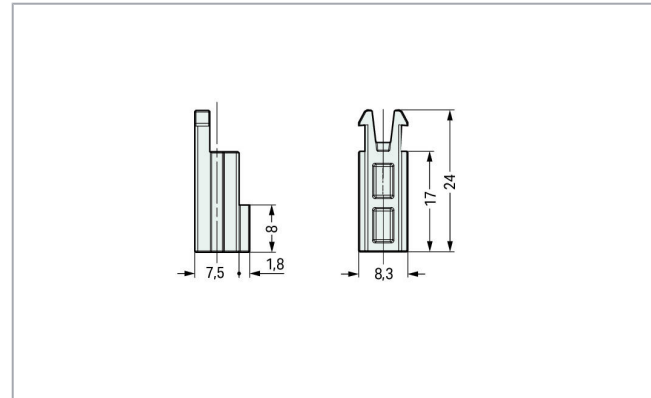


Data sheet | Item number: 831-321

Lockout pin; 2 parts; light gray

www.wago.com/831-321



RoHS Compliant

[BOMcheck.net](https://www.bomcheck.net)

Color:

Data

Physical data

Width	8.3 mm / 0.327 inch
Height	9.3 mm / 0.366 inch
Depth	24 mm / 0.945 inch

Mechanical data

Mounting type	Snap-in
Mounting type	Feed-through mounting

Material data

Color	light gray
Weight	0.8 g

Commercial data

Packaging type	BOX
Country of origin	DE

Subject to changes. Please also observe the further product documentation!

WAGO Kontakttechnik GmbH & Co. KG
Hansastr. 27
32423 Minden
Phone: +49571 887-0 | Fax: +49571 887-169
Email: info.de@wago.com | Web: www.wago.com

Do you have any questions about our products?
We are always happy to take your call at +49 (571) 887-44222.

GTIN	4055143564939
Customs tariff number	39269097900

Downloads

Documentation

Additional Information

Technical explanations	3. 4. 2019	pdf 2.0 MB	Download
------------------------	------------	---------------	----------

CAD/CAE-Data

CAD data

2D/3D Models 831-321	URL	Download
----------------------	-----	----------

CAE data

ZUKEN Portal 831-321	URL	Download
----------------------	-----	----------

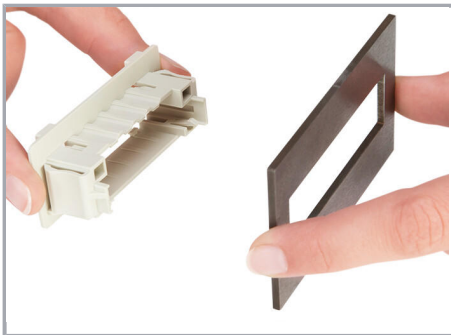
Environmental Product Compliance

Compliance Search

Environmental Product Compliance 831-321 Lockout pin; 2 parts; light gray	URL	Download
--	-----	----------

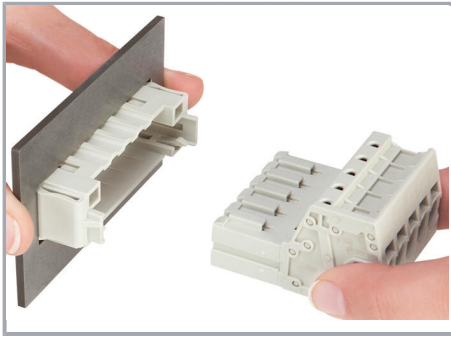
Installation Notes

Installation

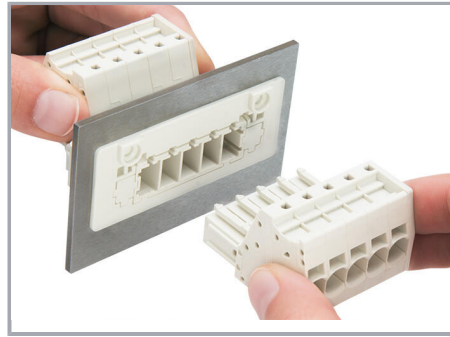


Insert the snap-in frame into the cutout.

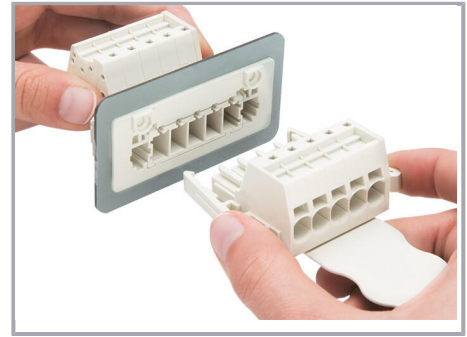
Subject to changes. Please also observe the further product documentation!



Insert the male connector into the snap-in frame.



Inserting a female connector without lateral locking levers – lockout pins are inserted on both sides of the snap-in frame.



Inserting a female connector equipped with lateral locking levers.

Subject to changes. Please also observe the further product documentation!