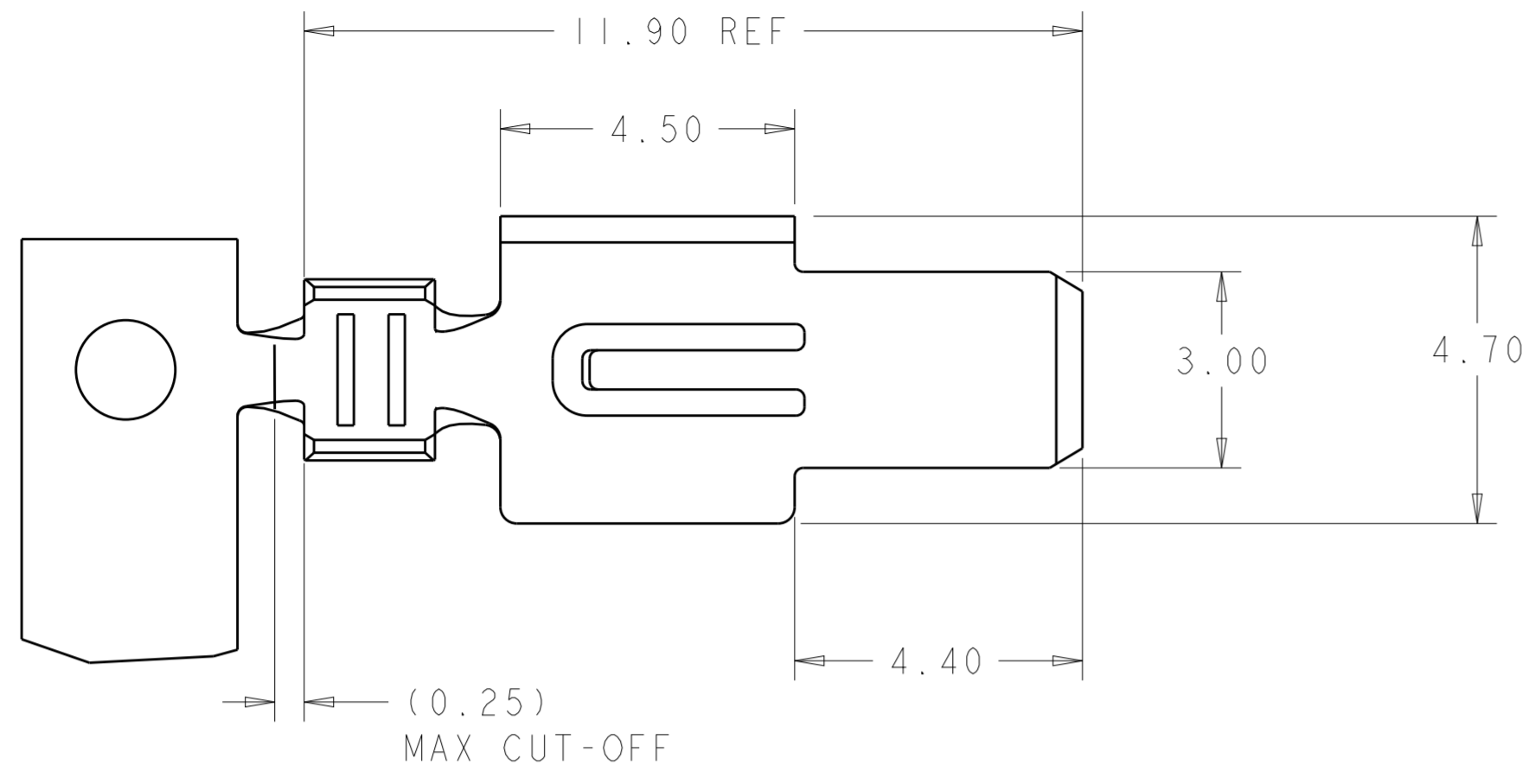


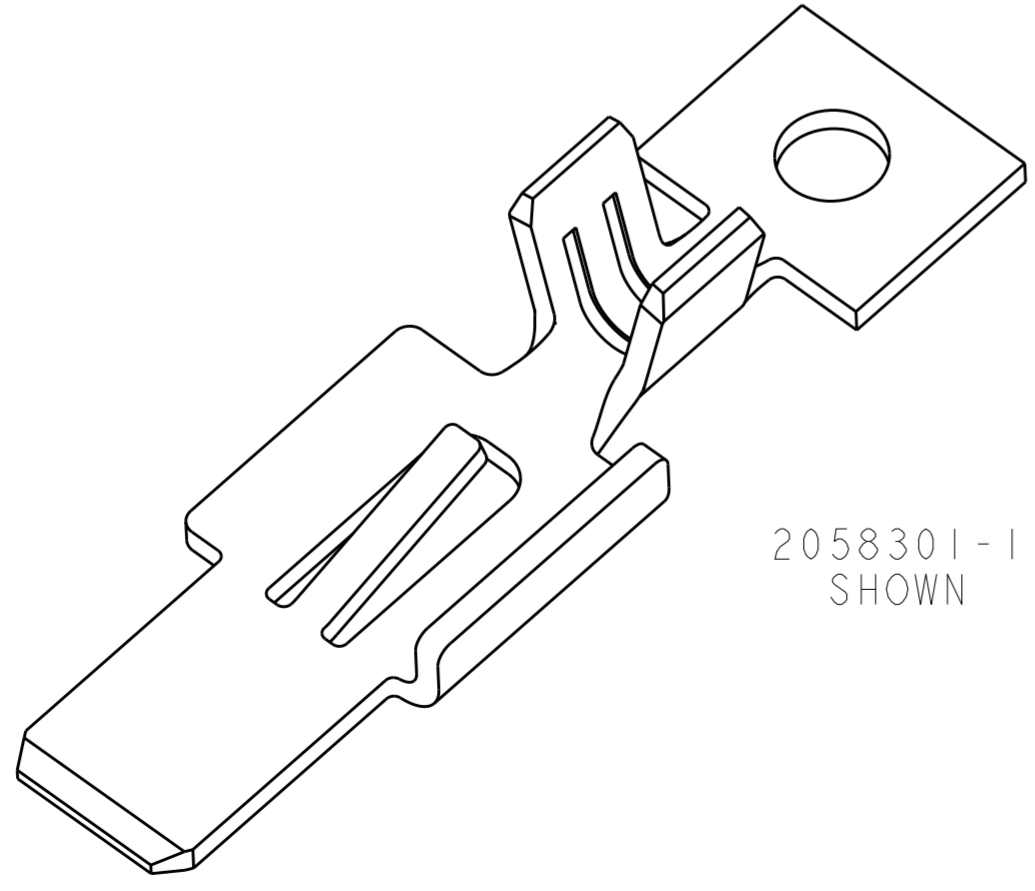
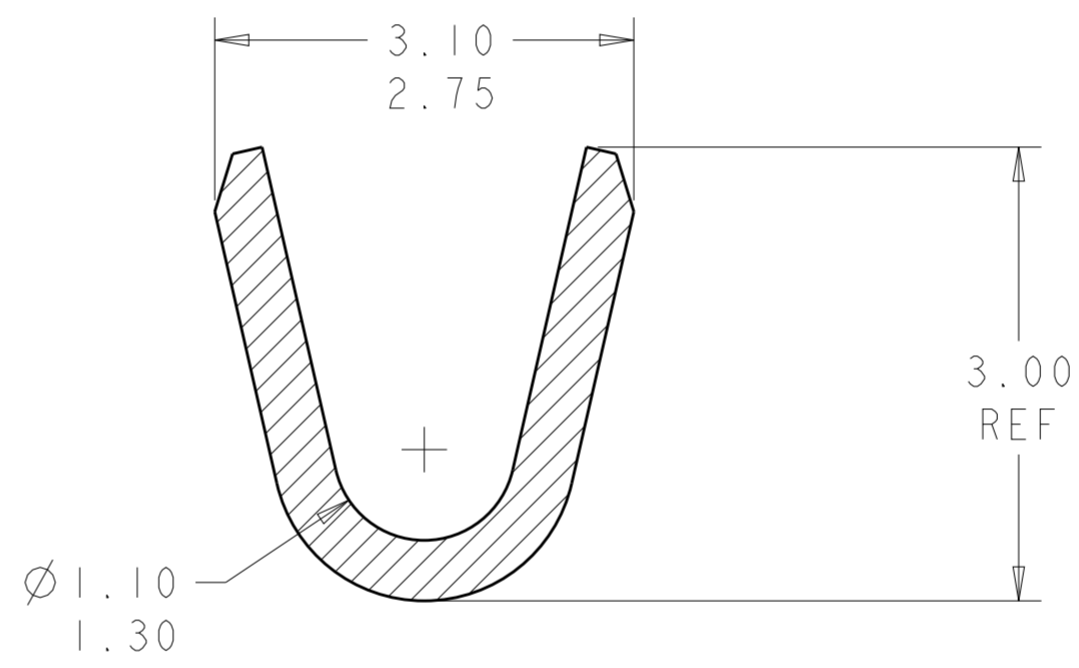
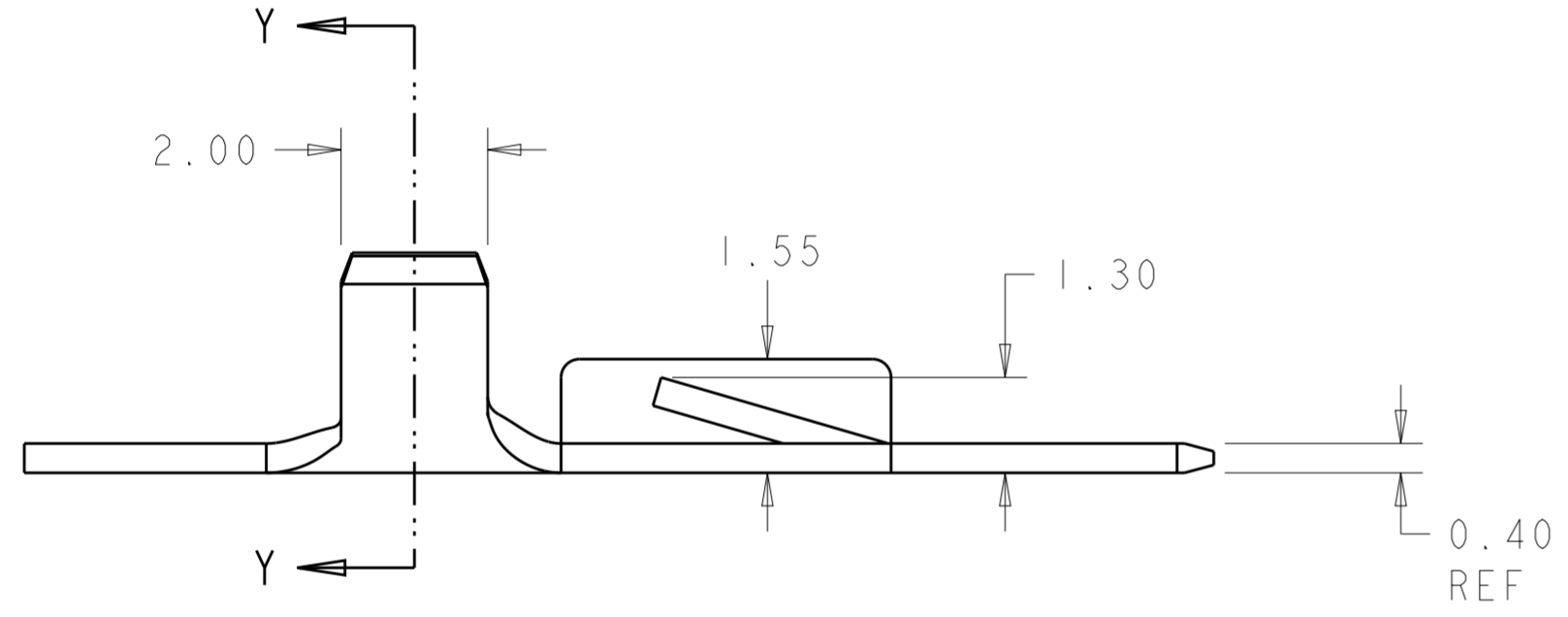
THIS DRAWING IS UNPUBLISHED. RELEASED FOR PUBLICATION 20
 © COPYRIGHT 20 BY - ALL RIGHTS RESERVED.

REVISIONS					
P	LTR	DESCRIPTION	DATE	DWN	APVD
A1		REVISED PER ECR-09-010783	13MAY2009	HMR	DD
A2		REVISED PER ECR-16-006474	10MAY2016	RS	DD



NOTES:

- 1. MATERIALS AND FINISH:
- COPPER ALLOY, FINISH: TIN
- 2. MUST COMPLY WITH DIRECTIVE 2002/95/EC (ROHS)
- 3. THIS PRODUCT HAS NOT COMPLETED VALIDATION TESTING
- 4. WIRE RANGE : 18-22 AWG, STRANDED
- 5. MAX INSULATION DIA: 2.03
- 6. RECOMMENDED TE HOUSING P/N X-2058299-X



LOOSE PIECE	2058301-2
ON STRIP	2058301-1
REMARKS	PART NO.

THIS DRAWING IS A CONTROLLED DOCUMENT.		DWN S FISHER 07MAY2008	STE TE Connectivity	
		CHK R NARANG 07MAY2008		
DIMENSIONS: mm		APVD -	NAME BLADE CONTACT WIRE TO BOARD CONNECTOR	
TOLERANCES UNLESS OTHERWISE SPECIFIED: 0 PLC ± 1 PLC ±0.2 2 PLC ±0.13 3 PLC ± 4 PLC ± ANGLES ± FINISH		PRODUCT SPEC 108-2387	RESTRICTED TO -	
MATERIAL		APPLICATION SPEC 114-13252	SIZE A2	CAGE CODE 00779
		WEIGHT -	DRAWING NO C-2058301	REV A2
		CUSTOMER DRAWING	SCALE 10:1	SHEET OF 1