

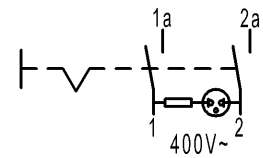
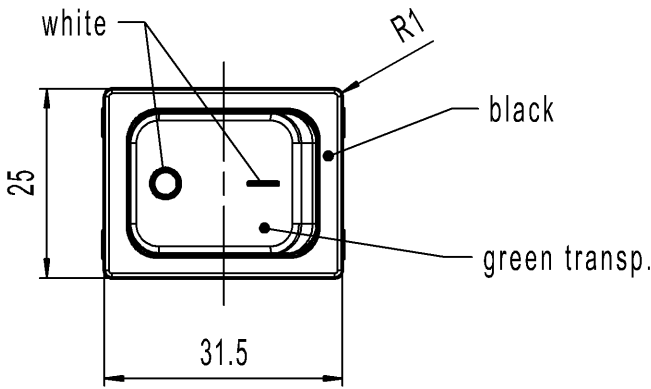
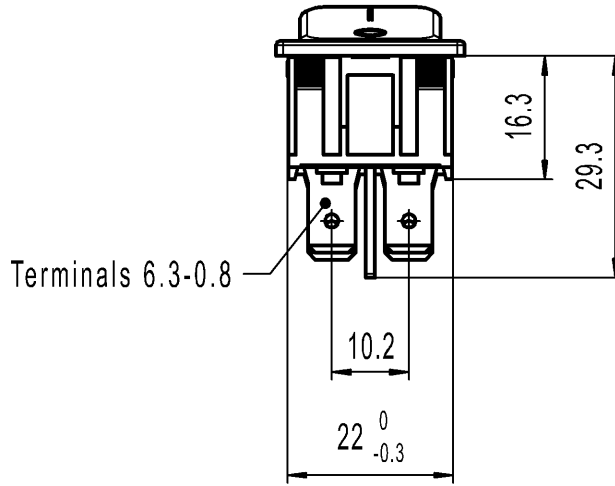
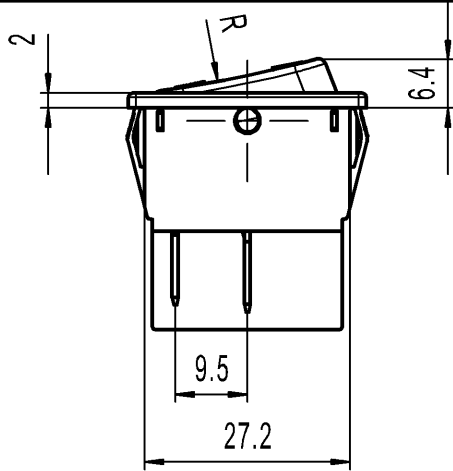
CONFIDENTIAL

VERTRAULICH

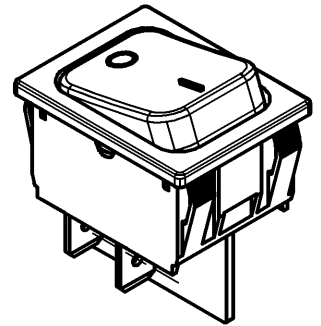
Alle Rechte bei Marquardt, auch fuer den Fall von Schutzrechtsanmeldungen. Jede Veruegungsbefugnis, wie Kopier- und Weitergaberecht, bei uns.

THIS DRAWING IS THE EXCLUSIVE PROPERTY OF MARQUARDT. WITHOUT THEIR CONSENT IT MAY NOT BE REPRODUCED OR GIVEN TO THIRD PARTIES.

	1	2	3	4	
A	Recommended cut-out for snap-in fixing (edge opposite to snap-in direction)		wall thickness	length of cut-out	width of cut-out
	0.75 to 1.25		30 ^{-0.1}	22 ^{+0.2}	
	1.25 to 2		30.2 ^{-0.1}	22 ^{+0.2}	
	2 to 3		30.6 ^{-0.1}	22 ^{+0.2}	

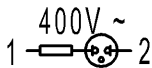


DPST
Neon lamp with Rv for 400V AC
Suitable for appliances of class II



Marking:

Ⓜ
1835.
10(8)A 400V AC 5E4
20(4)A 250V AC 1E4
T80/55



Code of manufacture:
place/year/week

-	-	-	1835.3419-XX
Figure	Type	Customer No.	Art.No.-PI
Shape and location	Angle ± 2°	Sheet 01	Ident. K
	Edge tolerance	Format DIN A4	Document number 18353419
	Length	Projection	Index f
	Radii	Scale 1:1	Appliance Switch
		All dimensions are in millimetres	
f	143603	System NX V1899	
e	133419	Replacement of	
d	64507	Zg.gl.Nr.v.06.04.2000	
c	43770		
Index	MEC-No.	Date (YYYY-MM-DD)	Edited by