

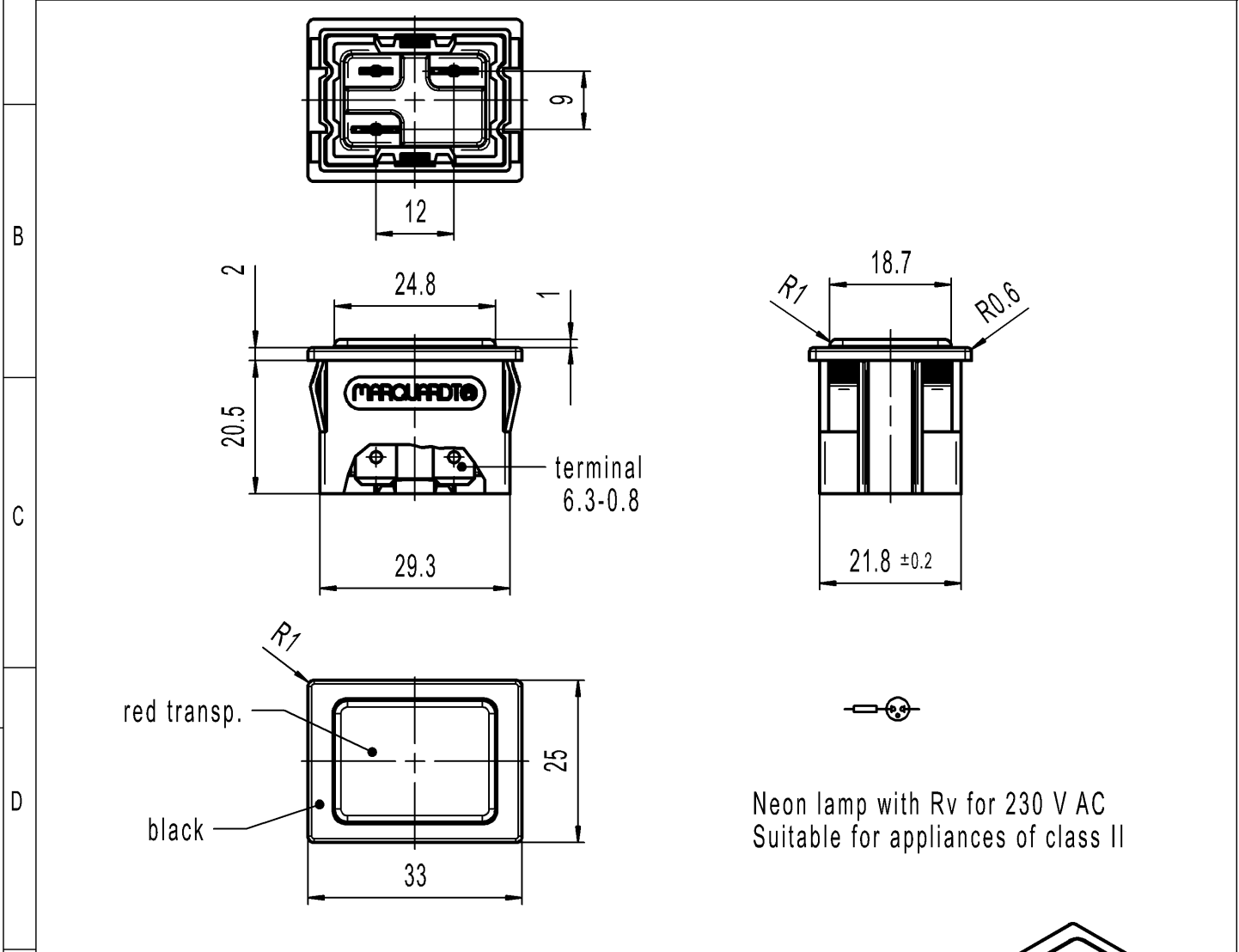
THIS DRAWING IS THE EXCLUSIVE PROPERTY OF MARQUARDT. WITHOUT THEIR CONSENT IT MAY NOT BE REPRODUCED OR GIVEN TO THIRD PARTIES.

CONFIDENTIAL

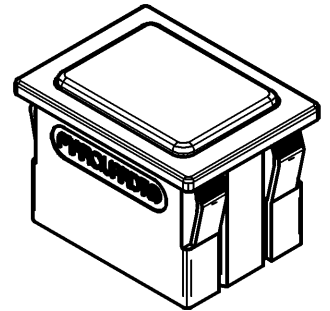
VERTRAULICH

Alle Rechte bei Marquardt, auch fuer den Fall von Schutzrechtsanmeldungen. Jede Verfuugungsbefugnis, wie Kopier- und Weitergaberecht, bei uns.

A	recommended cut-out for snap-in fixing (edge opposite to snap-in direction)	1	2	3	4
		0.75 to 1	>1 to 1.5	>1.5 to 3	
		wall thickness	length of cut-out	width of cut-out	
		0.75 to 1	30 +0.1	22.2 +0.2	
		>1 to 1.5	30.2 +0.1	22.2 +0.2	
		>1.5 to 3	30.4 +0.1	22.2 +0.2	



Neon lamp with Rv for 230 V AC
Suitable for appliances of class II



Marking
MARQUARDT[®]
1667.
230V~ T85°C

Code of manufacture: place/year/week

-	-	-	1667.0101-XX																		
Figure	Type	Customer Part No.	Art.No.-PI																		
Shape and location	Angle ± 2°	Sheet 01	Ident. K																		
	Edge tolerance	Format DIN A4	Document number 16670101																		
	<table border="1"> <tr> <th>Length</th> <th>Radial</th> </tr> <tr> <td>0-6 ± 0.2</td> <td>± 0.2</td> </tr> <tr> <td>>6-15 ± 0.4</td> <td>±</td> </tr> <tr> <td>>15-30 ± 0.4</td> <td>±</td> </tr> <tr> <td>>30-70 ± 0.6</td> <td>±</td> </tr> <tr> <td>±</td> <td>±</td> </tr> <tr> <td>±</td> <td>±</td> </tr> <tr> <td>±</td> <td>±</td> </tr> <tr> <td>±</td> <td>±</td> </tr> </table>	Length	Radial	0-6 ± 0.2	± 0.2	>6-15 ± 0.4	±	>15-30 ± 0.4	±	>30-70 ± 0.6	±	±	±	±	±	±	±	±	±	Projection Scale 1:1	Index e
	Length	Radial																			
0-6 ± 0.2	± 0.2																				
>6-15 ± 0.4	±																				
>15-30 ± 0.4	±																				
>30-70 ± 0.6	±																				
±	±																				
±	±																				
±	±																				
±	±																				
		All dimensions are in millimetres	Pilot Light																		
e	137245	2021-04-30	JOSHIO																		
d	32547	2002-06-06	SIG																		
c	22752	1994-05-04	PA																		
Index	MEC-No.	Date (YYYY-MM-DD)	Edited by																		
		System NX V1872	Replacement of																		
		Zg.gl.Nr.v.06.06.2002																			
			MARQUARDT																		