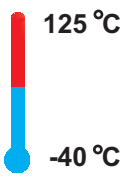
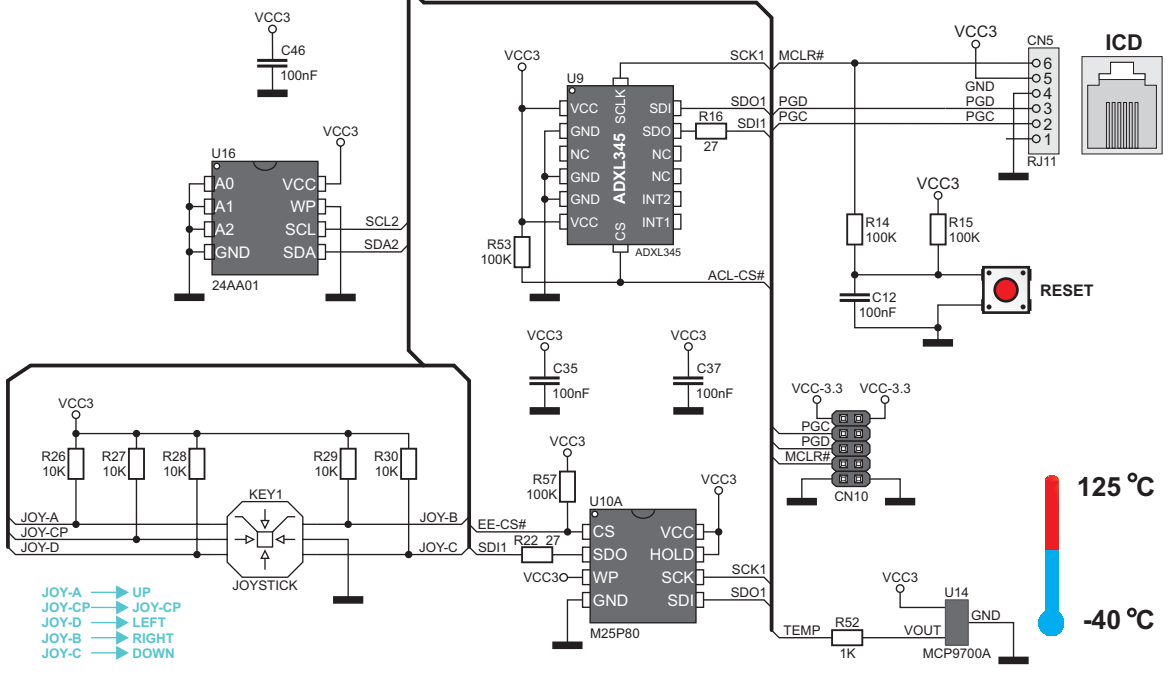


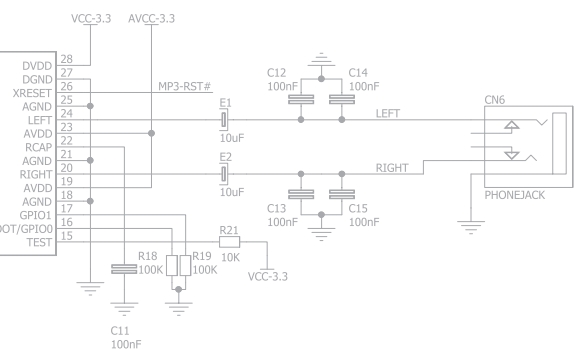
TFT 320x240 display



HW REV. 1.01  
Copyright 2003-2011 by MikroElektronika. All rights reserved

MikroElektronika assumes no responsibility or liability for any errors or inaccuracies that may appear in the present document. Specification and information contained in the present schematic are subject to change at any time without notice.

# schematic



# multimedia

for PIC32MX7

Compact development system rich with on-board peripherals for all-round multimedia development on PIC32MX795F512L

