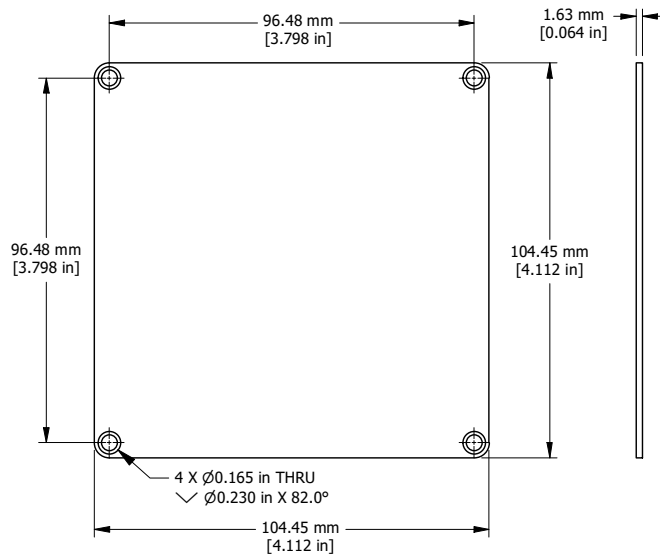
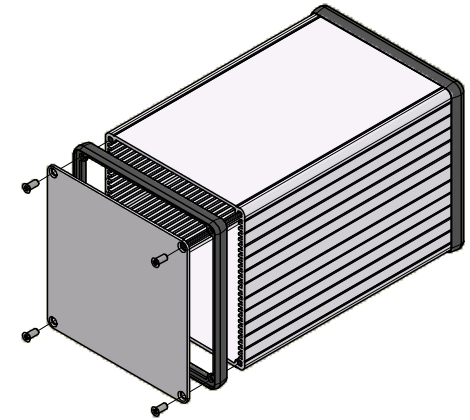


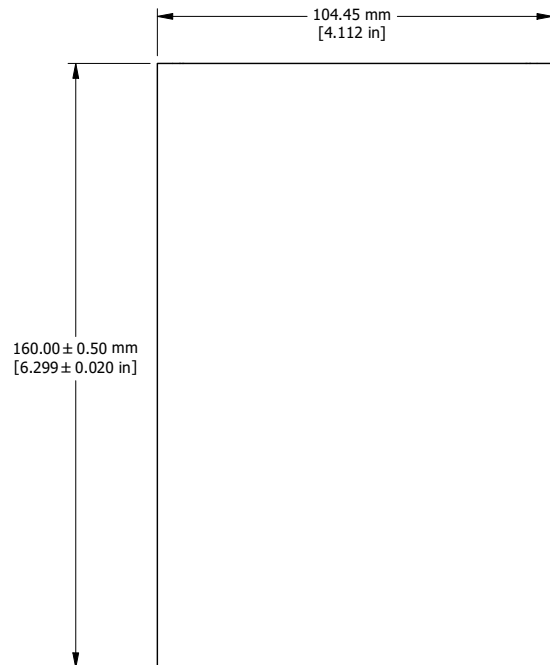
EXTRUSION



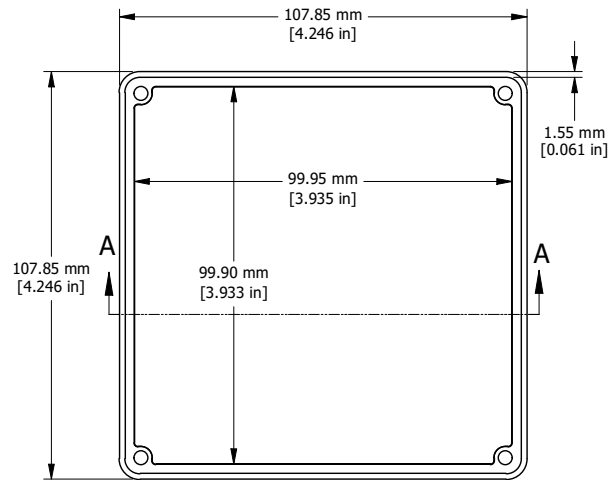
END PLATE



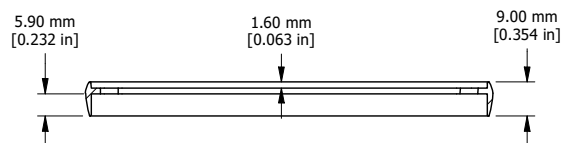
ISOMETRIC METRIC



EXTRUSION DESIGNED FOR 100MM WIDE PC BOARD



OPEN BEZEL



SECTION A-A

Enclosures can be Factory Modified (Milling, Drilling, Printing etc.)
Solid models of this enclosure available in STEP or IGES.
Contact Factory mjm@hammondmfg.com

NOTE	
Purchased assembly includes box, plastic bezels, end panels, #6 Taptight screws and self adhesive rubber feet.	
Box made from Extruded Aluminum 6063.	
Bezels made with ABS.	

1455NS1601	
PART NUMBERS	
Clear Anodized	1455NS1601
Black Anodized	1455NS1601BK
ACCESSORIES	
See website for accessories.	

**HAMMOND
MANUFACTURING™**
1455NS1601
www.hammondmfg.com